



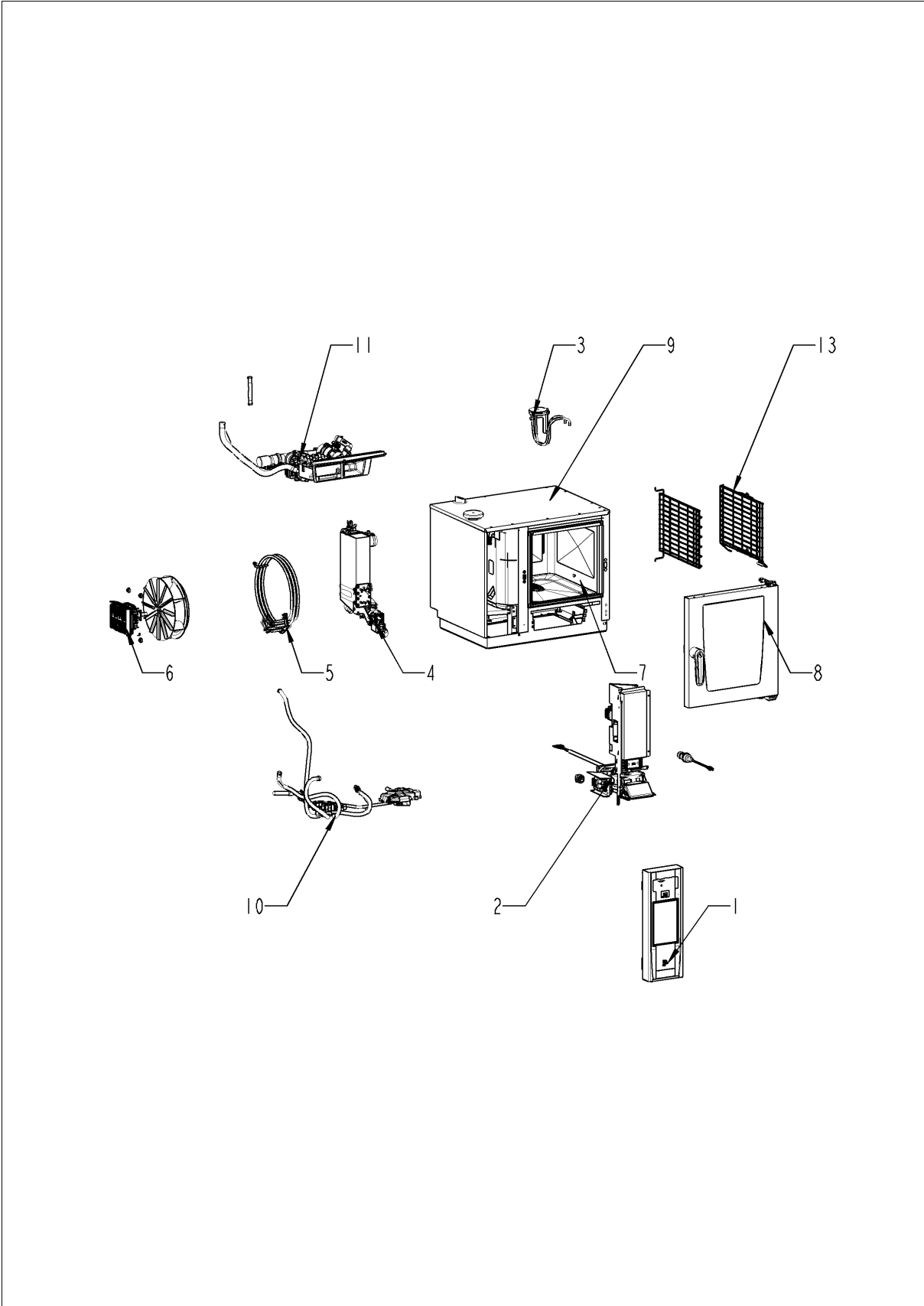
Service part catalogue

iCombi® ab 03/2020 XS - 6 x 2/3 Gastronorm

E60SJ2007



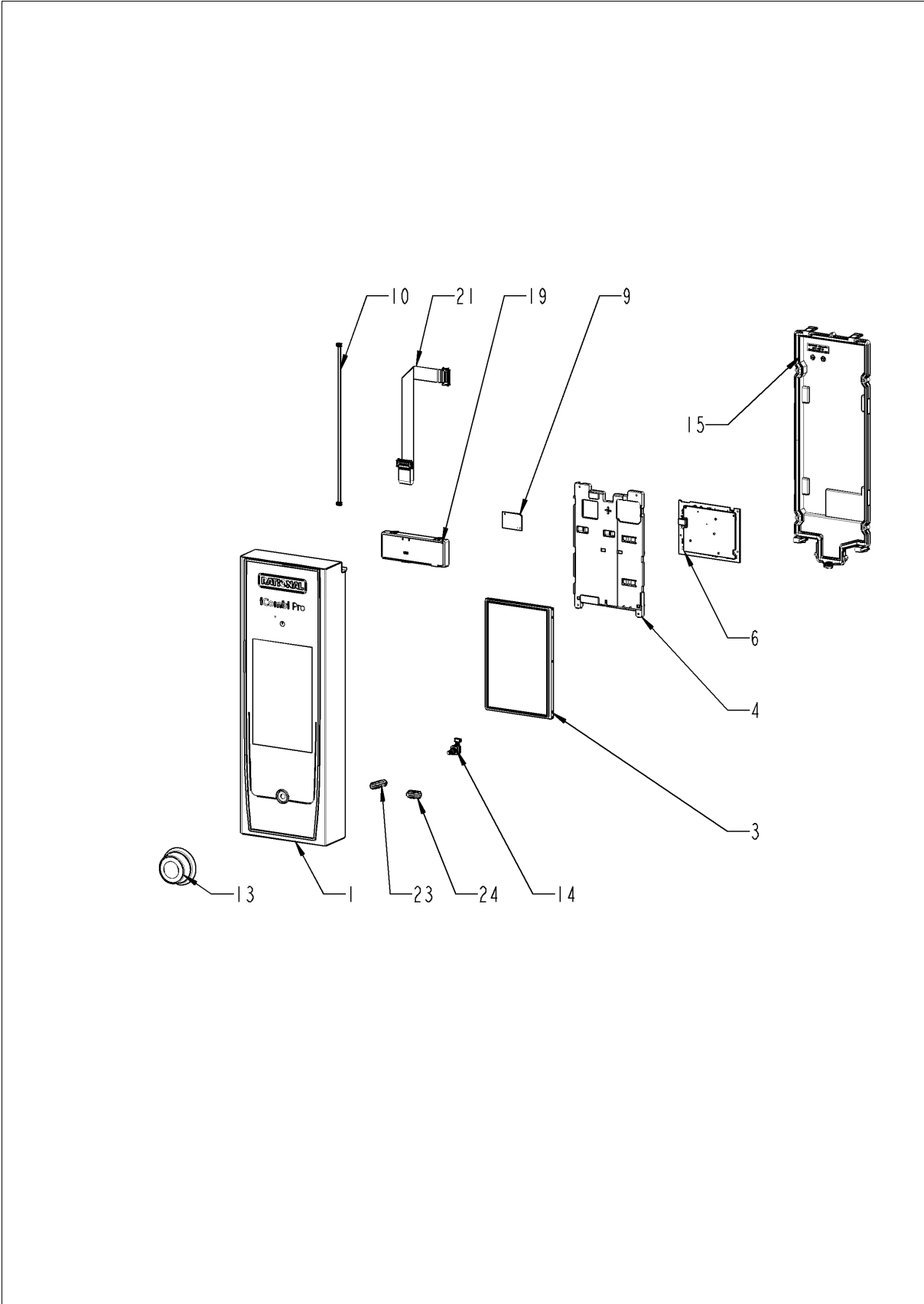
Overview



Overview

Pos.	Assembly	Page
1	Control panel	4
2	Electrical installation	6
3	ClimaPlus	12
4	Steam generator	14
5	Hot air heating	16
6	Motor and fan wheel	18
7	Interior cabinet	20
8	Door	22
9	Exterior cabinet	26
10	Water	30
11	CleanJet + Care	32
13	Standard accessory	34

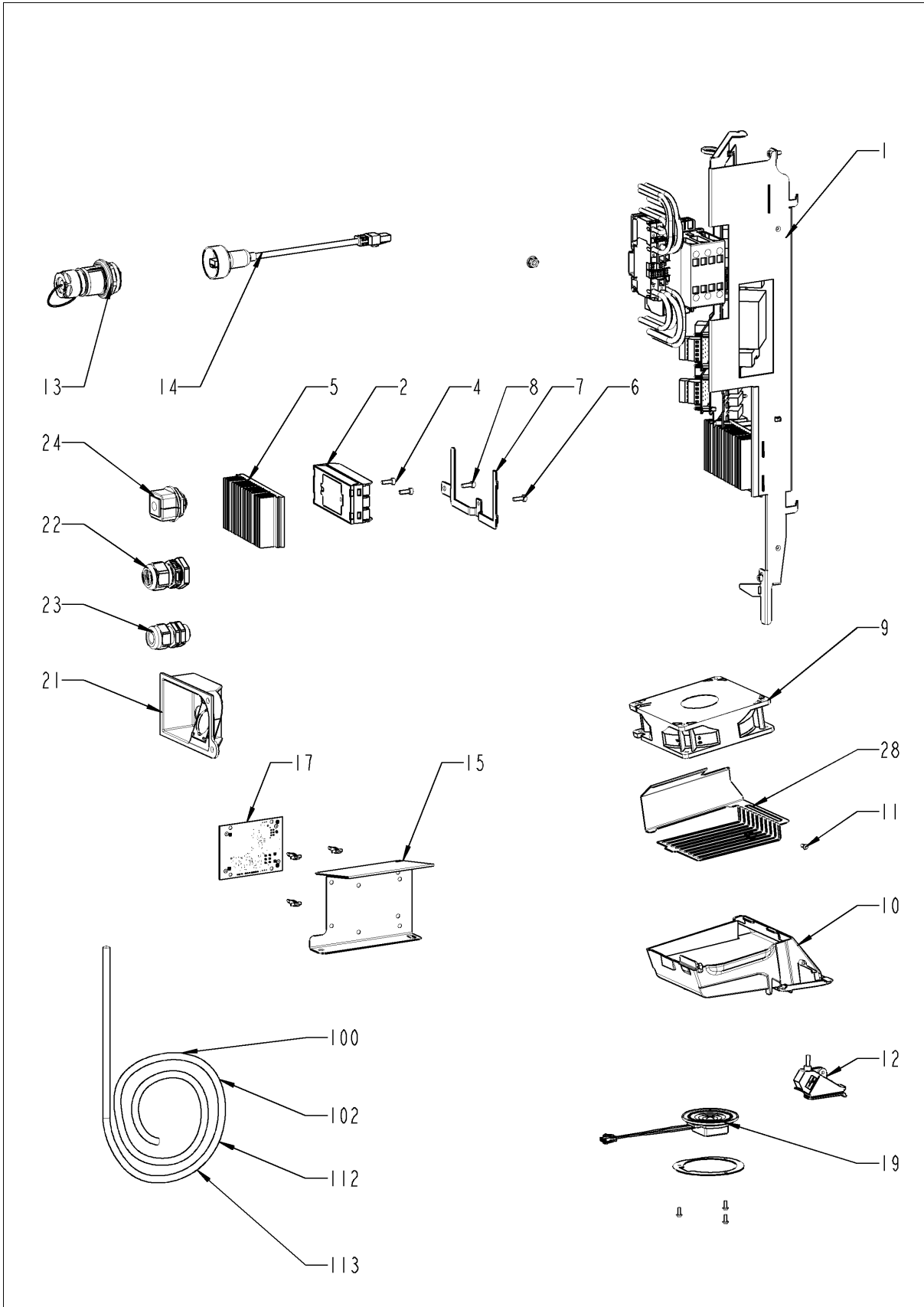
Control panel



Control panel

Pos.	Part no.	Description	Qty.
1	87.01.534S	Front panel with overlay *RAT*	1
3	42.00.302P	Operator pcb *TFT*	1
4	16.03.993P	Fixing display / pcb	1
6	42.00.251P	Control pcb (w/o SD-Card)	1
8	42.00.359P	Micro SD card	1
9	42.00.346P	Sensor on / off	1
10	40.06.760P	Cable control pcb - capacitive switch	1
11	40.06.435P	Interface USB	1
12	40.06.410P	Interface cable LAN 2m	1
13	16.03.756P	Dial f. pulse generator	1
14	40.06.037P	Pulse generator	1
15	16.03.929P	Cover f. control pcb w. gasket	1
21	40.06.569P	Cable CPU - TFT	1
23	16.04.319P	Sealing block BUS	1
24	16.04.318P	Sealing block LAN/USB	1

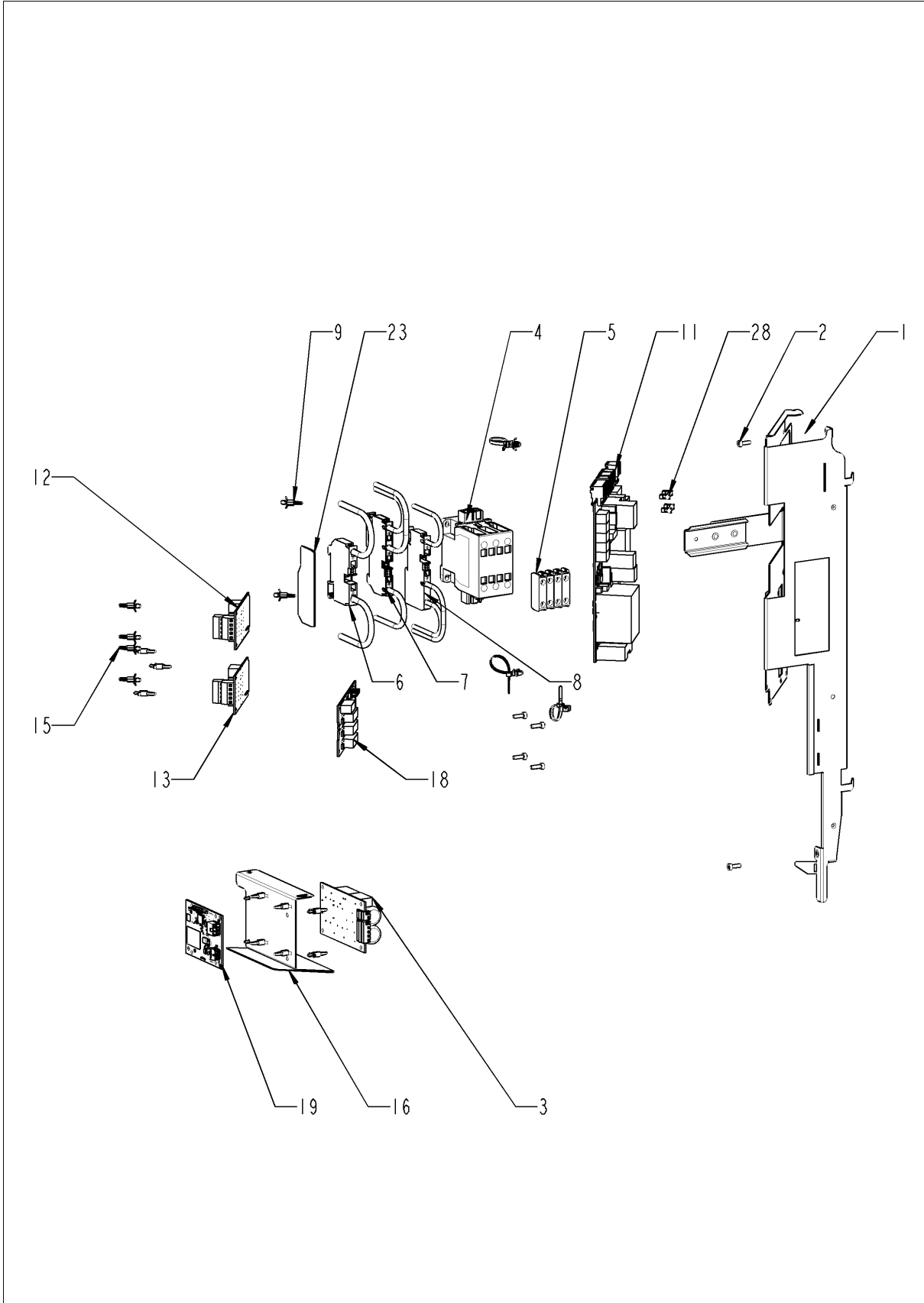
Electrical installation



Electrical installation

Pos.	Part no.	Description	Qty.
1		Electrical installation	1
2	40.05.670P	Solid state relais	1
4	10.01.778P	Pan head screw Torx M4x16	2
5	40.06.051P	Heat sink small Quad-SSR	1
6	10.01.776P	Pan head screw Torx T20 M4x12	1
7	40.06.074P	Mounting device heat sink SSR	1
8	10.01.776P	Pan head screw Torx T20 M4x12	1
9	40.05.993P	Cooling fan	1
10	40.05.016P	Air shaft cpl.	1
11	10.01.776P	Pan head screw Torx T20 M4x12	1
12	40.06.435P	Interface USB	1
13	40.05.509P	Interface LAN IPX6	1
14	40.06.410P	Interface cable LAN 2m	1
15	40.06.425P	Holder for mains filter	1
16	1006.0762P	Hex screw M6x10	1
17	42.00.327P	Bus interface	1
18	40.03.732P	Tie rap 160 mm	18
19	40.06.728P	Loudspeaker K 64 WPTR	1
21	50.01.786S	Cable entry	1
22	40.04.530P	Cable connection M25x1.5	1
23	40.00.320P	Cable connection M20x1.5	1
24	40.04.495P	Cable connection M25 ø5mm *divisible*	1
28	40.06.451P	Grid for fan assembly	1
100	40.06.671P	Cable control harness	1
102	40.06.673P	Cable harness base	1
112	40.05.049P	Power supply cable 3x4mm ² 3m	1
113	40.06.851P	Cable A11-A18	1
123	40.05.858P	Bus cable 1.08m	1
124	40.03.998P	Bus cable 1.15m	1

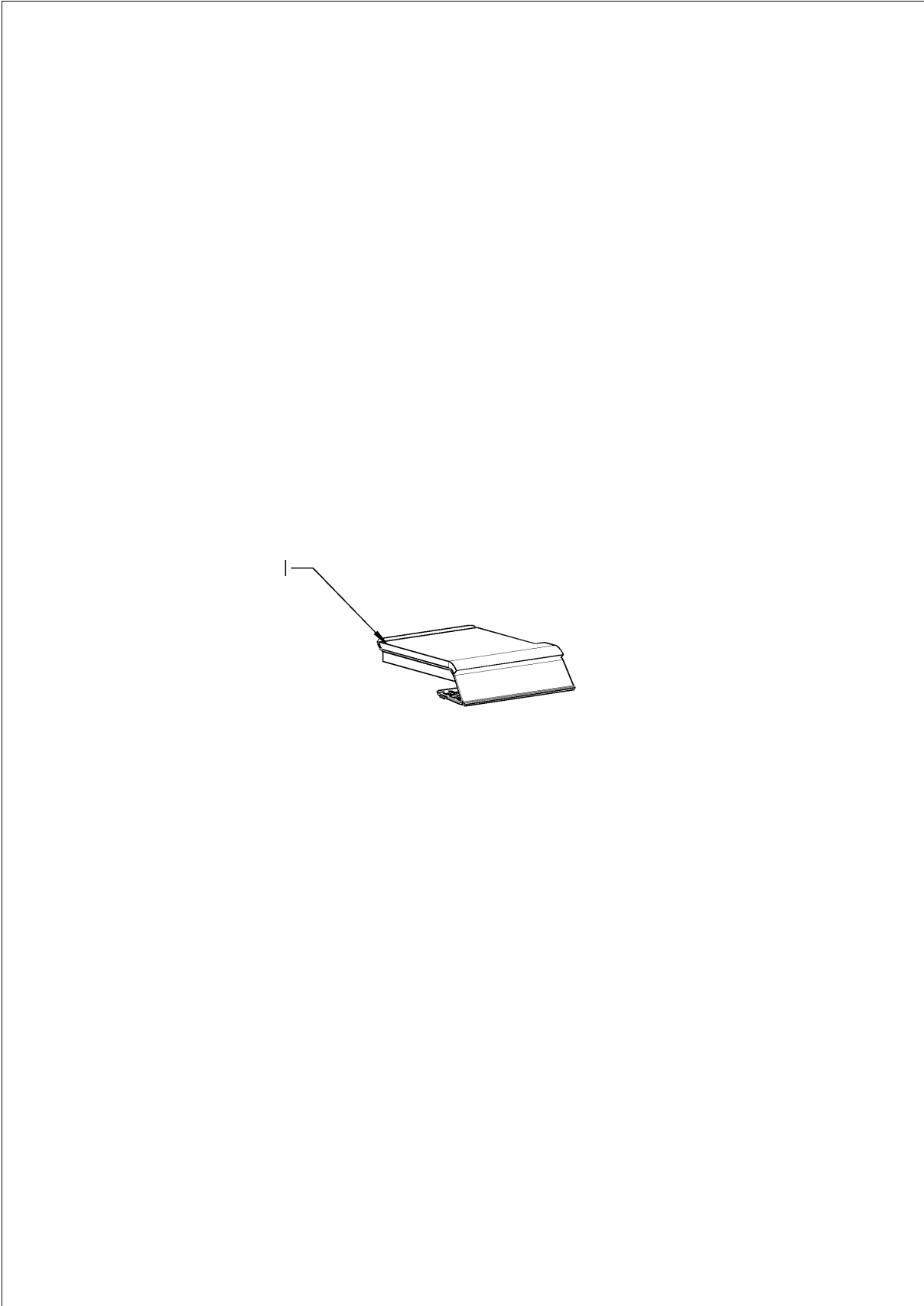
Electrical installation



Electrical installation

Pos.	Part no.	Description	Qty.
1	40.06.370P	Contacteur assembly	1
2	10.01.776P	Pan head screw Torx T20 M4x12	1
3	42.00.322P	Electronic noise filter	1
4	40.06.454P	Contacteur K3-18NBV10 190R T B01 AZ	1
6	40.03.743P	Earth terminal WK4 SL/U	1
7	40.05.277P	Terminal block blue WKFN6/35	1
8	40.05.260P	Terminal block WKFN 6 D1/2/35 grey	1
9	40.03.756P	Fixing clip f. pcb	1
11	42.00.280P	IO-module	1
14	10.00.989P	Rivet with screw	1
15	40.03.756P	Fixing clip f. pcb	1
16	40.06.425P	Holder for mains filter	1
18	42.00.314P	Cleaning PCB	1
19	42.00.327P	Bus interface	1
20	10.01.776P	Pan head screw Torx T20 M4x12	1
21	40.02.512P	Fuse holder 2x6.3A	1
22	4001.0224P	Fuse 6.35x32mm 6.3A	2
23	40.05.279P	End cover APFN 6 D1/2/35	1
28	40.06.767P	Fuse 4A *Typ 5HT 4-R*	1
29	3019.0125P	Fuse 5x20mm	1

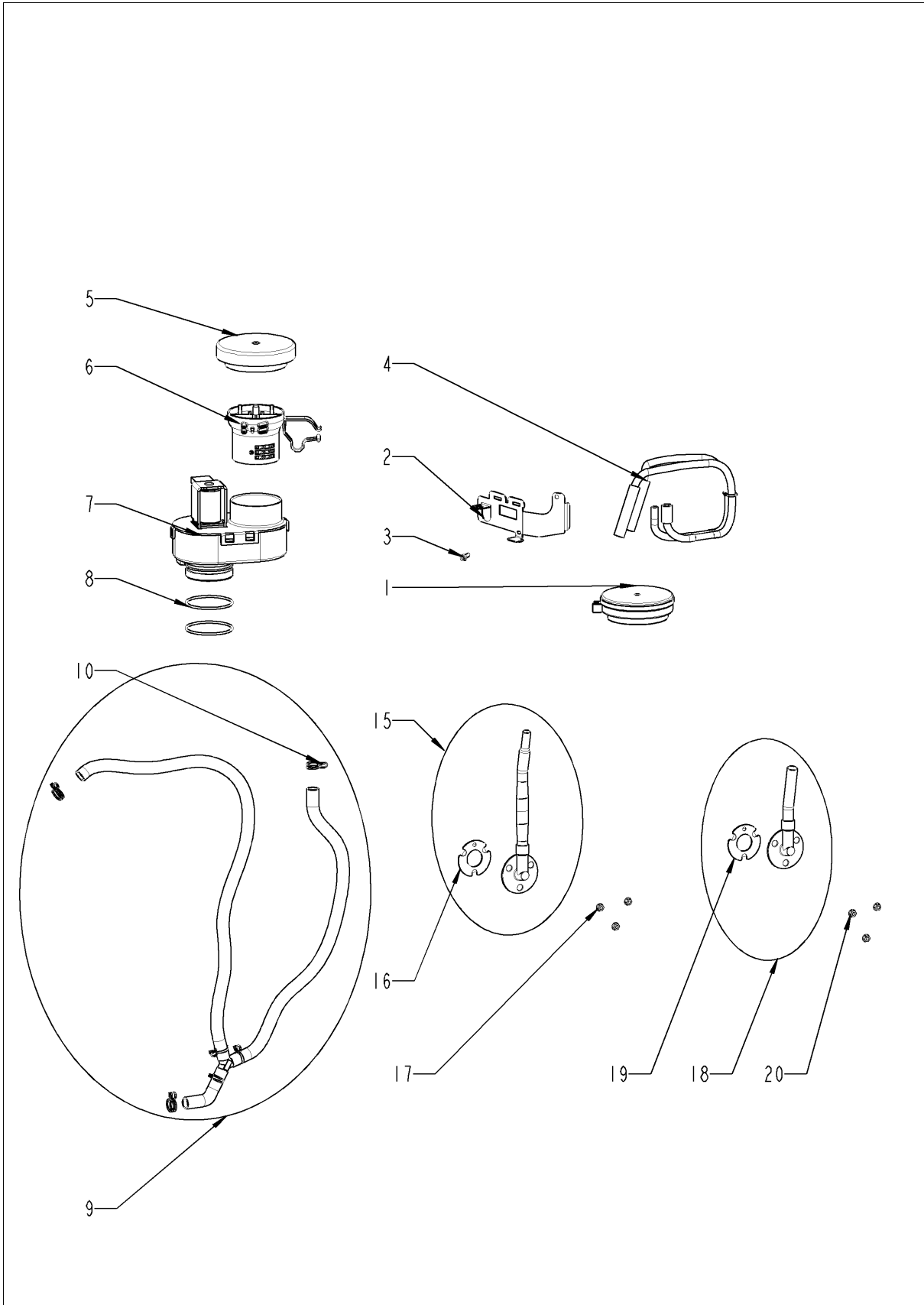
Air shaft cpl.



Air shaft cpl.

Pos.	Part no.	Description	Qty.
1	40.04.771P	Air inlet filter	1

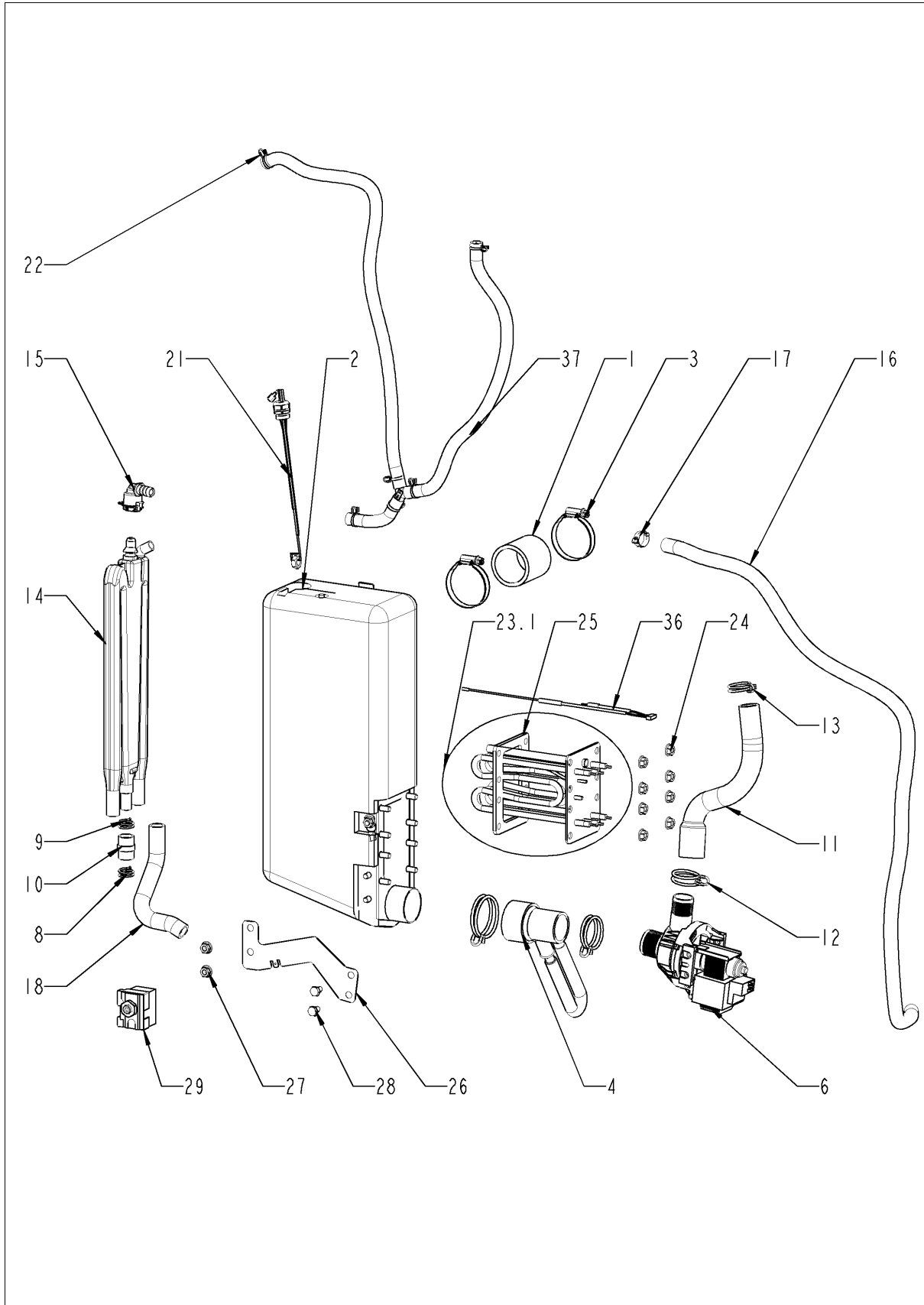
ClimaPlus



ClimaPlus

Pos.	Part no.	Description	Qty.
1	3017.1011P	Pressure sensor Huba 401	1
2	40.06.418P	Mounting device f. pressure sensor	1
3	10.01.776P	Pan head screw Torx T20 M4x12	1
4	22.01.116P	Hose set f. humidity control	1
5	22.01.112P	Vent cover	1
6	22.00.914P	Air inlet pipe	1
7	22.00.725P	Humidity control cpl.	1
8	22.00.837P	O-ring for humidity control	2
9	22.01.179P	Hose set for ventilation	1
10	2066.0527P	Hose clamp ø14mm	6
15	22.01.105S	Inner humidity meas. Piece	1
16	22.00.881P	Gasket f. hum. meas. Pipe	1
17	10.00.916P	Hex nut M4 w. locking	3
18	22.01.107S	Outer humidity meas. Piece	1
19	22.00.881P	Gasket f. hum. meas. Pipe	2
20	10.00.916P	Hex nut M4 w. locking	6

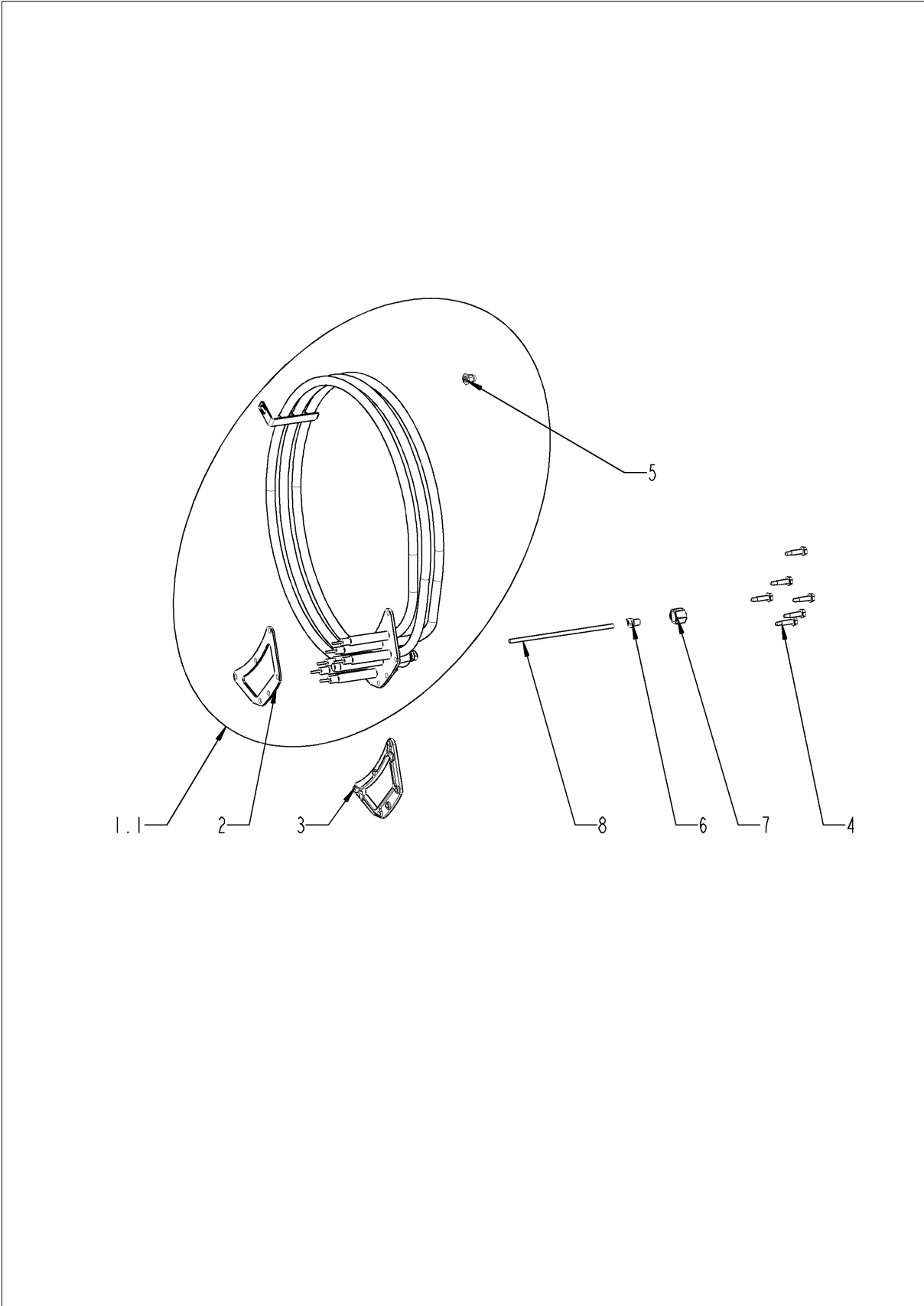
Steam generator



Steam generator

Pos.	Part no.	Description	Qty.
1	44.01.463S	Steam hose kit Ø40x50mm	1
2	87.01.458	Steam generator insulated *Service*	1
3	2066.0507P	Hose clamp 32-50mm	1
4	8354.1320P	Pump connection spout cpl.	1
5	10.01.868P	Hose clamp 32-50mm	2
6	44.00.207P	Emptying pump	1
8	2066.0530P	Hose clamp ø16.4mm	1
9	2066.0530P	Hose clamp ø16.4mm	1
10	44.01.918P	Bushing for filling steam generator	1
11	44.01.470P	Drain hose steam generator	1
12	2066.0518P	Hose clamp 30mm	1
13	2066.0518P	Hose clamp 30mm	1
14	44.01.546P	Safety device / water supply for steam generator	1
15	52.00.017P	Angle plug PS3 6-6-90°	1
16	2067.0050	Pressure hose d10mm	.85
17	2066.0205P	Hose clamp 8-16x9 mm SW 7mm	1
18	44.01.569P	Drain hose steam generator	1
21	44.01.581P	Filling level electrode 170 mm	1
22	2066.0527P	Hose clamp ø14mm	1
23.1	87.01.360	Heating element with gasket	1
24	10.00.709P	Hex nut M6 w. locking	1
25	44.01.433P	Gasket f. heating element	1
26	44.01.445P	Fixing device f. pump steam generator	1
27	10.00.709P	Hex nut M6 w. locking	2
28	1006.0762P	Hex screw M6x10	2
29	40.01.329S	Dry up protector 183 °C	1
36	40.06.526P	Thermocouple *B5/B10*	1
37	22.01.179P	Hose set for ventilation	1

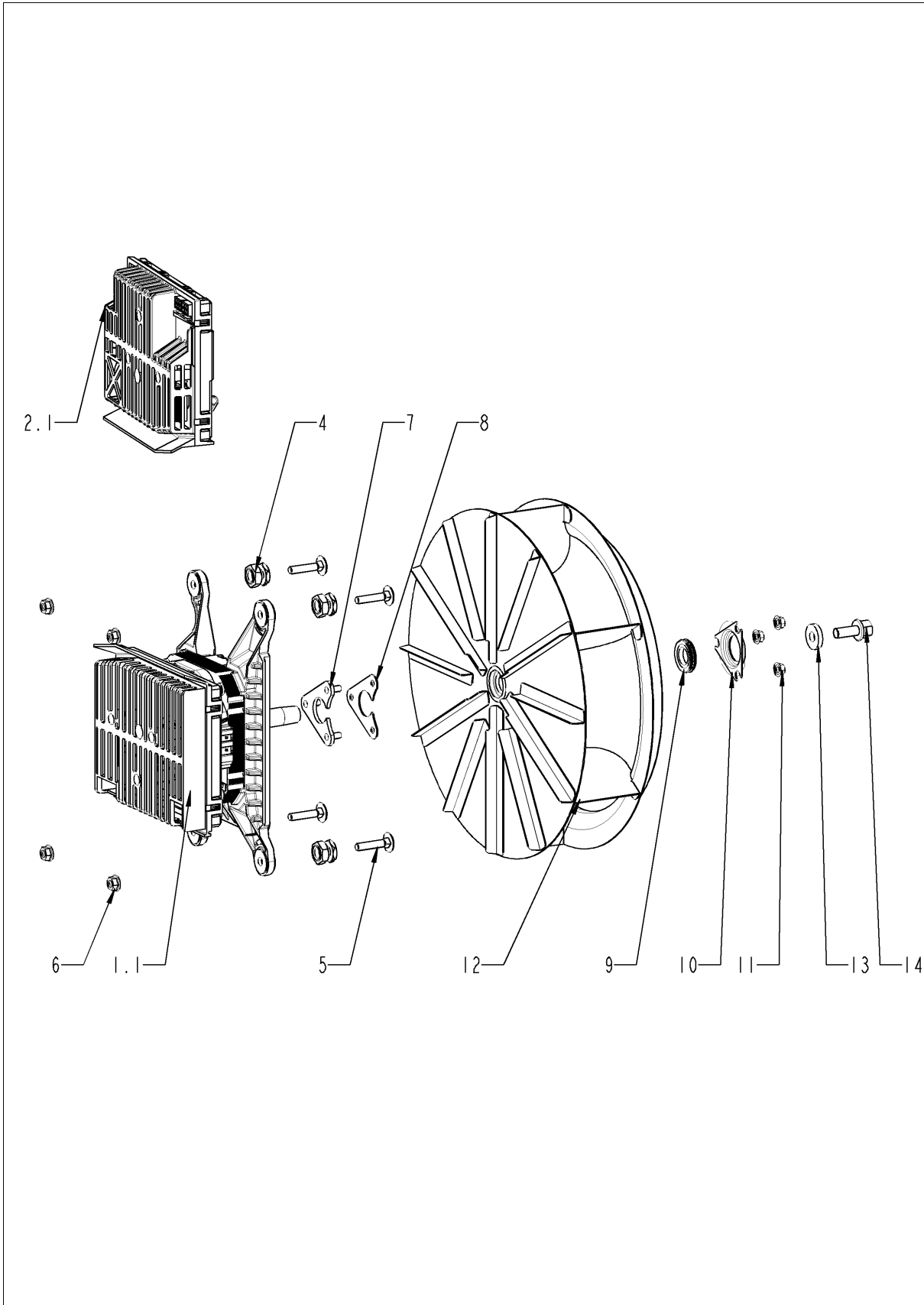
Hot air heating



Hot air heating

Pos.	Part no.	Description	Qty.
1.1	87.01.436	Heating assembly with gasket	1
2	46.00.170P	Gasket f. heating assembly	1
3	46.00.171P	Mating flange f. heating assembly	1
4	10.00.109P	Hex screw M5x23	6
5	10.01.076P	Cap nut M5*A2	1
6	50.00.844P	Nozzle f. moistening	1
7	50.00.846P	Union nut M12x13.2 N	1
8	50.01.722P	Plastic pipe 4,5x0,75x136mm	1

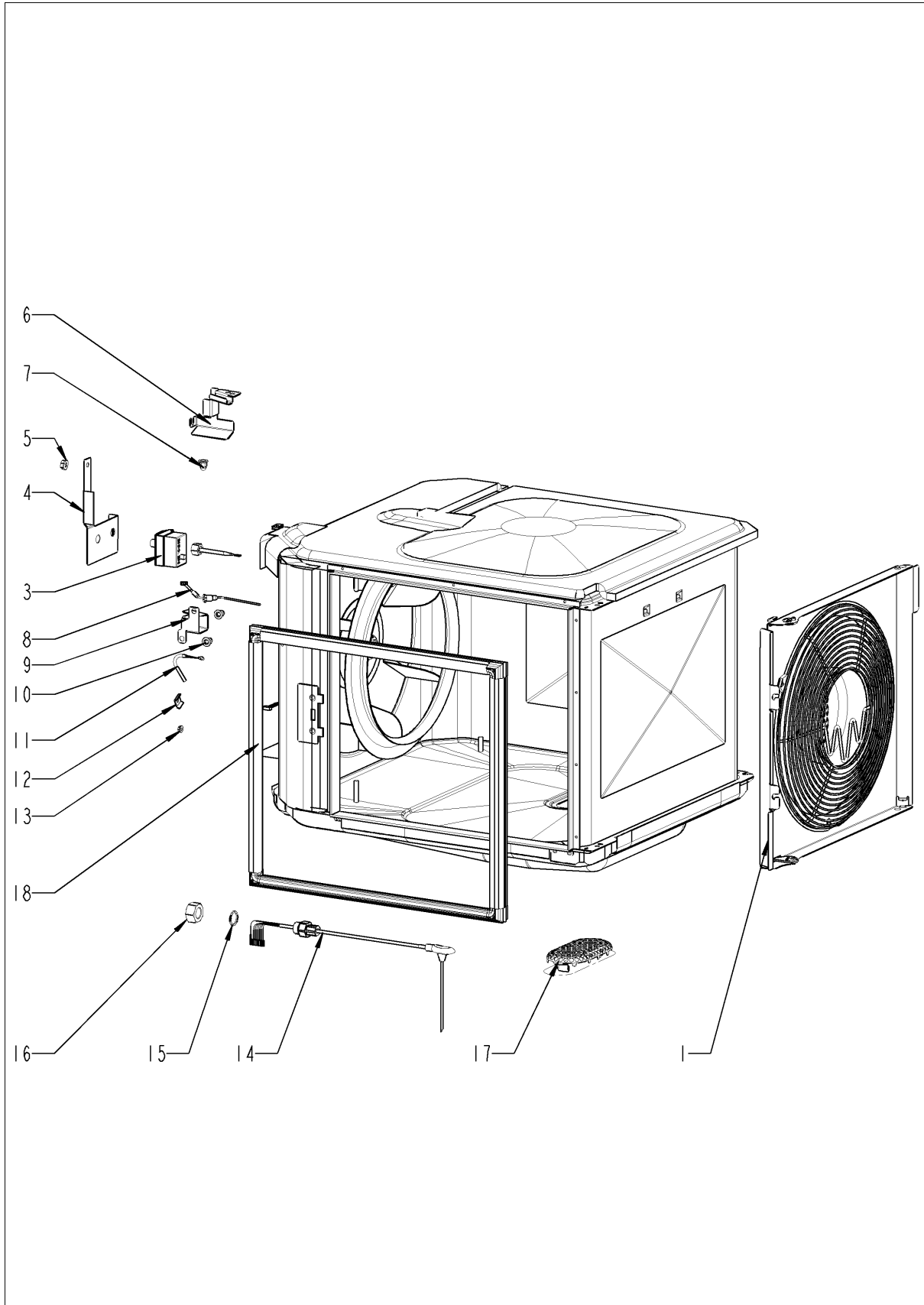
Motor and fan wheel



Motor and fan wheel

Pos.	Part no.	Description	Qty.
1.1	87.01.374	Fan motor	1
2.1	87.01.376	Motor control for fan motor	1
4	20.02.677P	Bushing for motor mounting bar	1
5	10.01.049P	Square necked mushroom head bolt 6x30	4
6	10.01.490P	Hex nut M6	4
7	22.00.722P	Mounting support f. gasket flange	1
8	22.01.196P	Graphit seal for gasket flange	1
9	22.00.985P	Motor shaft gasket D15	1
10	22.00.721P	Flange f. motor shaft gasket	1
11	10.01.065P	Hex nut M5	3
12	22.01.062S	Fan wheel	1
13	1308.0162P	Washer A8,4	1
14	10.00.936P	Hex screw M8x20	1

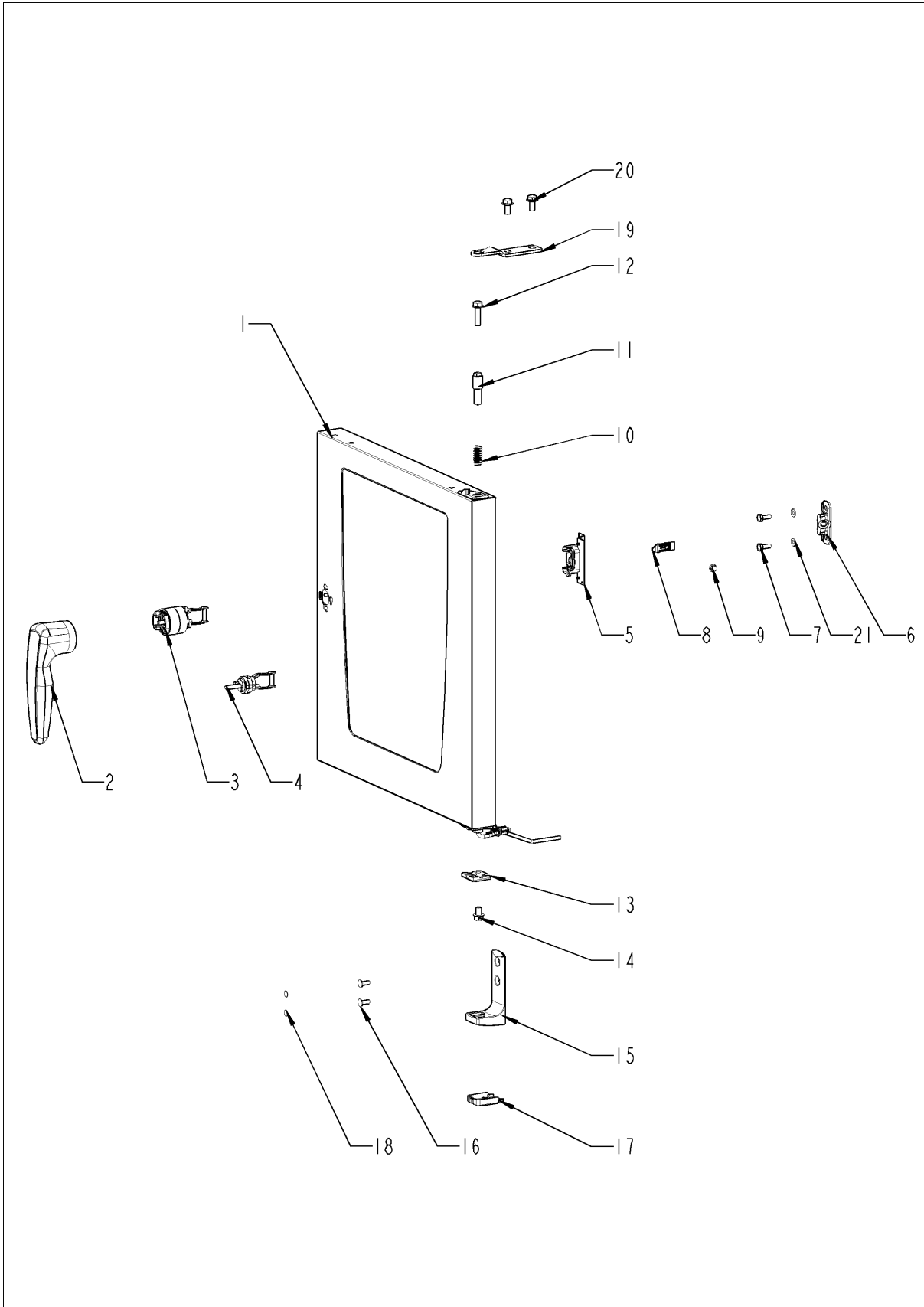
Interior cabinet



Interior cabinet

Pos.	Part no.	Description	Qty.
1	22.01.014P	Air baffle	1
3	40.01.482S	Safety temperature limiter 365°C	1
4	40.04.834P	Fixing device for safety temperature limiter	1
5	10.00.709P	Hex nut M6 w. locking	1
6	40.04.844P	Screen for safety temperature limiter	1
7	10.01.076P	Cap nut M5*A2	1
8	40.04.869P	Thermocouple interior cabinet B1	1
9	40.03.782P	Screen interior cabinet sensor	1
10	10.01.076P	Cap nut M5*A2	2
11	40.04.907S	Thermocouple humidity *B4*	1
12	10.00.087P	Clamp strap f. sensor	1
13	10.00.916P	Hex nut M4 w. locking	1
14	40.06.634P	Meat probe sensor	1
15	1315.0104P	Copper washer 16x20x1,5	1
16	10.01.751P	Hex nut M16 DIN934 A2	1
17	20.02.515P	Outlet sieve	1
18	20.02.549P	Door gasket	1

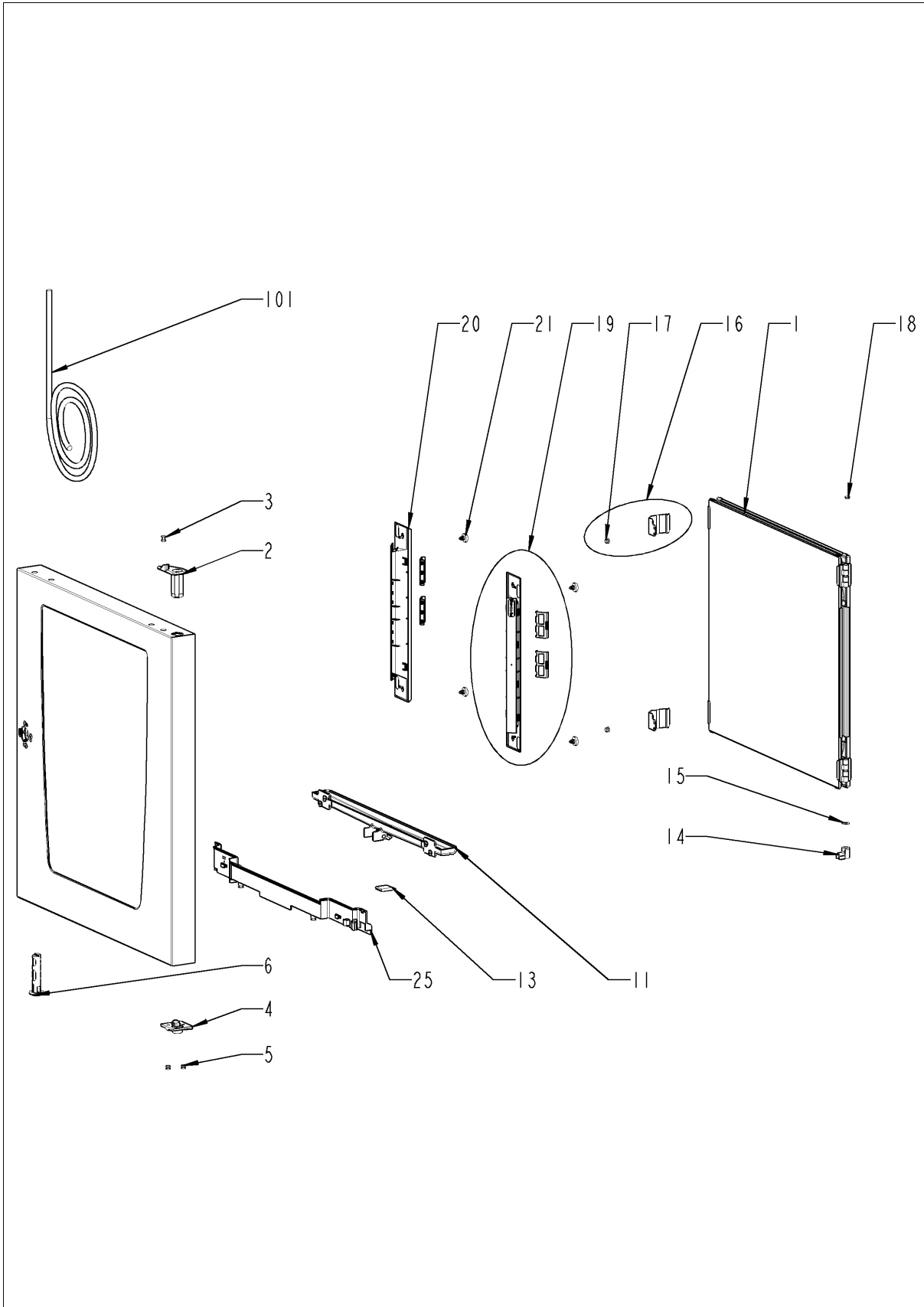
Door



Door

Pos.	Part no.	Description	Qty.
1	24.04.783P	Door	1
2	24.04.083P	Door handle RATIONAL	1
3	24.03.041P	Door lock with spring U-bolt	1
5	24.03.184P	Lock cover	1
6	24.02.958P	Holding bracket f. door catch	1
7	1006.0760P	Hex screw M6x16	2
8	24.02.959P	Door catch	1
9	24.02.960P	Interlocking tooth screw M5x6	1
10	2001.0109P	Compression spring	1
11	24.03.040P	Door bolt	1
12	1008.0769P	Ornamental screw M8x30	1
13	24.02.951P	Door bolt	1
14	10.01.527P	Hex screw M8x12	1
15	24.03.357P	Door mounting support bottom	1
16	1006.1962P	Countersunk screw Torx M6x16	1
17	24.03.786P	Cap for door mounting support bottom	1
18	10.00.090P	Cap f. Torx T30	2
19	24.03.399P	Door mounting support top	1
20	1008.0768P	Ornamental screw M8x16	2
21	1306.0120P	Washer A6,4	2

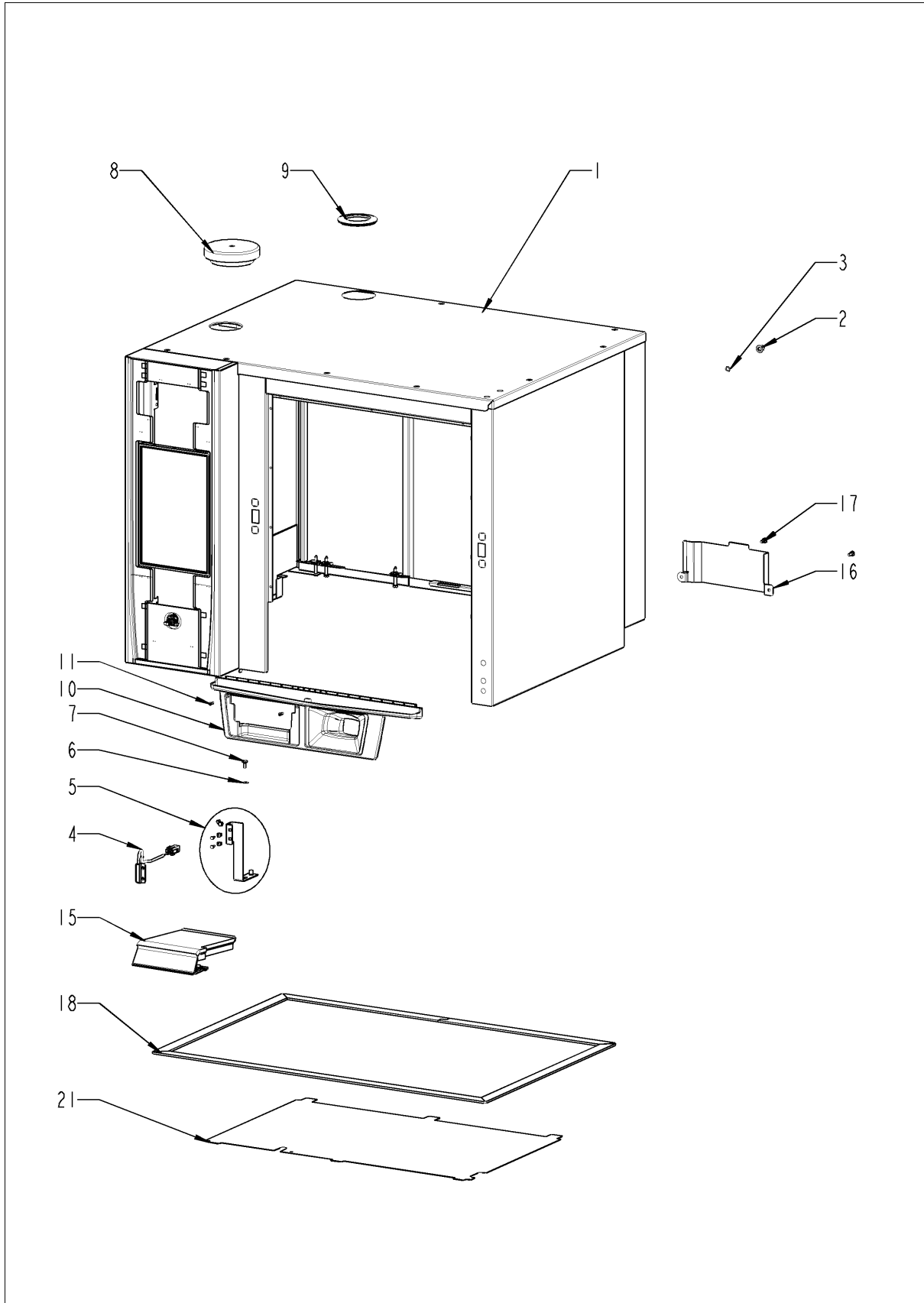
Door



Door

Pos.	Part no.	Description	Qty.
1	87.01.416	Glass pane bundle	1
2	24.03.052P	Sleeve for door bolt top	1
3	10.00.890P	Rivet 4x10	1
4	24.02.966P	Door setting bolt	1
5	10.00.904P	Rivet B4x8	2
6	24.00.502P	Fixing device f. magnet with magnet	1
11	24.03.021P	Door drip collector	1
13	24.03.355P	Drain seal for door drip collector	1
14	24.03.056P	Slide bush for door	1
15	24.03.057P	Abrasion protection for glide socket	1
16	24.03.787S	Fixing bracket kit for interior glass pane	2
17	1604.0161P	Rivet 4x6 CNS	1
18	24.03.062P	Cover cap for door	1
19	87.01.578S	LED bar	2
20	87.01.586S	LED optics	2
21	24.05.458P	Plastic spreader rivet	4
25	24.03.467P	Cable shaft for door	1
101	40.06.715P	Wire set for door lighting	1

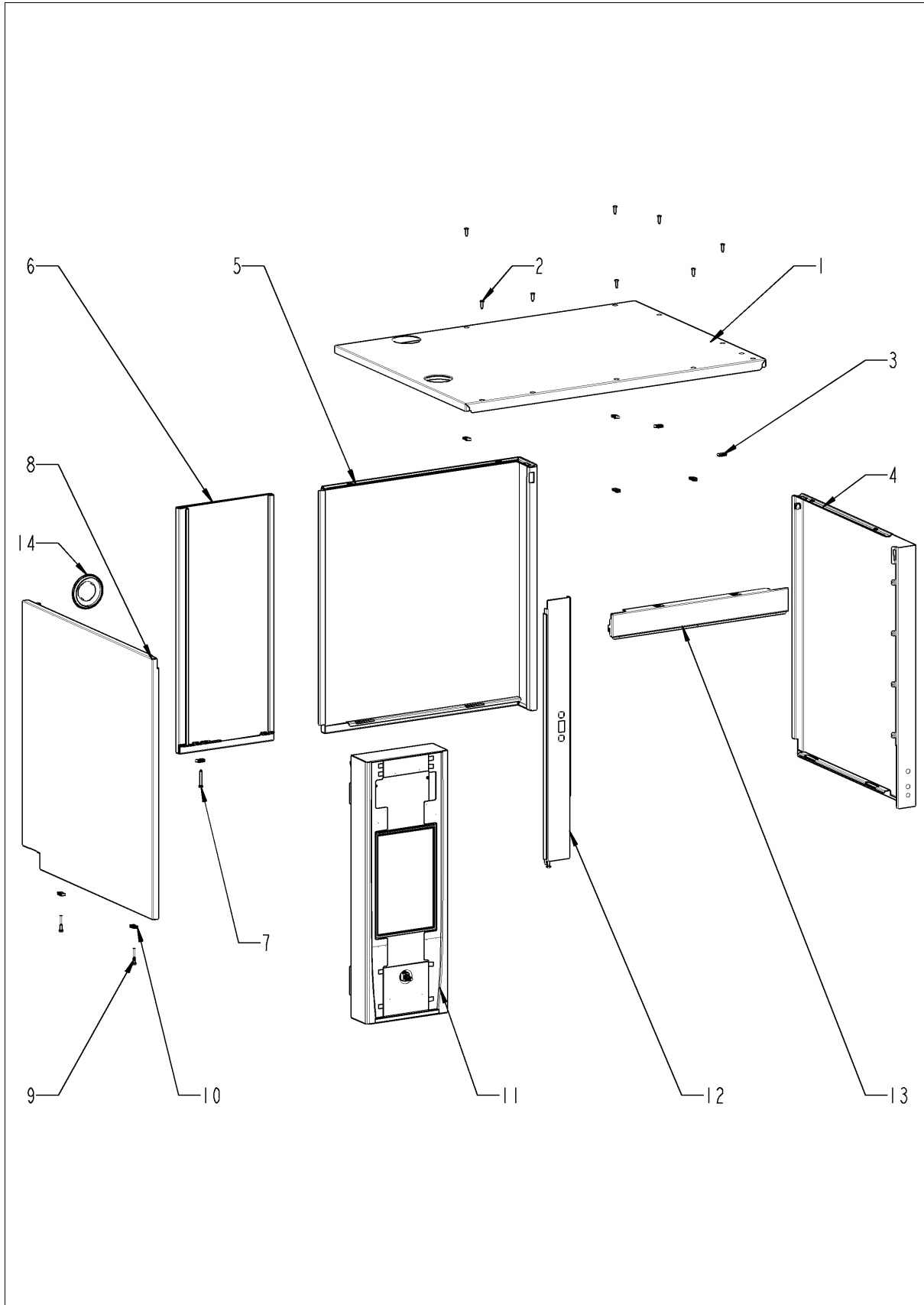
Exterior cabinet



Exterior cabinet

Pos.	Part no.	Description	Qty.
1		Exterior cabinet	1
2	10.01.076P	Cap nut M5*A2	1
3	1205.0120P	Tooth lock washer A5,3	1
4	40.04.342P	Door switch 0.45m	1
5	12.01.871S	Bracket for door contact switch	1
6	1304.0160P	Washer A4,3	2
7	1004.0666P	Hex screw M4x10	2
8	22.01.112P	Vent cover	1
9	56.00.800P	Gasket f. breather tube	1
10	56.00.827P	Frame for drawer CareControl	1
11	10.00.980P	EJOT PT-Screw K30x10	1
15	40.04.771P	Air inlet filter	1
16	12.01.877P	Splash guard	1
17	1004.0666P	Hex screw M4x10	2
18	12.01.899P	Gasket for base frame	1
21	12.01.716P	Cover for base frame	1

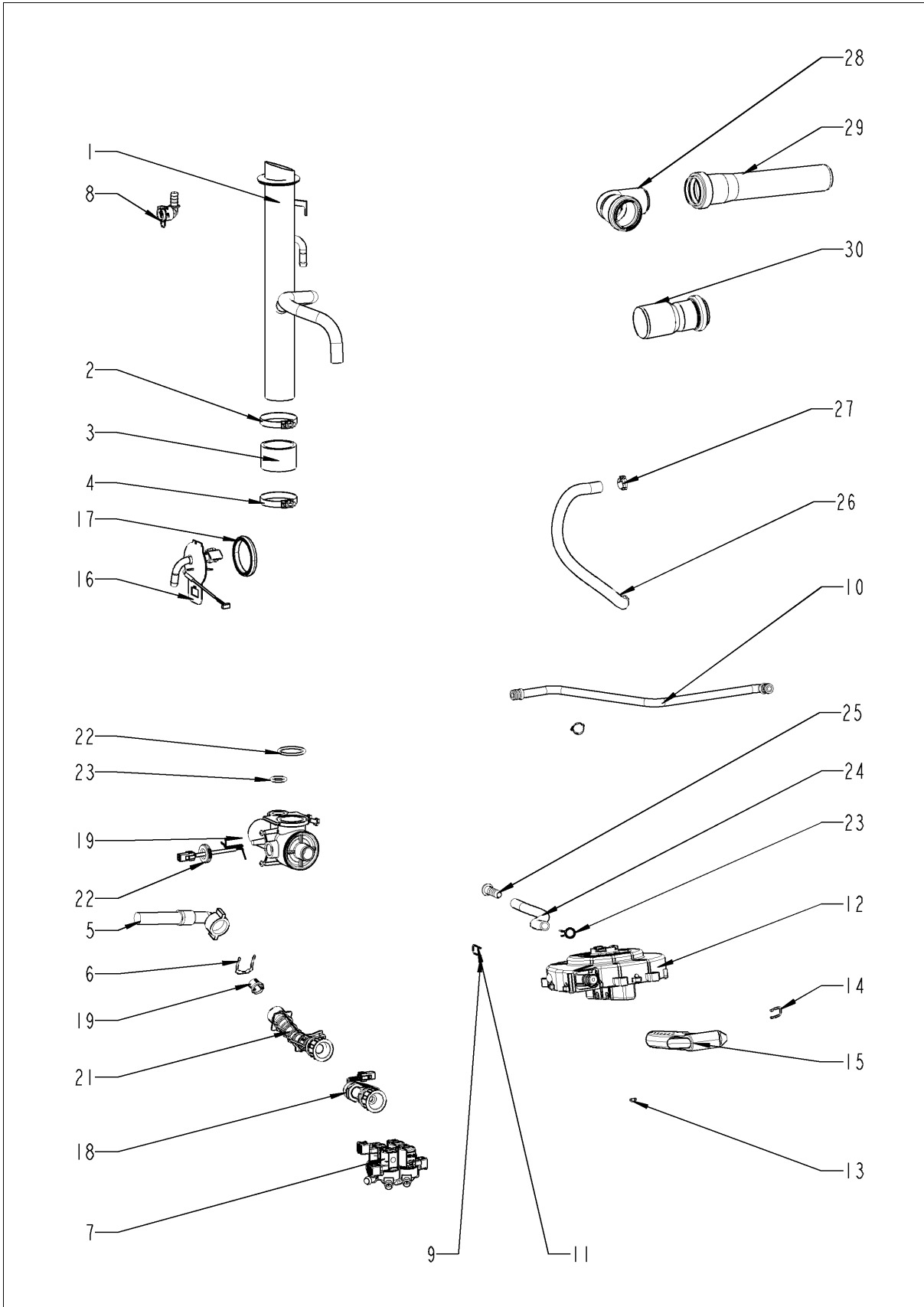
Exterior cabinet



Exterior cabinet

Pos.	Part no.	Description	Qty.
1	16.03.178P	Top cover	1
2	1003.2265P	Countersunk self tapping screw 4,2x16	8
3	1104.0820P	Snap nut 4,2mm	8
4	16.02.885P	Side panel right	1
5	16.02.962P	Back panel, right	1
6	16.02.963P	Back panel, left	1
7	10.00.102P	Hex self tapping screw B4,2x32	2
8	16.03.331P	Side panel left	1
9	10.00.992P	Hex self tapping screw B4,2x32	2
10	1104.0820P	Snap nut 4,2mm	2
11	87.01.534S	Front panel with overlay *RAT*	1
12	16.02.992P	Crossbar front panel	1
13	16.02.905P	Crossbar top	1
14	56.00.874P	Gasket wastewater	1

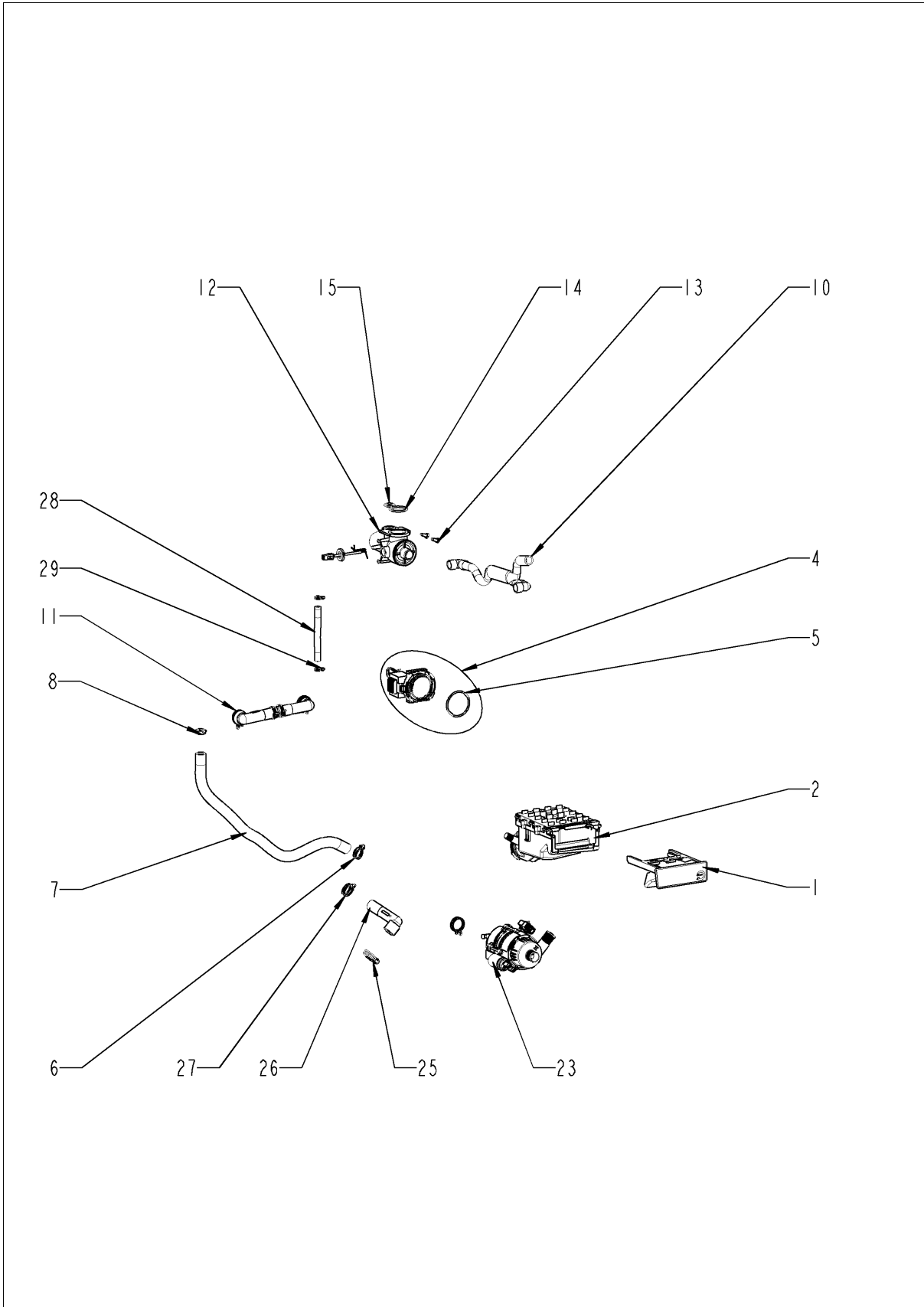
Water



Water

Pos.	Part no.	Description	Qty.
1	54.01.517P	Ventilation pipe	1
2	10.01.455P	Hose clamp Ø54x9	1
3	54.01.503S	Rubber form piece venting pipe	1
4	10.01.455P	Hose clamp Ø54x9	1
5	2067.0709P	Hose for water supply 2500mm	1
6	50.00.086P	Locking plate f. water distribution	1
7	50.01.733P	Quad solenoid valve	1
8	52.00.017P	Angle plug PS3 6-6-90°	1
9	50.00.085P	Plug-in spring f. hand shower roll guide	1
10	52.00.058S	Connect. hose f. hand shower roll guide	1
11	50.00.085P	Plug-in spring f. hand shower roll guide	1
12	52.00.016P	Hand shower roll guide	1
13	10.00.846P	Hex nut self-locking M5 Din 985	1
14	50.00.156P	Clamp f. hand shower roll guide	1
15	50.00.282S	Hand shower black	1
16	54.01.511S	Inspection lid, B2	1
17	54.01.168P	Gasket f. inspection lid	1
18	50.01.640S	Water volume sensor	1
19	1900.0202P	Water filter	1
20	2066.0202P	Hose clamp 12-22 mm	1
21	50.01.799S	Water distribution	1
22	2022.0101P	Grommet d8mm	1
23	2066.0527P	Hose clamp ø14mm	1
24	52.00.047P	Hose ø10x2x220 f. hand shower	1
25	52.00.059P	Grommet for drain hose	1
26	2067.0050	Pressure hose d10mm	.39
27	2066.0202P	Hose clamp 12-22 mm	1
28	2070.0050P	Elbow-pipe PP DN40 87°	1
29	50.02.053P	HT drain pipe DN40 150mm	1
30	50.01.967P	HT drain adapter DN 40/50	1

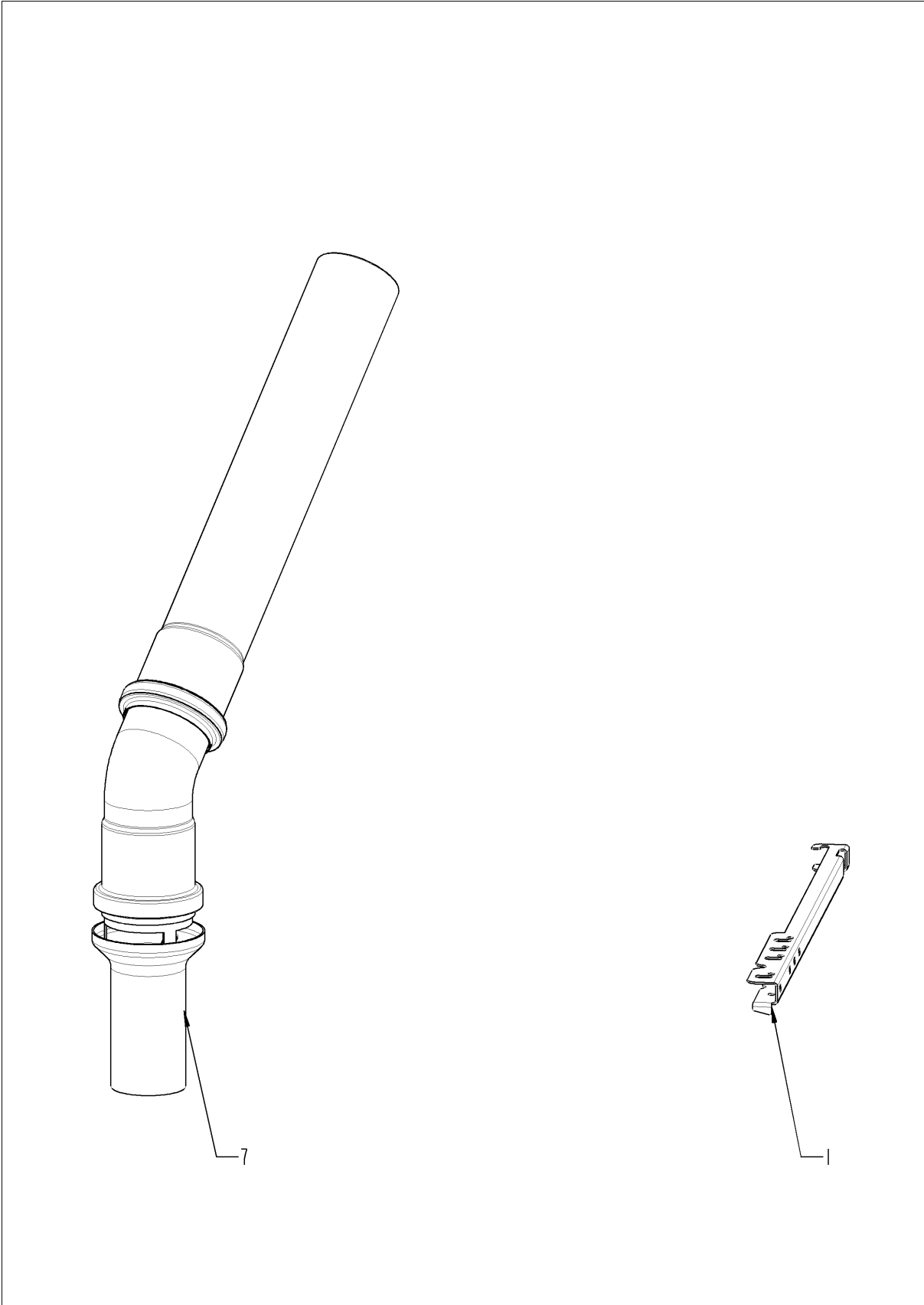
CleanJet + Care



CleanJet + Care

Pos.	Part no.	Description	Qty.
1	56.00.672P	Drawer Care container	1
2	56.00.666S	Care container with O-ring	1
4	56.00.918P	Pump f. CareControl	1
5	56.00.922P	O-ring for pump CareControl	1
6	10.00.605P	Hose clamp ø25.3	1
7	56.00.677S	Care hose	1
8	2066.0206P	Hose clamp 16-25mm/9mm-C72V SW7	1
10	56.00.966P	Drain pipe with bushings	1
11	56.00.784P	Suction hose f. cleaning	1
12	56.00.731P	Ball valve drain SCC cpl.	1
13	10.00.449P	Pan head screw M6x16	2
14	56.00.830P	O-ring for ball valve drain 36x3.5	1
15	56.00.829P	O-ring for ball valve drain 19x3.5	1
16	2066.0202P	Hose clamp 12-22 mm	1
17	2067.0050	Pressure hose d10mm	.625
23	56.00.870P	Pump f. cleaning UP30	1
25	2066.0518P	Hose clamp 30mm	1
26	56.00.823P	Elbow for suction hose CleanJet	1
27	10.01.510P	Hose clamp ø26.8	1
28	56.00.744S	Pressure hose ø10mm 130mm	1
29	2066.0202P	Hose clamp 12-22 mm	1

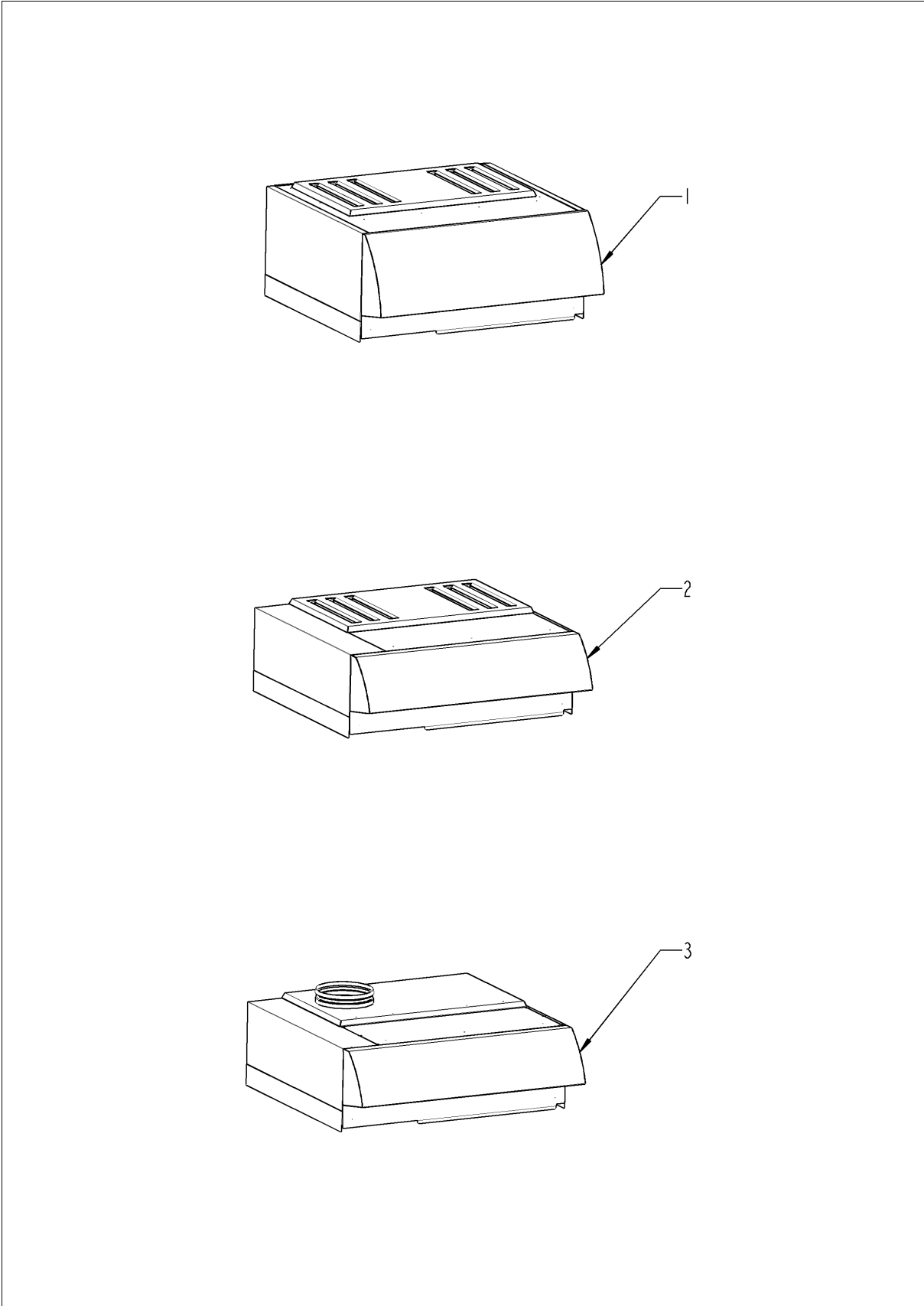
Standard accessory



Standard accessory

Pos.	Part no.	Description	Qty.
1	60.73.955P	Positioning support f. core sensor	1
7	60.74.037	Condensation breaker	1
8		Exhaust hood	1

Exhaust hood



Exhaust hood

Pos.	Part no.	Description	Qty.
1		UltraVent Plus	1
2		UltraVent	1
3		Extractor hood	1



UltraVent Plus

iCombi® ab 03/2020 XS - 6 x 2/3 Gastronorm
E60SJ2007



UltraVent Plus

Pos.	Part no.	Description	Qty.
------	----------	-------------	------



UltraVent

iCombi® ab 03/2020 XS - 6 x 2/3 Gastronorm
E60SJ2007



UltraVent

Pos.	Part no.	Description	Qty.
------	----------	-------------	------

Extractor hood



Extractor hood

Pos.	Part no.	Description	Qty.
------	----------	-------------	------

Index

Part no.	Description	Page
24.03.057P	Abrasion protection for glide socket	25
22.01.014P	Air baffle	21
40.04.771P	Air inlet filter	11, 27
22.00.914P	Air inlet pipe	13
40.05.016P	Air shaft cpl.	7
52.00.017P	Angle plug PS3 6-6-90°	15, 31
16.02.963P	Back panel, left	29
16.02.962P	Back panel, right	29
56.00.731P	Ball valve drain SCC cpl.	33
12.01.871S	Bracket for door contact switch	27
40.05.858P	Bus cable 1.08m	7
40.03.998P	Bus cable 1.15m	7
42.00.327P	Bus interface	7, 9
44.01.918P	Bushing for filling steam generator	15
20.02.677P	Bushing for motor mounting bar	19
40.06.851P	Cable A11-A18	7
40.00.320P	Cable connection M20x1.5	7
40.04.495P	Cable connection M25 ø5mm *divisible*	7
40.04.530P	Cable connection M25x1.5	7
40.06.671P	Cable control harness	7
40.06.760P	Cable control pcb - capacitive switch	5
40.06.569P	Cable CPU - TFT	5
50.01.786S	Cable entry	7
40.06.673P	Cable harness base	7
24.03.467P	Cable shaft for door	25
10.00.090P	Cap f. Torx T30	23
24.03.786P	Cap for door mounting support bottom	23
10.01.076P	Cap nut M5*A2	17, 21, 27
56.00.666S	Care container with O-ring	33
56.00.677S	Care hose	33
50.00.156P	Clamp f. hand shower roll guide	31
10.00.087P	Clamp strap f. sensor	21

Index

Part no.	Description	Page
42.00.314P	Cleaning PCB	9
2001.0109P	Compression spring	23
60.74.037	Condensation breaker	35
52.00.058S	Connect. hose f. hand shower roll guide	31
40.06.370P	Contactora assembly	9
40.06.454P	Contactora K3-18NBV10 190R T B01 AZ	9
42.00.251P	Control pcb (w/o SD-Card)	5
40.05.993P	Cooling fan	7
1315.0104P	Copper washer 16x20x1,5	21
1006.1962P	Countersunk screw Torx M6x16	23
1003.2265P	Countersunk self tapping screw 4,2x16	29
24.03.062P	Cover cap for door	25
16.03.929P	Cover f. control pcb w. gasket	5
12.01.716P	Cover for base frame	27
16.02.992P	Crossbar front panel	29
16.02.905P	Crossbar top	29
16.03.756P	Dial f. pulse generator	5
24.04.783P	Door	23
24.03.040P	Door bolt	23
24.02.951P	Door bolt	23
24.02.959P	Door catch	23
24.03.021P	Door drip collector	25
20.02.549P	Door gasket	21
24.04.083P	Door handle RATIONAL	23
24.03.041P	Door lock with spring U-bolt	23
24.03.357P	Door mounting support bottom	23
24.03.399P	Door mounting support top	23
24.02.966P	Door setting bolt	25
40.04.342P	Door switch 0.45m	27
44.01.470P	Drain hose steam generator	15
44.01.569P	Drain hose steam generator	15
56.00.966P	Drain pipe with bushings	33

Index

Part no.	Description	Page
24.03.355P	Drain seal for door drip collector	25
56.00.672P	Drawer Care container	33
40.01.329S	Dry up protector 183 °C	15
40.03.743P	Earth terminal WK4 SL/U	9
10.00.980P	EJOT PT-Screw K30x10	27
56.00.823P	Elbow for suction hose CleanJet	33
2070.0050P	Elbow-pipe PP DN40 87°	31
42.00.322P	Electronic noise filter	9
44.00.207P	Emptying pump	15
40.05.279P	End cover APFN 6 D1/2/35	9
87.01.374	Fan motor	19
22.01.062S	Fan wheel	19
44.01.581P	Filling level electrode 170 mm	15
24.03.787S	Fixing bracket kit for interior glass pane	25
40.03.756P	Fixing clip f. pcb	9
24.00.502P	Fixing device f. magnet with magnet	25
44.01.445P	Fixing device f. pump steam generator	15
40.04.834P	Fixing device for safety temperature limiter	21
16.03.993P	Fixing display / pcb	5
22.00.721P	Flange f. motor shaft gasket	19
56.00.827P	Frame for drawer CareControl	27
87.01.534S	Front panel with overlay *RAT*	5, 29
40.06.767P	Fuse 4A *Typ 5HT 4-R*	9
3019.0125P	Fuse 5x20mm	9
4001.0224P	Fuse 6.35x32mm 6.3A	9
40.02.512P	Fuse holder 2x6.3A	9
56.00.800P	Gasket f. breather tube	27
46.00.170P	Gasket f. heating assembly	17
44.01.433P	Gasket f. heating element	15
22.00.881P	Gasket f. hum. meas. Pipe	13
54.01.168P	Gasket f. inspection lid	31
12.01.899P	Gasket for base frame	27

Index

Part no.	Description	Page
56.00.874P	Gasket wastewater	29
87.01.416	Glass pane bundle	25
22.01.196P	Graphit seal for gasket flange	19
40.06.451P	Grid for fan assembly	7
2022.0101P	Grommet d8mm	31
52.00.059P	Grommet for drain hose	31
50.00.282S	Hand shower black	31
52.00.016P	Hand shower roll guide	31
40.06.051P	Heat sink small Quad-SSR	7
87.01.436	Heating assembly with gasket	17
87.01.360	Heating element with gasket	15
10.00.916P	Hex nut M4 w. locking	13, 21
10.01.065P	Hex nut M5	19
10.01.490P	Hex nut M6	19
10.00.709P	Hex nut M6 w. locking	15, 21
10.01.751P	Hex nut M16 DIN934 A2	21
10.00.846P	Hex nut self-locking M5 Din 985	31
1004.0666P	Hex screw M4x10	27
10.00.109P	Hex screw M5x23	17
1006.0762P	Hex screw M6x10	7, 15
1006.0760P	Hex screw M6x16	23
10.01.527P	Hex screw M8x12	23
10.00.936P	Hex screw M8x20	19
10.00.102P	Hex self tapping screw B4,2x32	29
10.00.992P	Hex self tapping screw B4,2x32	29
40.06.425P	Holder for mains filter	7, 9
24.02.958P	Holding bracket f. door catch	23
2066.0205P	Hose clamp 8-16x9 mm SW 7mm	15
2066.0202P	Hose clamp 12-22 mm	31, 33
2066.0206P	Hose clamp 16-25mm/9mm-C72V SW7	33
2066.0518P	Hose clamp 30mm	15, 33
2066.0507P	Hose clamp 32-50mm	15

Index

Part no.	Description	Page
10.01.868P	Hose clamp 32-50mm	15
2066.0527P	Hose clamp ø14mm	13, 15, 31
2066.0530P	Hose clamp ø16.4mm	15
10.00.605P	Hose clamp ø25.3	33
10.01.510P	Hose clamp ø26.8	33
10.01.455P	Hose clamp Ø54x9	31
2067.0709P	Hose for water supply 2500mm	31
22.01.116P	Hose set f. humidity control	13
22.01.179P	Hose set for ventilation	13, 15
52.00.047P	Hose ø10x2x220 f. hand shower	31
50.01.967P	HT drain adapter DN 40/50	31
50.02.053P	HT drain pipe DN40 150mm	31
22.00.725P	Humidity control cpl.	13
22.01.105S	Inner humidity meas. Piece	13
54.01.511S	Inspection lid, B2	31
40.06.410P	Interface cable LAN 2m	5, 7
40.05.509P	Interface LAN IPX6	7
40.06.435P	Interface USB	5, 7
24.02.960P	Interlocking tooth screw M5x6	23
42.00.280P	IO-module	9
87.01.578S	LED bar	25
87.01.586S	LED optics	25
24.03.184P	Lock cover	23
50.00.086P	Locking plate f. water distribution	31
40.06.728P	Loudspeaker K 64 WPTR	7
46.00.171P	Mating flange f. heating assembly	17
40.06.634P	Meat probe sensor	21
42.00.359P	Micro SD card	5
87.01.376	Motor control for fan motor	19
22.00.985P	Motor shaft gasket D15	19
40.06.418P	Mounting device f. pressure sensor	13
40.06.074P	Mounting device heat sink SSR	7

Index

Part no.	Description	Page
22.00.722P	Mounting support f. gasket flange	19
50.00.844P	Nozzle f. moistening	17
56.00.829P	O-ring for ball valve drain 19x3.5	33
56.00.830P	O-ring for ball valve drain 36x3.5	33
22.00.837P	O-ring for humidity control	13
56.00.922P	O-ring for pump CareControl	33
42.00.302P	Operator pcb *TFT*	5
1008.0768P	Ornamental screw M8x16	23
1008.0769P	Ornamental screw M8x30	23
22.01.107S	Outer humidity meas. Piece	13
20.02.515P	Outlet sieve	21
10.00.449P	Pan head screw M6x16	33
10.01.778P	Pan head screw Torx M4x16	7
10.01.776P	Pan head screw Torx T20 M4x12	7, 9, 13
50.01.722P	Plastic pipe 4,5x0,75x136mm	17
24.05.458P	Plastic spreader rivet	25
50.00.085P	Plug-in spring f. hand shower roll guide	31
60.73.955P	Positioning support f. core sensor	35
40.05.049P	Power supply cable 3x4mm ² 3m	7
2067.0050	Pressure hose d10mm	15, 31, 33
56.00.744S	Pressure hose ø10mm 130mm.....	33
3017.1011P	Pressure sensor Huba 401	13
40.06.037P	Pulse generator.....	5
8354.1320P	Pump connection spout cpl.	15
56.00.918P	Pump f. CareControl.....	33
56.00.870P	Pump f. cleaning UP30	33
50.01.733P	Quad solenoid valve	31
1604.0161P	Rivet 4x6 CNS	25
10.00.890P	Rivet 4x10	25
10.00.904P	Rivet B4x8	25
10.00.989P	Rivet with screw	9
54.01.503S	Rubber form piece venting pipe	31

Index

Part no.	Description	Page
44.01.546P	Safety device / water supply for steam generator	15
40.01.482S	Safety temperature limiter 365°C	21
40.04.844P	Screen for safety temperature limiter	21
40.03.782P	Screen interior cabinet sensor	21
16.04.319P	Sealing block BUS	5
16.04.318P	Sealing block LAN/USB	5
42.00.346P	Sensor on / off	5
16.03.331P	Side panel left	29
16.02.885P	Side panel right	29
24.03.052P	Sleeve for door bolt top	25
24.03.056P	Slide bush for door	25
1104.0820P	Snap nut 4,2mm	29
40.05.670P	Solid state relais	7
12.01.877P	Splash guard	27
10.01.049P	Square necked mushroom head bolt 6x30	19
87.01.458	Steam generator insulated *Service*	15
44.01.463S	Steam hose kit Ø40x50mm	15
56.00.784P	Suction hose f. cleaning	33
40.05.277P	Terminal block blue WKFN6/35	9
40.05.260P	Terminal block WKFN 6 D1/2/35 grey	9
40.06.526P	Thermocouple *B5/B10*	15
40.04.907S	Thermocouple humidity *B4*	21
40.04.869P	Thermocouple interior cabinet B1	21
40.03.732P	Tie rap 160 mm	7
1205.0120P	Tooth lock washer A5,3	27
16.03.178P	Top cover	29
50.00.846P	Union nut M12x13.2 N	17
22.01.112P	Vent cover	13, 27
54.01.517P	Ventilation pipe	31
1304.0160P	Washer A4,3	27
1306.0120P	Washer A6,4	23
1308.0162P	Washer A8,4	19

Index

Part no.	Description	Page
50.01.799S	Water distribution	31
1900.0202P	Water filter	31
50.01.640S	Water volume sensor	31
40.06.715P	Wire set for door lighting	25

