

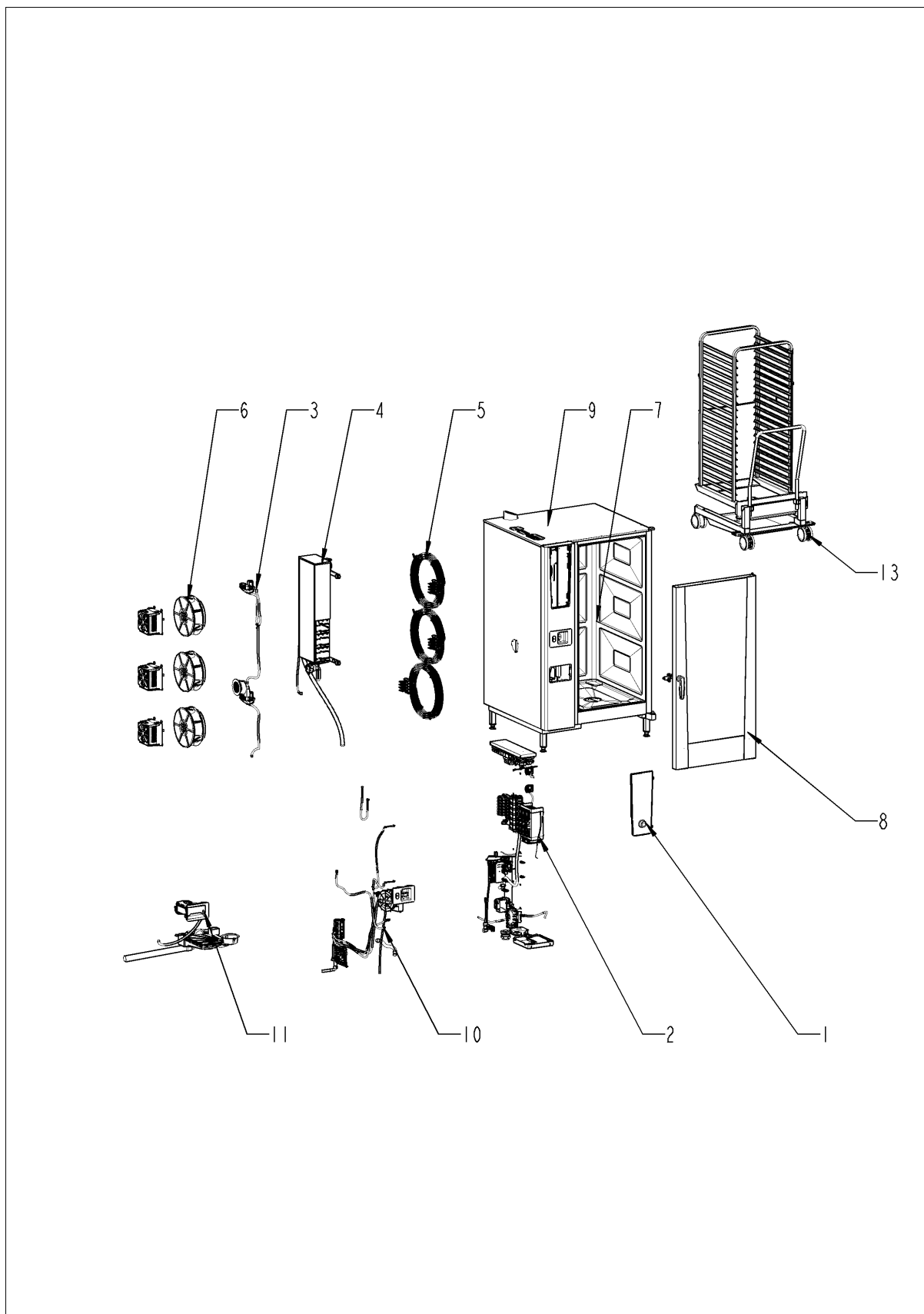
# Service part catalogue

iCombi® ab 03/2020 202 - 20 x 2/1 Gastronorm

E22SJ2007



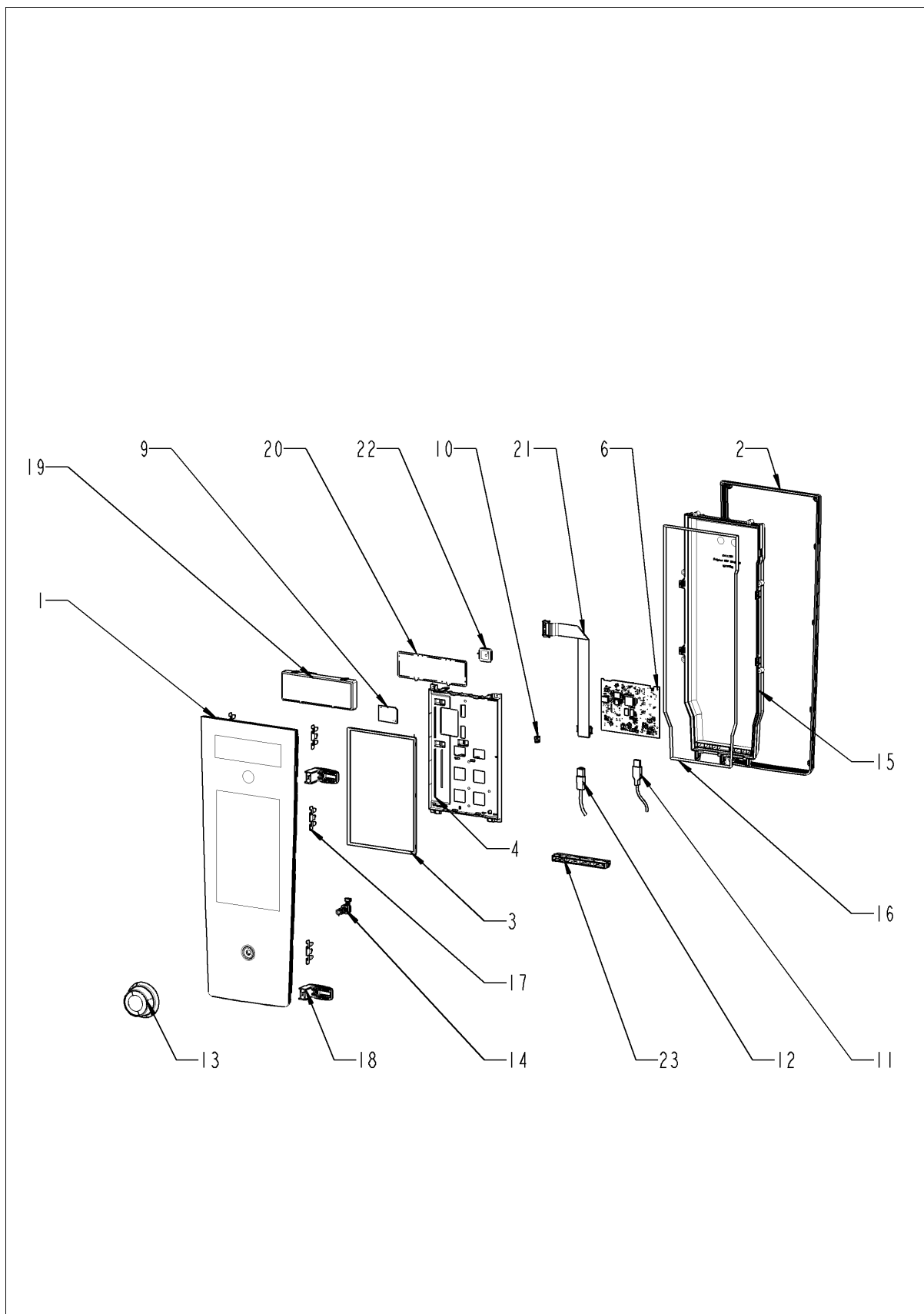
## Overview



## **Overview**

<b>Pos.</b>	<b>Assembly</b>	<b>Page</b>
1	Control panel .....	4
2	Electrical installation .....	6
3	ClimaPlus .....	12
4	Steam generator .....	14
5	Hot air heating .....	16
6	Motor and fan wheel .....	18
7	Interior cabinet .....	20
8	Door .....	22
9	Exterior cabinet .....	28
10	Water .....	32
11	CleanJet + Care .....	34
13	Standard accessory .....	36

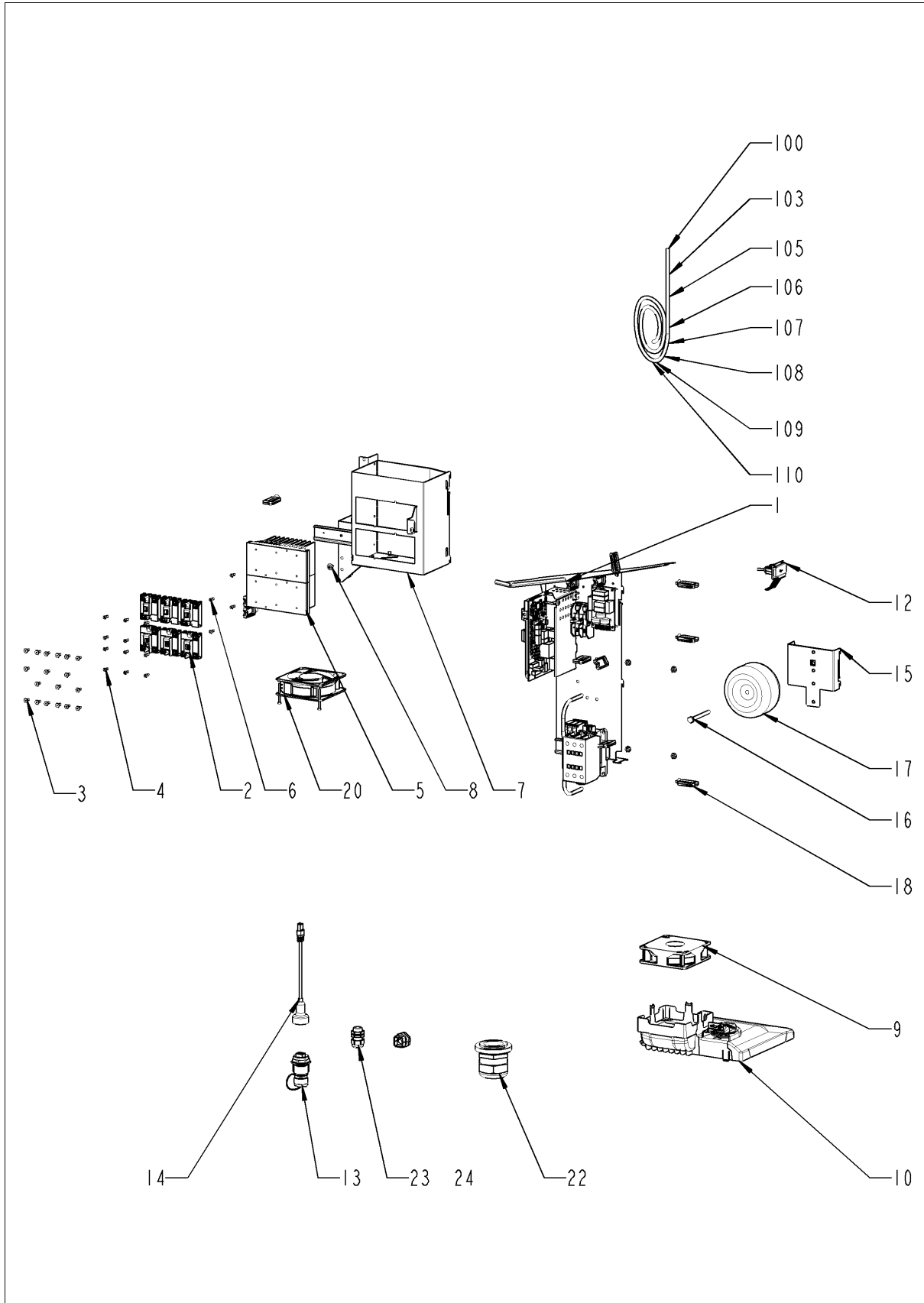
## Control panel



## **Control panel**

<b>Pos.</b>	<b>Part no.</b>	<b>Description</b>	<b>Qty.</b>
1	87.01.648S	Control panel insert *FU*	1
2	16.03.342P	Sealing f. panel insert	1
3	42.00.287P	Operator pcb *TFT*	1
4	16.03.747P	Fixing display / pcb	1
6	42.00.251P	Control pcb (w/o SD-Card)	1
8	42.00.359P	Micro SD card	1
9	42.00.346P	Sensor on / off	1
10	40.06.760P	Cable control pcb - capacitive switch	1
11	40.06.044P	USB socket with cable	1
12	40.06.410P	Interface cable LAN 2m	1
13	16.03.756P	Dial f. pulse generator	1
14	40.06.037P	Pulse generator	1
15	16.03.735P	Cover f. control pcb w. gasket	1
17	16.03.748P	Metal cramp f. panel insert	6
18	16.03.749P	Hook for parking position	2
21	40.06.569P	Cable CPU - TFT	1
23	16.04.062P	Sealing block	1
23	16.03.701P	Sealing block LAN	1

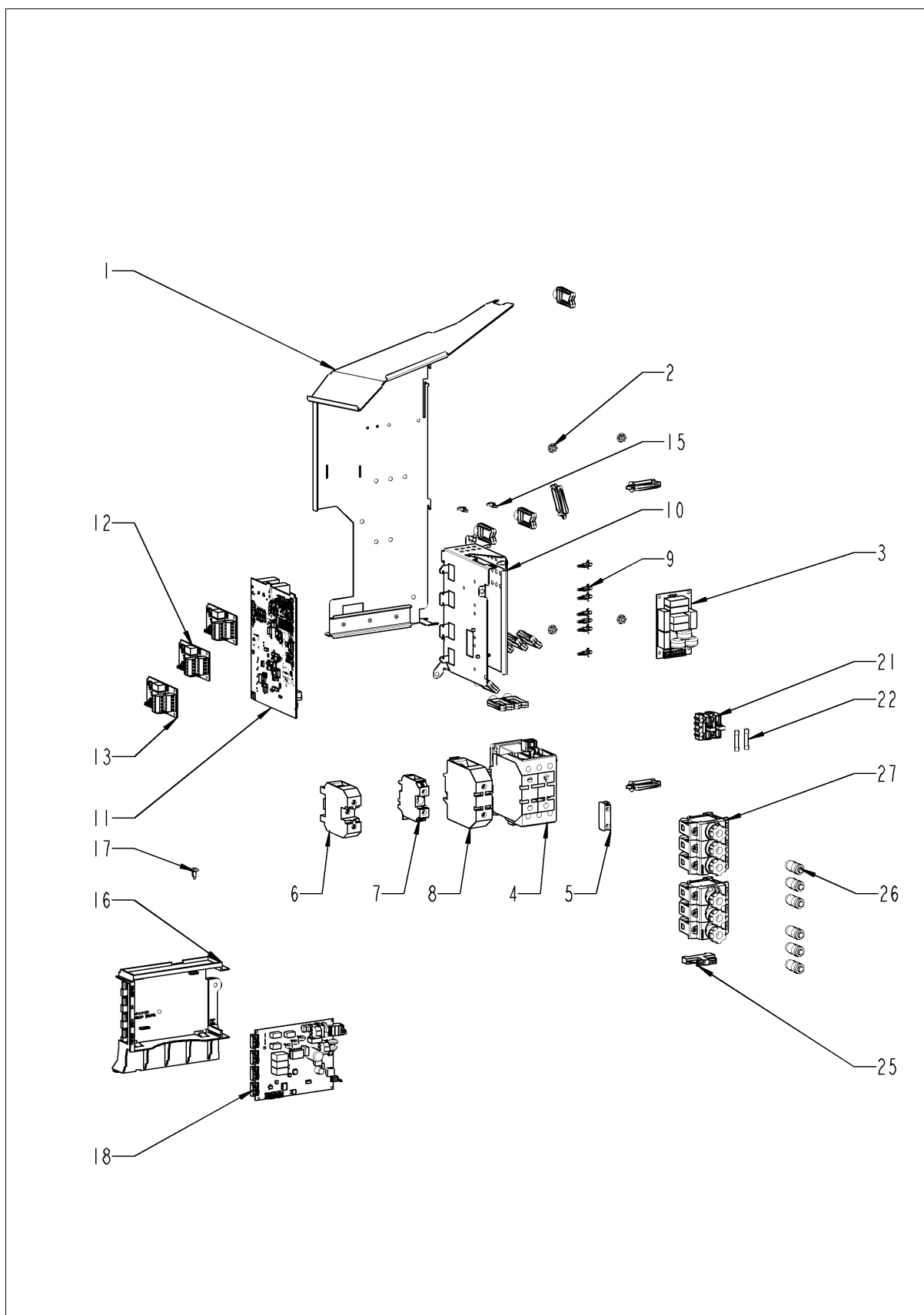
## Electrical installation



## **Electrical installation**

<b>Pos.</b>	<b>Part no.</b>	<b>Description</b>	<b>Qty.</b>
1		Electrical installation	1
2	40.00.453P	Solid state relais	9
3	10.01.266P	Pan head screw Torx T20 10,5mm	5
4	10.01.776P	Pan head screw Torx T20 M4x12	12
5	40.04.211P	Heat sink 3 SSR	3
6	10.01.776P	Pan head screw Torx T20 M4x12	4
7	40.06.354P	Mounting device heat sink SSR	1
8	10.00.989P	Rivet with screw	1
9	40.06.355P	Cooling fan	1
10	87.01.619S	Air shaft cpl.	1
12	87.01.741S	Interface USB	1
13	40.05.509P	Interface LAN IPX6	1
14	40.06.410P	Interface cable LAN 2m	1
15	40.06.042S	Mounting support power transformer	1
16	10.01.208P	Hex screw M8x80 A2	1
18	40.06.878P	Cable holder	12
20	40.05.994P	Cooling fan 11938MB	1
22	4007.0622P	Screwed cable gland PG 48	1
23	40.00.320P	Cable connection M20x1.5	1
24	40.04.495P	Cable connection M25 ø5mm *divisible*	1
100	40.06.149P	Cable control harness	1
103	40.06.173P	Cable contactor-SSR	1
105	40.06.242P	Cable, circulation pump	1
106	40.06.245P	Cable, sewage pump	1
107	40.06.248P	Cable SC pump	1
108	40.06.251P	Cable, Care pump	1
109	40.06.718P	Cable, interior light W57 *door lighting*	1
114	40.07.148P	Bus cable 1.73m	1
115	40.05.858P	Bus cable 1.08m	1
116	40.07.147P	Bus cable 1.96m	1
117	40.05.858P	Bus cable 1.08m	1
118	40.05.858P	Bus cable 1.08m	1

## Electrical installation

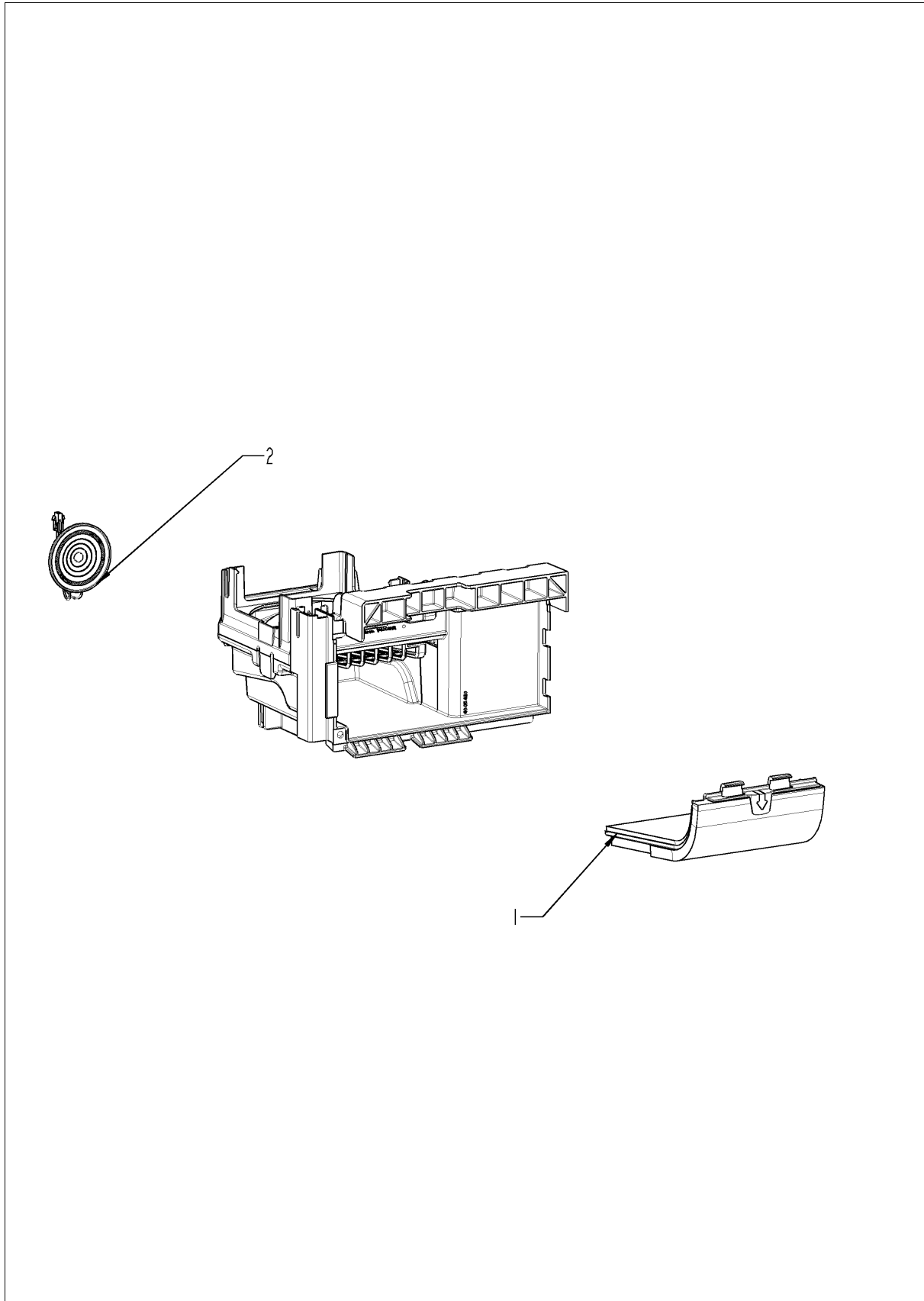




## **Electrical installation**

<b>Pos.</b>	<b>Part no.</b>	<b>Description</b>	<b>Qty.</b>
1	40.06.389P	Electrical mounting plate	1
2	10.00.709P	Hex nut M6 w. locking	1
3	42.00.336P	Electronic noise filter	1
4	40.03.668P	Contacteur B&J K3-24B00 190 R	1
5	40.03.137P	Auxilliary contact B&J HB11T*K3-3200 230 EUR	1
6	40.01.610P	Earth terminal 20 WKN 70SL/U	1
8	40.01.609P	Terminal block WKN 150/U grey	3
9	40.03.756P	Fixing clip f. pcb	1
11	40.05.919P	IO-module	1
14	10.00.989P	Rivet with screw	1
15	40.03.756P	Fixing clip f. pcb	1
16	40.06.116S	Mounting support for pump pcb	1
17	10.00.989P	Rivet with screw	1
18	42.00.273P	Pump pcb	1
25	4001.1203P	End plate for mounting rail	1
26	3019.0405P	Fuse neozed 63A	18
27	40.01.491S	Fuse holder block neozed 3ph 63 A	6
28	40.06.767P	Fuse 4A *Typ 5HT 4-R*	1

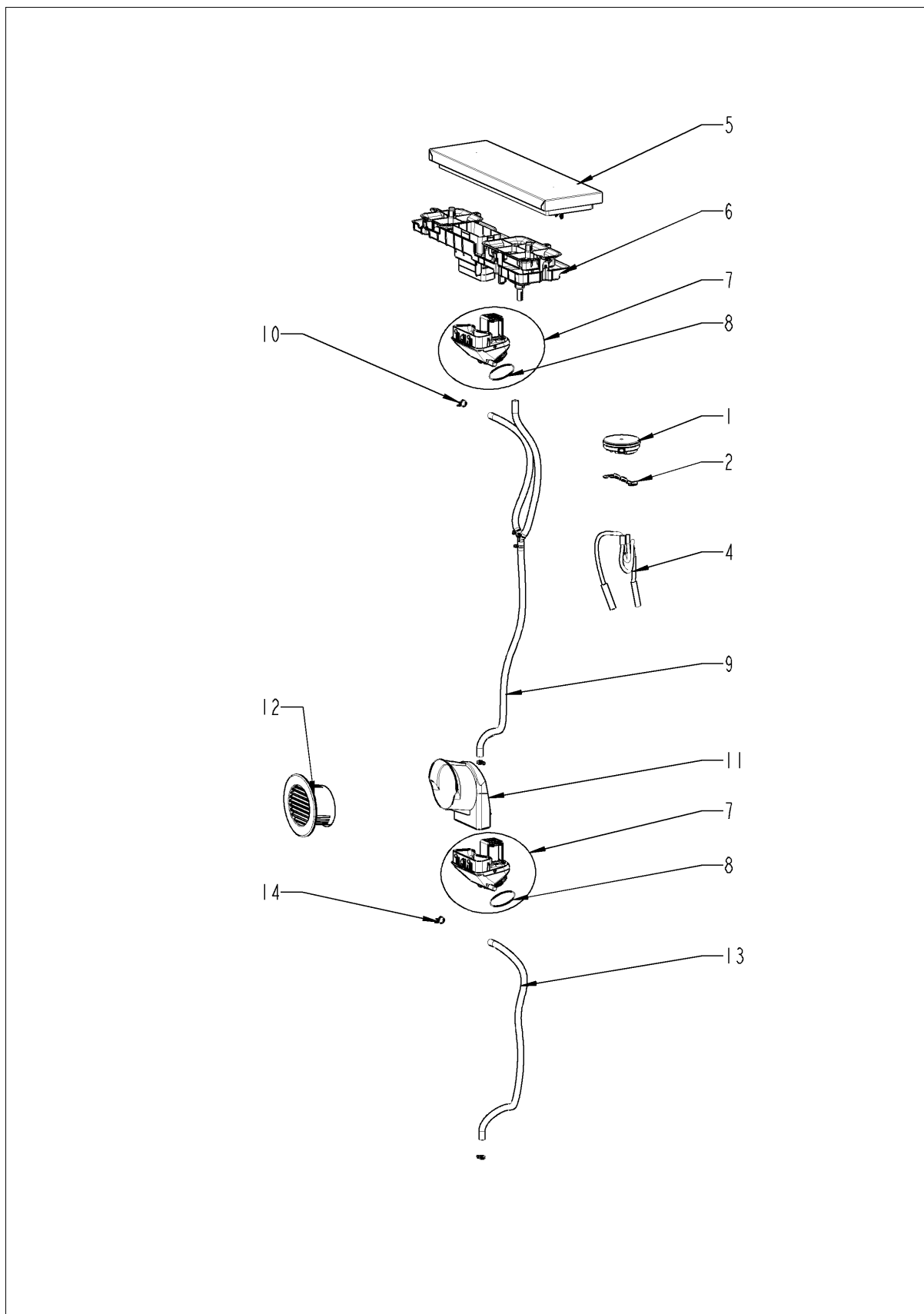
## Air shaft cpl.



## **Air shaft cpl.**

<b>Pos.</b>	<b>Part no.</b>	<b>Description</b>	<b>Qty.</b>
1	40.05.654P	Air inlet filter cpl.	1
2	40.06.728P	Loudspeaker K 64 WPTR	1

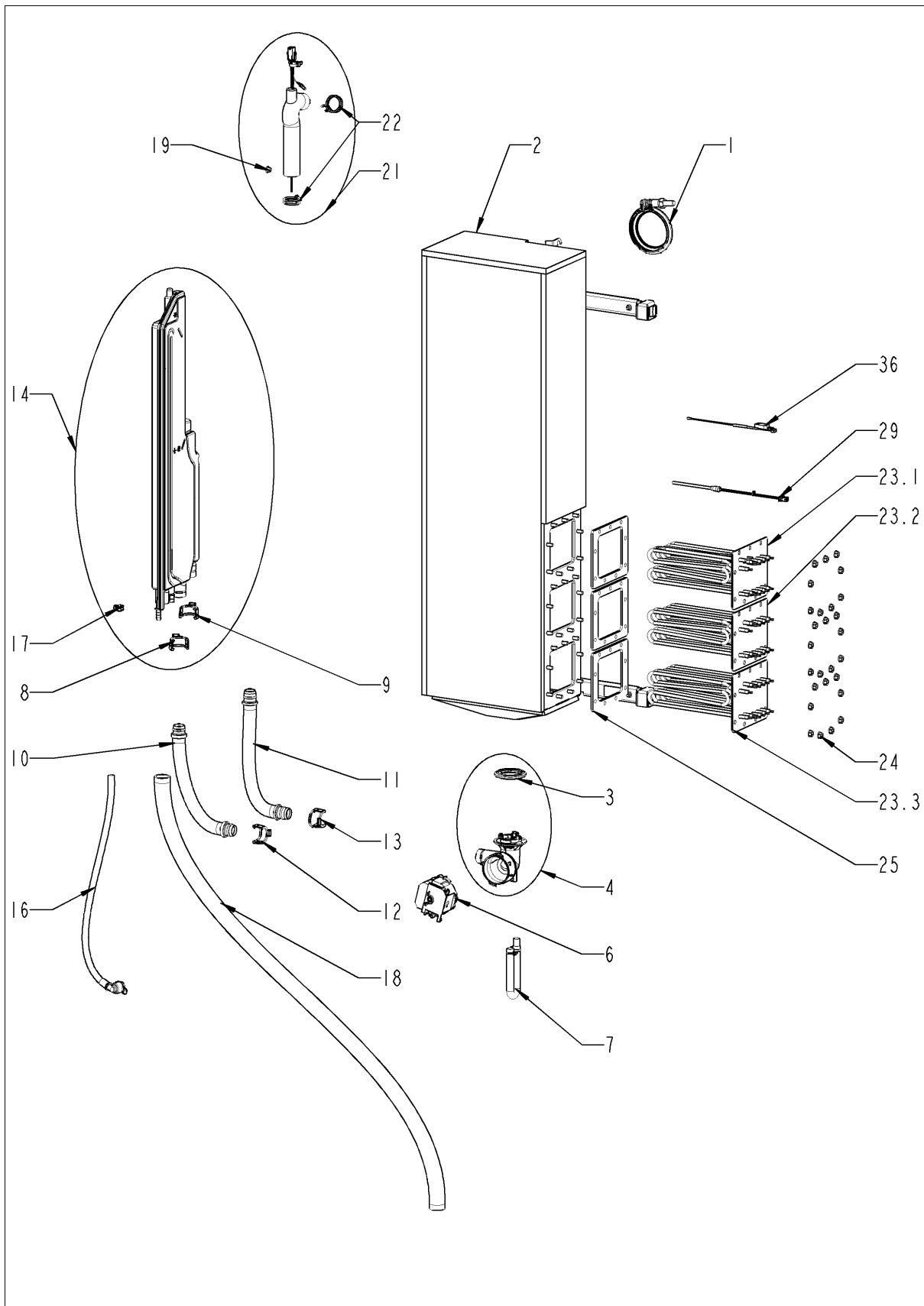
## ClimaPlus



## **ClimaPlus**

<b>Pos.</b>	<b>Part no.</b>	<b>Description</b>	<b>Qty.</b>
1	3017.1011P	Pressure sensor Huba 401	1
2	40.05.702P	Mounting device f. pressure sensor	1
4	22.00.525P	Hose set f. humidity control	1
5	40.06.214P	Vent cover	1
6	40.06.570P	Ventilation at top	1
7	22.01.402P	Humidity control cpl.	1
8	10.01.694P	O-ring for humidity control	4
9	22.01.468P	Drain hose for humidity control, top	1
10	2066.0527P	Hose clamp ø14mm	4
11	22.01.385P	Air inlet pipe	1
12	22.01.456P	Vent cover, left	1
13	22.01.402P	Humidity control cpl.	1
14	2066.0527P	Hose clamp ø14mm	2
21	22.01.402P	Humidity control cpl.	1

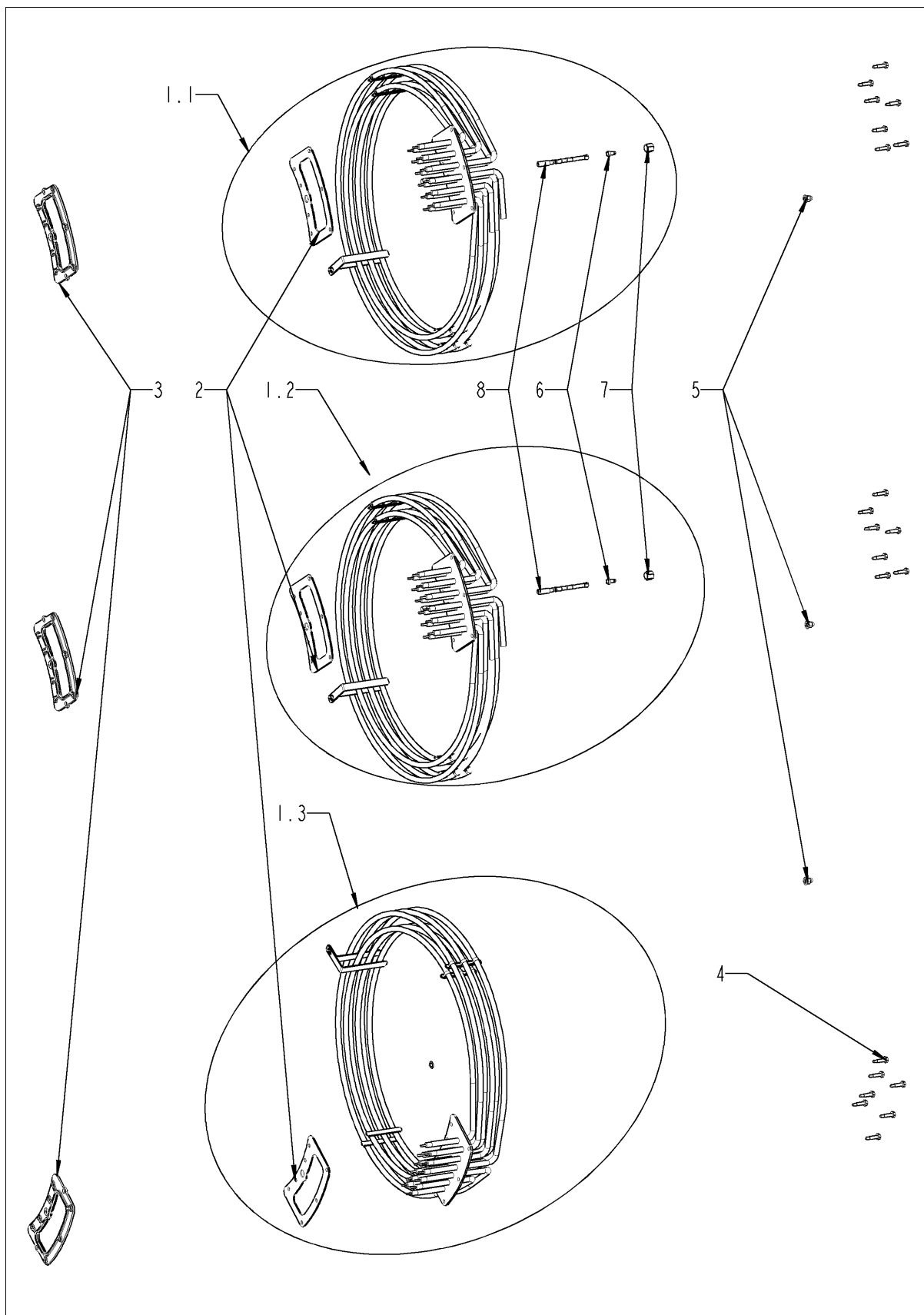
## Steam generator



## **Steam generator**

<b>Pos.</b>	<b>Part no.</b>	<b>Description</b>	<b>Qty.</b>
1	72.00.490P	V Clamp 70mm right	1
2	87.01.625S	Kit Steam generator insolated	1
3	44.02.200P	Gasket SC pump	1
4	44.02.179S	Pump housing	1
6	56.01.024P	Emptying pump	1
7	44.02.287P	Emergency drainage hose	1
8	10.01.707P	Locking ring 25mm	1
9	10.01.707P	Locking ring 25mm	1
10	44.02.227S	Supply hose safety armature	1
11	44.02.797S	Drain hose steam generator	1
12	10.01.707P	Locking ring 25mm	1
13	10.01.707P	Locking ring 25mm	1
14	87.01.548S	Safety device / water supply for steam generator	1
16	50.02.121P	Hose, water supply, steam generator	1
17	2066.0205P	Hose clamp 8-16x9 mm SW 7mm	1
18	44.02.232P	Drain hose steam generator	1
19	44.01.505P	Grommet Ø12x8,2	1
21	44.02.495S	Molded hose with level electrode	1
22	2066.0518P	Hose clamp 30mm	2
23.1	44.02.264S	Heating element with gasket	1
23.2	44.02.264S	Heating element with gasket	1
23.3	44.02.264S	Heating element with gasket	1
24	10.00.709P	Hex nut M6 w. locking	1
25	44.02.503P	Gasket f. heating element	1
29	40.06.133P	Temperature sensor eSTB 100mm	1
36	40.06.794P	Thermocouple steam generator *B5*	1

## Hot air heating

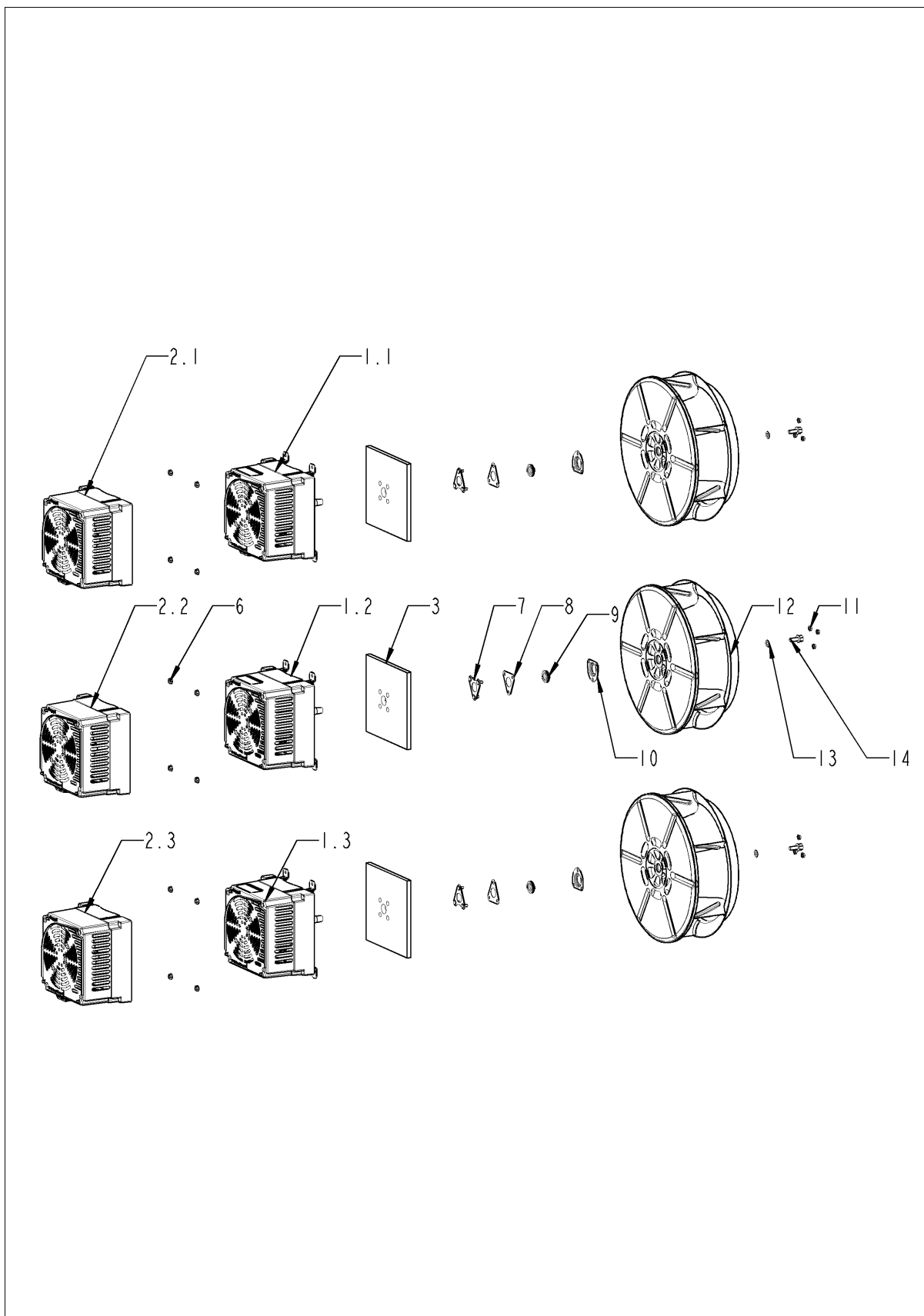




## **Hot air heating**

<b>Pos.</b>	<b>Part no.</b>	<b>Description</b>	<b>Qty.</b>
1.1	87.01.711S	Heating assembly with gasket	1
1.2	87.01.711S	Heating assembly with gasket	1
1.3	87.01.711S	Heating assembly with gasket	1
2	46.00.289P	Gasket f. heating assembly	3
3	46.00.290P	Mating flange f. heating assembly	3
4	10.00.109P	Hex screw M5x23	21
5	10.01.076P	Cap nut M5*A2	3
6	50.02.004P	Nozzle f. moistening	1
7	50.02.005P	Union nut	1
8	50.02.006P	Plastic pipe PEEK	1

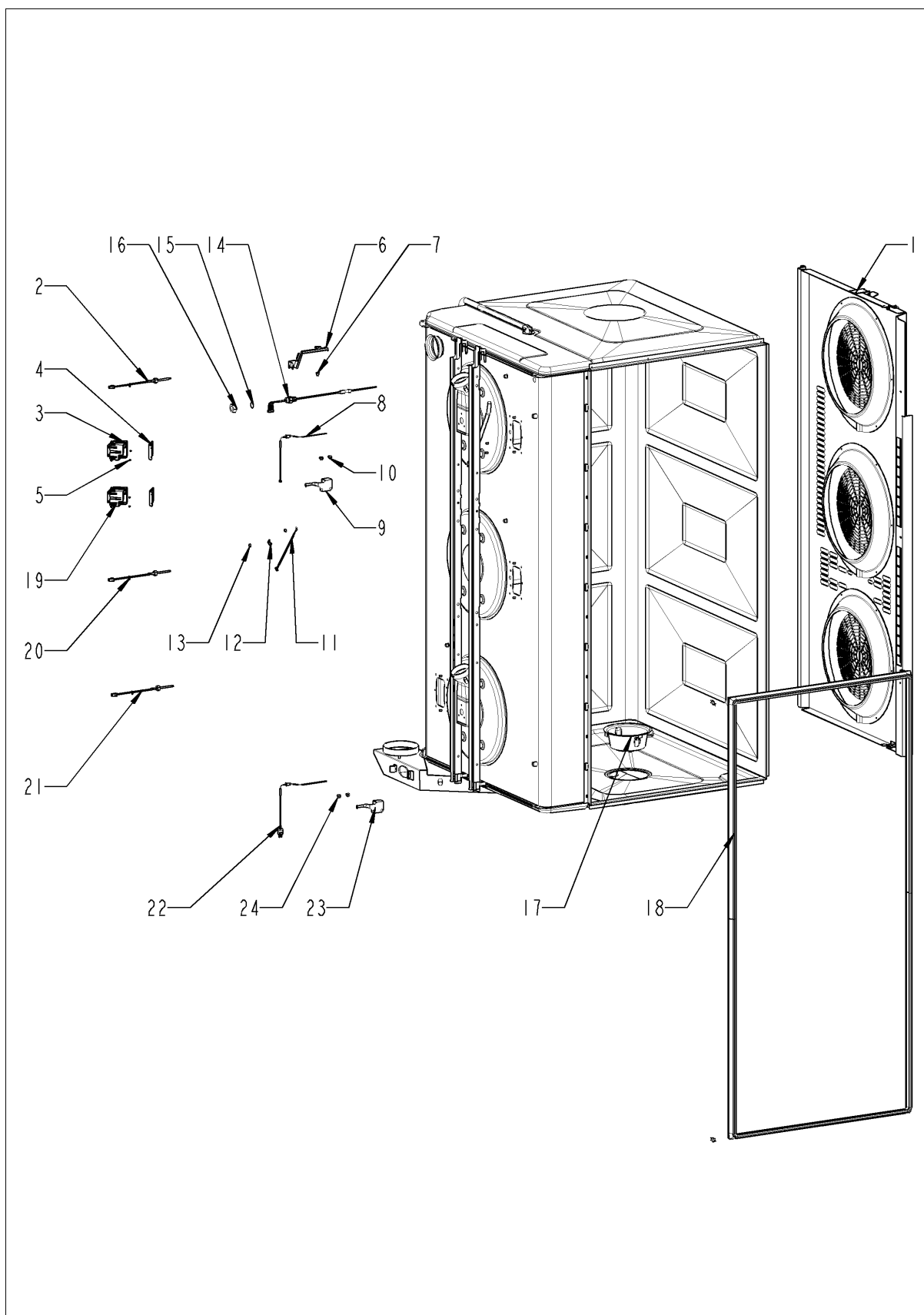
## Motor and fan wheel



## **Motor and fan wheel**

<b>Pos.</b>	<b>Part no.</b>	<b>Description</b>	<b>Qty.</b>
1.1	87.01.559S	Fan motor	1
1.2	87.01.559S	Fan motor	1
1.3	87.01.559S	Fan motor	1
2.1	42.00.278P	Motor control for fan motor	1
2.2	42.00.278P	Motor control for fan motor	1
2.3	42.00.278P	Motor control for fan motor	1
3	20.02.807P	Isolation for mounting plate for motor	3
6	10.00.709P	Hex nut M6 w. locking	12
7	22.01.423P	Mounting support f. gasket flange	3
8	22.01.425P	Graphit seal for gasket flange	3
9	22.00.985P	Motor shaft gasket D15	3
10	22.01.427P	Flange f. motor shaft gasket	3
11	10.01.076P	Cap nut M5*A2	9
12	22.01.151S	Fan wheel	3
13	1308.0162P	Washer A8,4	3
14	10.00.936P	Hex screw M8x20	3

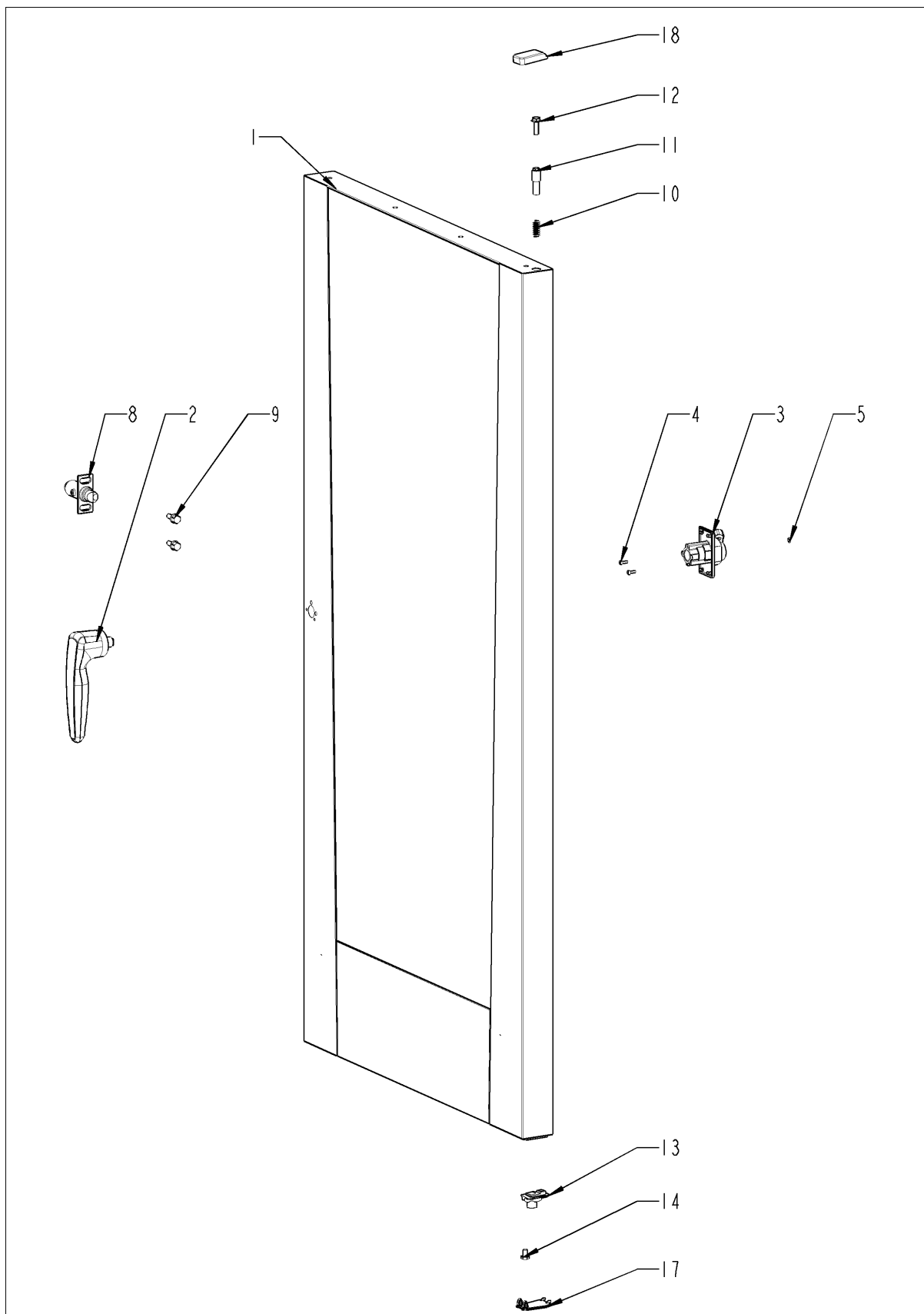
## Interior cabinet



## **Interior cabinet**

<b>Pos.</b>	<b>Part no.</b>	<b>Description</b>	<b>Qty.</b>
1	22.01.232P	Air baffle	1
2	40.06.112P	Temperature sensor eSTB	3
3	40.06.683P	Safety temperature limiter	1
4	40.06.053P	Fixing device for safety temperature limiter	2
5	10.00.515P	Rivet 3,2x6.8 A2/NSF	4
6	40.06.098P	Screen for safety temperature limiter	1
7	10.01.076P	Cap nut M5*A2	1
8	40.06.805P	Thermocouple interior cabinet B1	1
9	40.05.489P	Screen interior cabinet sensor	1
10	10.01.076P	Cap nut M5*A2	2
11	40.06.792S	Thermocouple humidity *B4*	1
12	10.00.087P	Clamp strap f. sensor	1
13	10.01.065P	Hex nut M5	1
14	40.06.810P	Meat probe sensor	1
15	1315.0104P	Copper washer 16x20x1,5	1
16	10.01.751P	Hex nut M16 DIN934 A2	1
17	56.01.503P	Outlet sieve	1
18	20.00.399P	Door gasket	1
19	40.06.685P	Safety temperature limiter	1
20	40.06.112P	Temperature sensor eSTB	1
21	40.06.112P	Temperature sensor eSTB	1
22	40.06.891P	Thermocouple interior cabinet B9	1
23	40.05.489P	Screen interior cabinet sensor	1
24	10.01.076P	Cap nut M5*A2	2

## Door



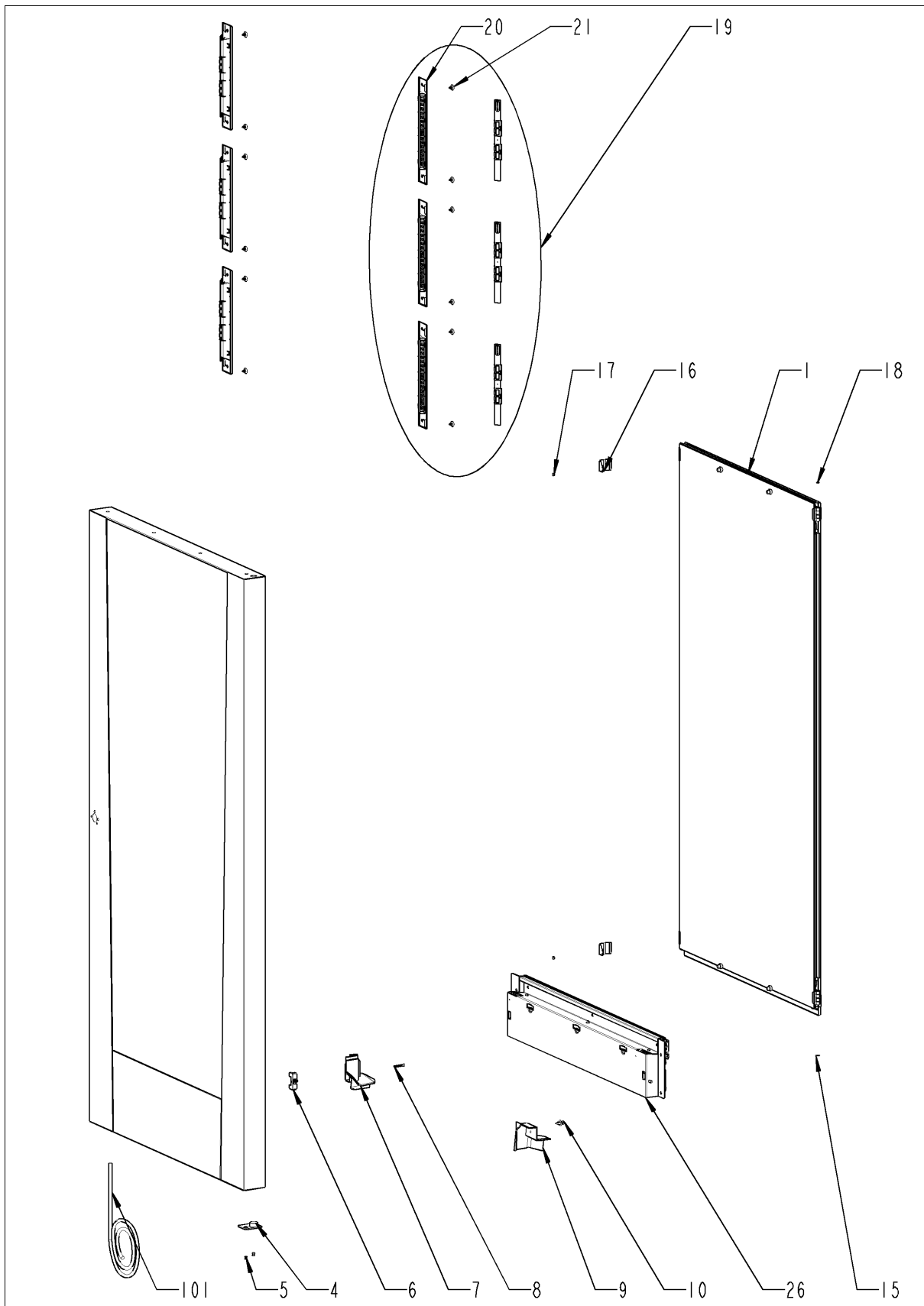
**iCombi® ab 03/2020 202 - 20 x 2/1 Gastronorm  
E22SJ2007**

---

## **Door**

<b>Pos.</b>	<b>Part no.</b>	<b>Description</b>	<b>Qty.</b>
1	24.04.112S	Door	1
2	24.04.441P	Door handle OEM	1
3	24.04.244P	Door lock	1
5	10.00.090P	Cap f. Torx T30	1
8	24.01.351P	Door catch	1
9	10.00.936P	Hex screw M8x20	2
10	2001.0109P	Compression spring	1
11	24.03.040P	Door bolt	1
12	10.01.880P	Ornamental screw M8x25	1
13	24.04.245P	Door bolt	1
14	10.00.099S	Hex screw M8x12	1
17	12.02.605P	Cap for door mounting support bottom	1
18	16.04.110P	Cover for door mounting support	1
21	24.05.002P	Stop spacer	1

## Door





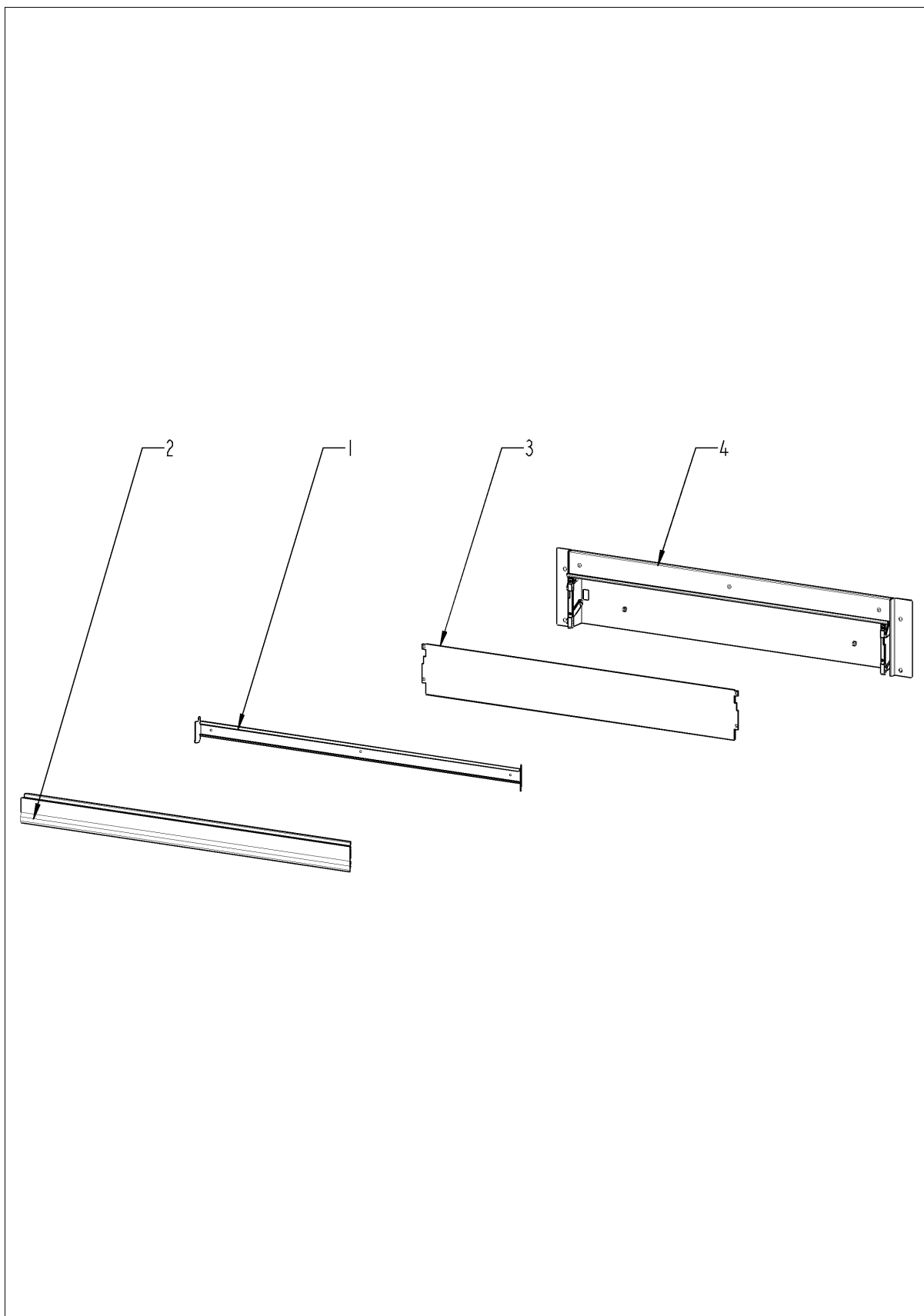
**iCombi® ab 03/2020 202 - 20 x 2/1 Gastronorm  
E22SJ2007**

---

## **Door**

<b>Pos.</b>	<b>Part no.</b>	<b>Description</b>	<b>Qty.</b>
1	24.05.228S	Glass pane bundle	1
4	24.04.219P	Door setting bolt	1
5	10.00.904P	Rivet B4x8	2
6	24.04.619P	Fixing device f. magnet with magnet	1
7	24.04.213S	Bracket left f. door floor model	1
8	1604.0161P	Rivet 4x6 CNS	1
9	24.04.212S	Bracket right f. door floor model	1
10	10.00.989P	Rivet with screw	1
15	24.03.057P	Abrasion protection for glide socket	1
16	24.03.787S	Fixing bracket kit for interior glass pane	2
17	1604.0161P	Rivet 4x6 CNS	1
18	24.03.062P	Cover cap for door	1
19	87.01.578S	LED bar	6
20	87.01.586S	LED optics	6
21	24.05.458P	Plastic spreader rivet	12
26	24.04.232S	Pre heat mechanism f. door cpl.	1
101	87.01.595S	Cable, interior light W40 *door lighting*	1

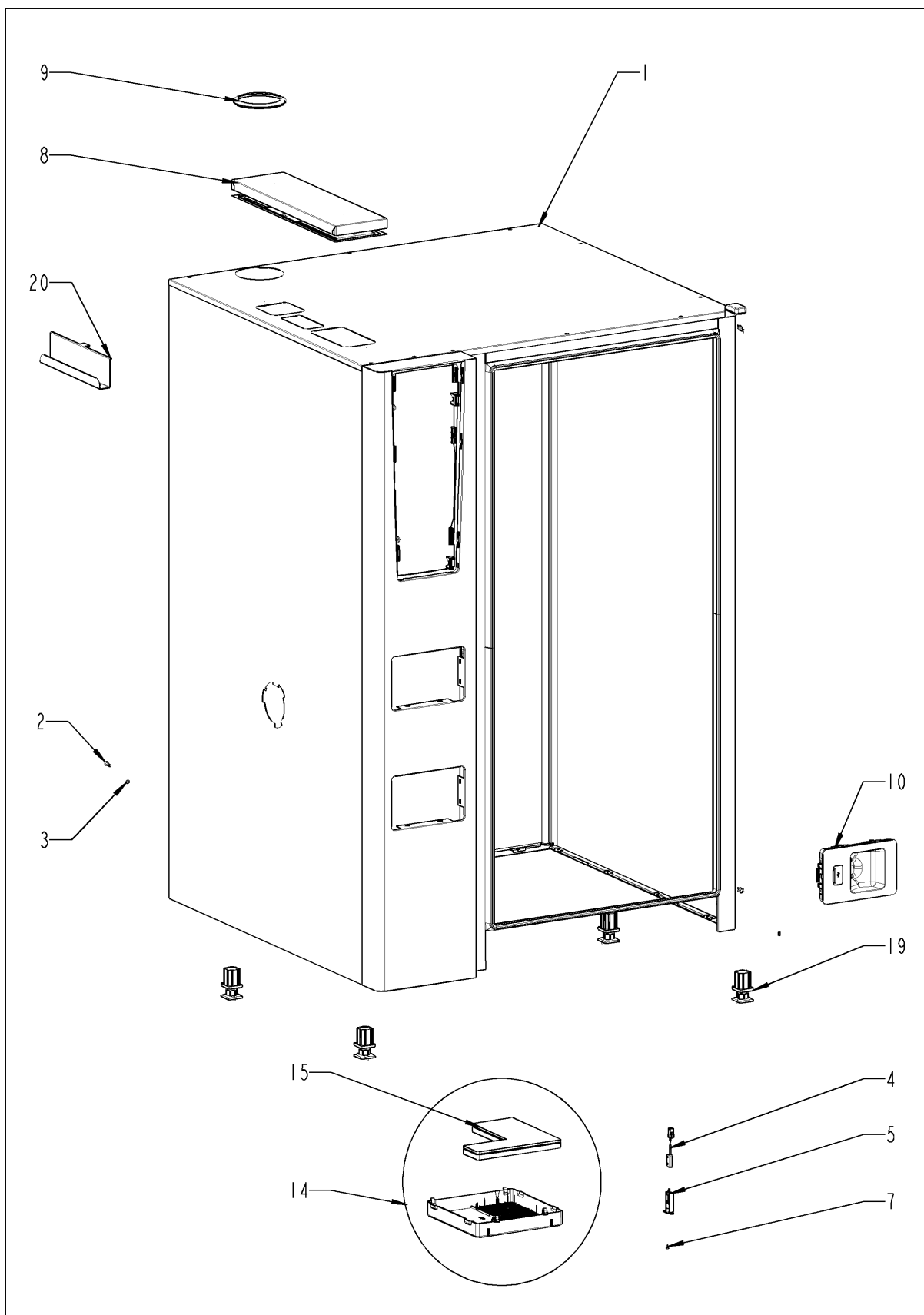
## Pre heat mechanism f. door



## **Pre heat mechanism f. door**

<b>Pos.</b>	<b>Part no.</b>	<b>Description</b>	<b>Qty.</b>
1	24.04.469S	Gasket support	1
2	24.05.092P	Gasket glass pane/trolley	1
3	24.04.677S	Pre heat sheet f. door	1
4	87.01.635S	Flap mechanism	1

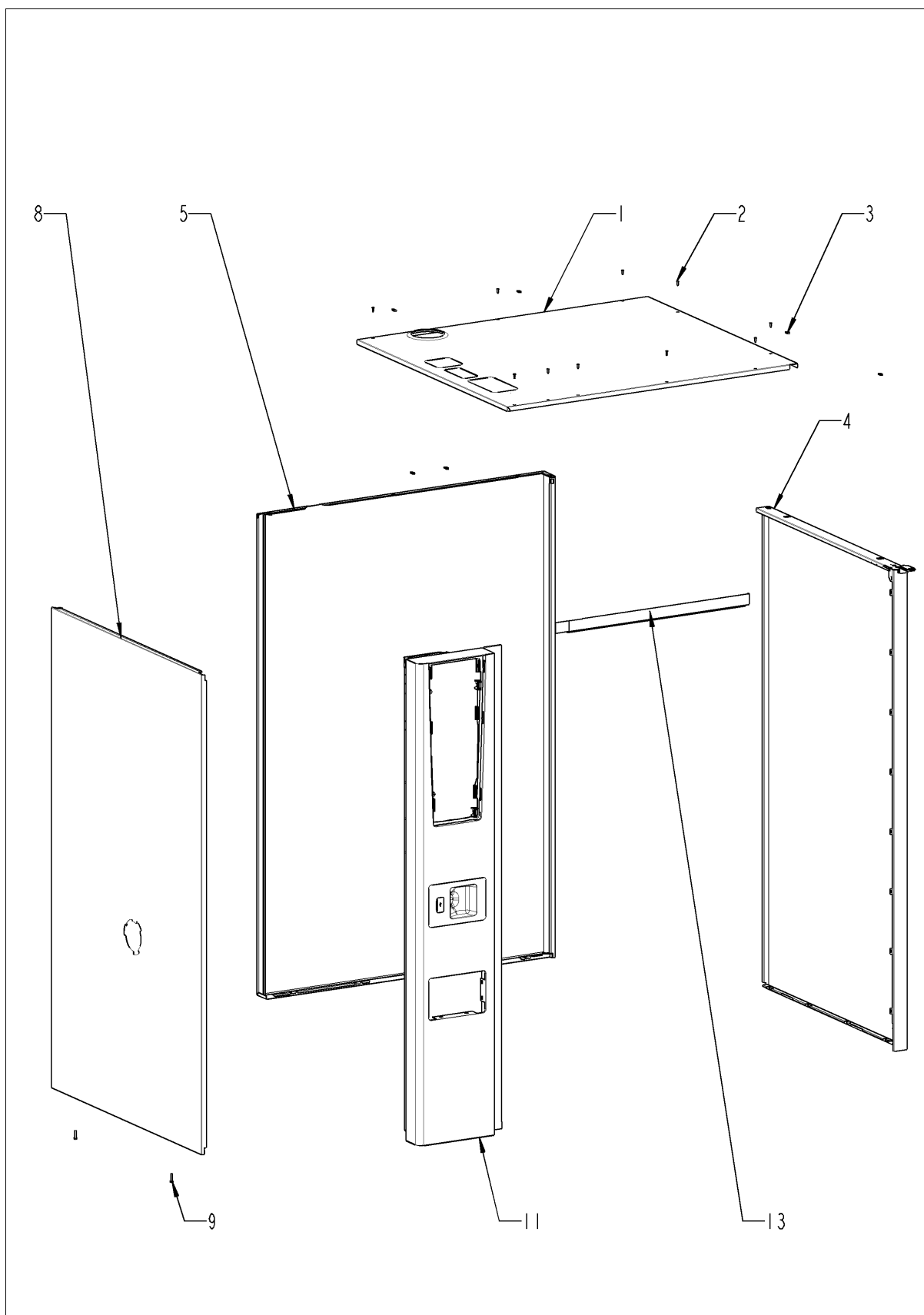
## Exterior cabinet



## **Exterior cabinet**

<b>Pos.</b>	<b>Part no.</b>	<b>Description</b>	<b>Qty.</b>
1		Exterior cabinet	1
2	10.01.755P	Countersunk screw M5x20 A2	1
3	1206.0120P	Tooth lock washer A6,4	1
4	40.06.380P	Door switch	1
5	16.00.384S	Bracket for door contact switch	1
7	10.00.103P	EJOT PT-screw KA 3.5x10	1
8	40.06.214P	Vent cover	1
9	16.03.729P	Gasket f. breather tube d=117.3mm	1
10	56.01.430P	Tulip for handshower	1
14	40.05.657P	Air inlet filter cpl.	1
15	40.05.654P	Air inlet filter cpl.	1
19	2039.0111P	Foot adjustable, metal, 40 x 40	4
20	60.72.206	Holder for handle mobile oven rack Type 20-1/1, 20-2/1	1

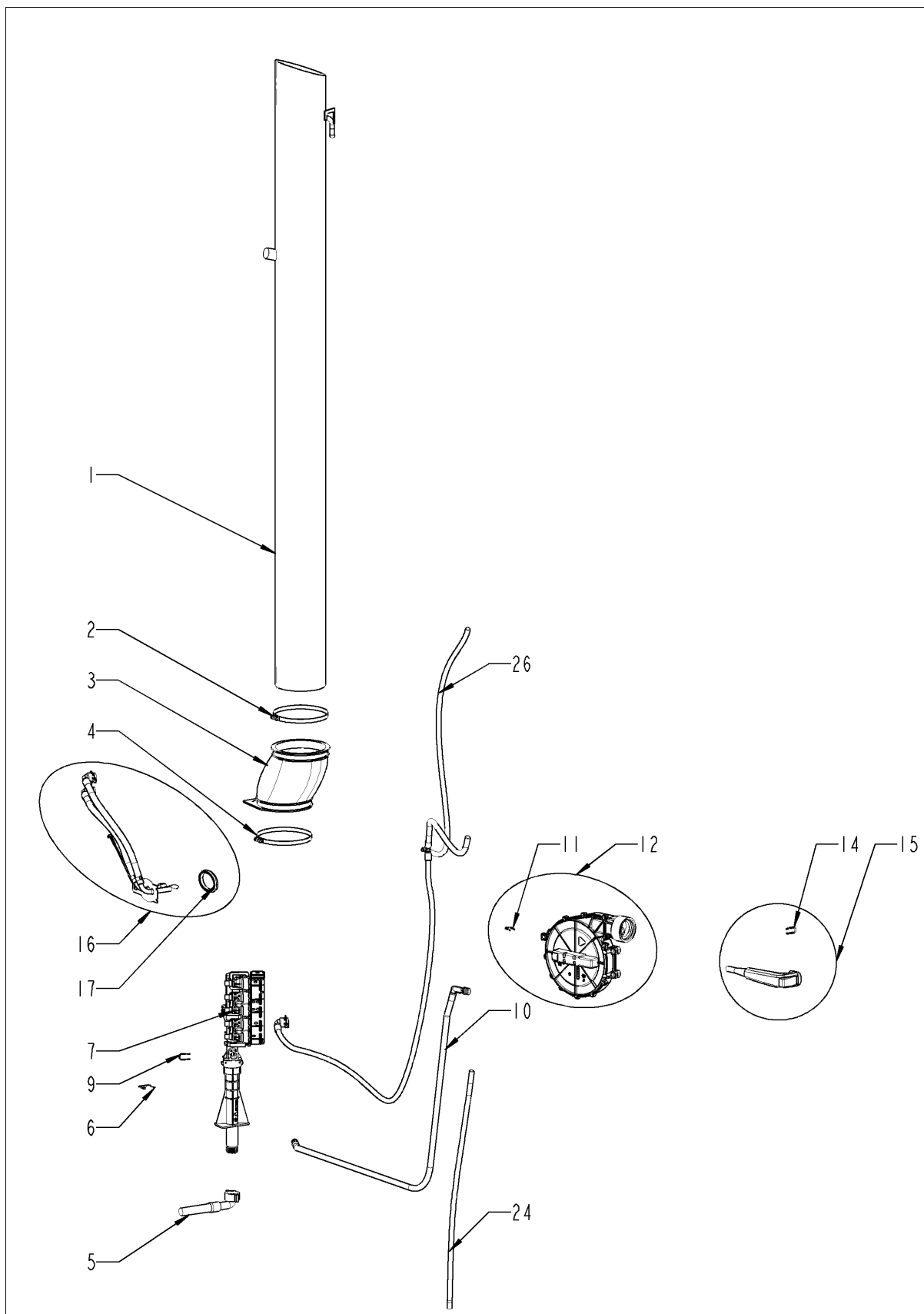
## Exterior cabinet



## **Exterior cabinet**

<b>Pos.</b>	<b>Part no.</b>	<b>Description</b>	<b>Qty.</b>
1	16.03.456P	Top cover	1
2	1003.2265P	Countersunk self tapping screw 4,2x16	10
3	1104.0820P	Snap nut 4,2mm	10
4	16.04.082P	Side panel right	1
5	16.04.089P	Back panel, right	1
8	16.03.458P	Side panel left	1
9	10.01.755P	Countersunk screw M5x20 A2	2
11	16.03.688P	Front panel	1
13	16.03.453P	Crossbar top	1

## Water

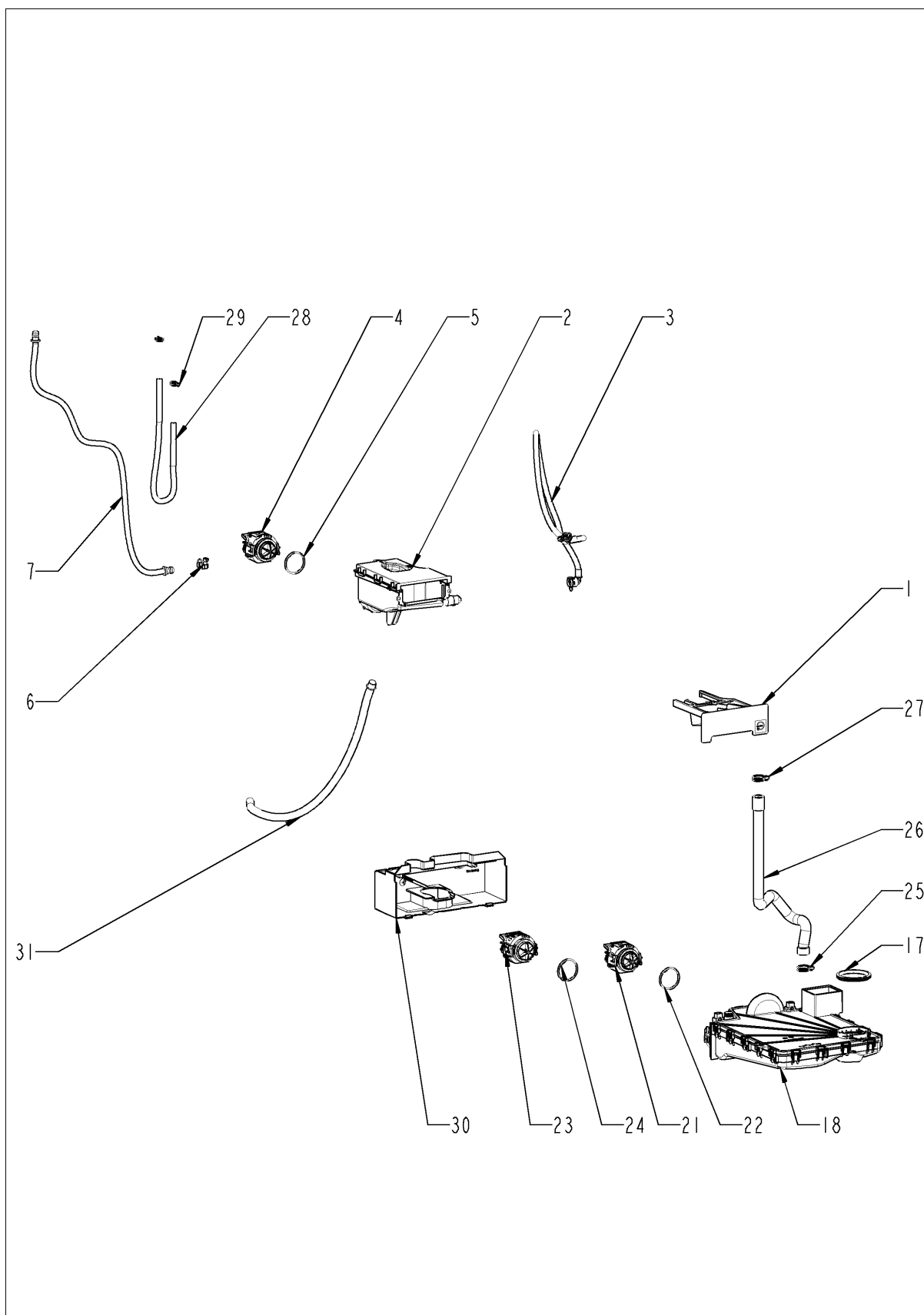




## **Water**

<b>Pos.</b>	<b>Part no.</b>	<b>Description</b>	<b>Qty.</b>
1	54.01.929P	Ventilation pipe	1
2	10.01.667P	Hose clamp 122mm	1
3	54.01.650S	Rubber form piece venting pipe	1
4	10.01.667P	Hose clamp 122mm	1
5	2067.0709P	Hose for water supply 2500mm	1
6	50.00.086P	Locking plate f. water distribution	1
7	50.02.012P	Solenoid valve fivefold	1
9	50.00.085P	Plug-in spring f. hand shower roll guide	1
10	52.00.137S	Connect. hose f. hand shower roll guide	1
11	50.00.085P	Plug-in spring f. hand shower roll guide	1
12	52.00.099P	Hand shower roll guide	1
14	50.00.156P	Clamp f. hand shower roll guide	1
15	52.00.127S	Hand shower black	1
16	54.01.864S	Inspection lid, B2	1
17	54.01.168P	Gasket f. inspection lid	1
24	52.00.146P	Hose f. hand shower	1
26	50.02.200P	Supply hose for moistening	1

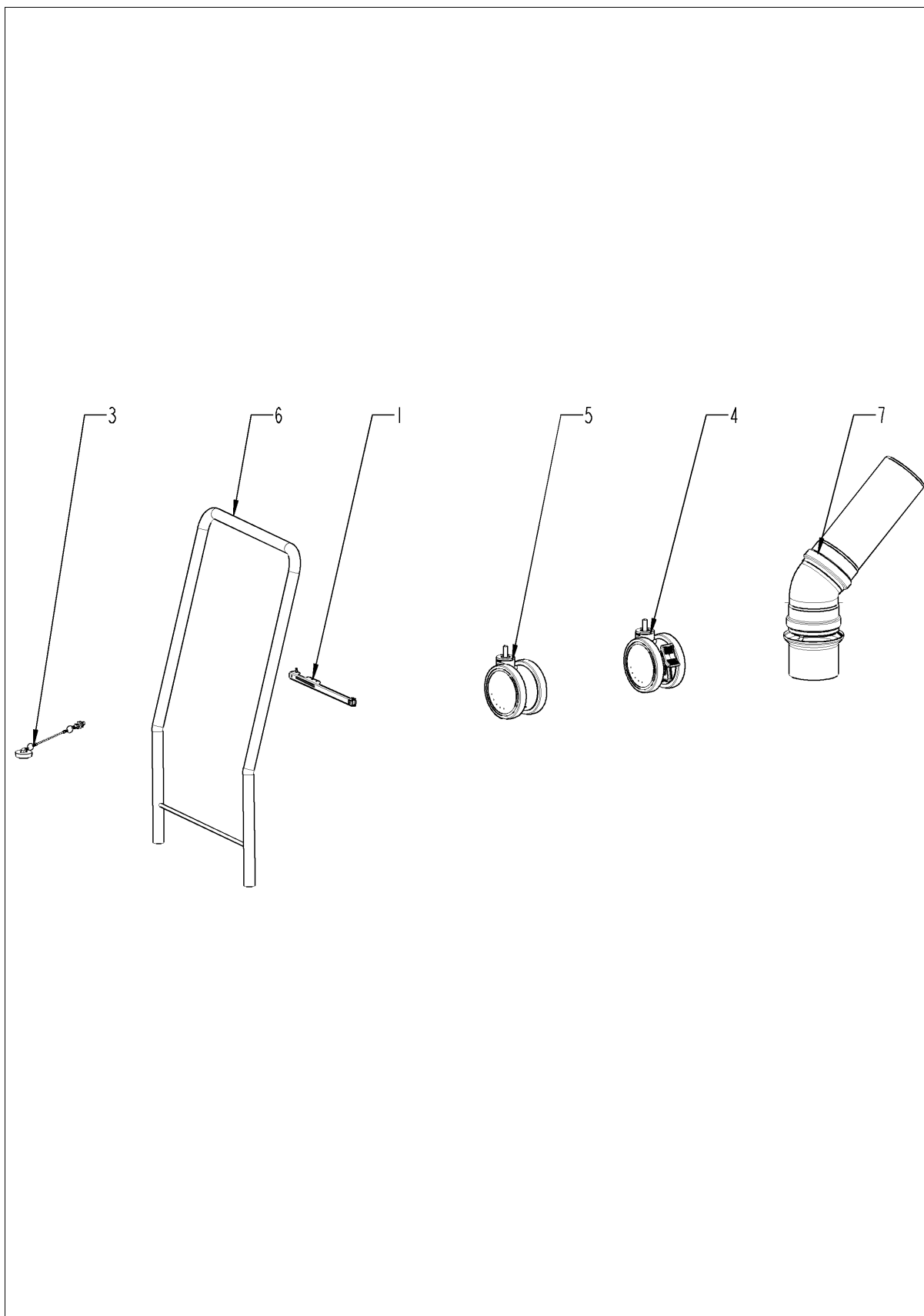
## CleanJet + Care



## **CleanJet + Care**

<b>Pos.</b>	<b>Part no.</b>	<b>Description</b>	<b>Qty.</b>
1	56.00.952P	Drawer Care container	1
2	56.01.466P	Care container with pump	1
3	50.02.137P	Supply hose for "Care box"	1
4	56.01.028P	Pump f. CareControl	1
5	56.01.631P	O-ring for pump	1
6	10.01.703P	Locking ring 16 mm	1
7	56.01.508S	Care hose	1
8	10.01.703P	Locking ring 16 mm	1
17	56.01.461P	Gasket DN60	1
18	56.01.370P	Cleaning box	1
21	56.01.017P	Waste water pump Cleaning box	1
22	56.01.631P	O-ring for pump	1
23	56.01.020P	Pump f. cleaning	1
24	56.01.631P	O-ring for pump	1
25	2066.0521P	Hose clamp 27mm	1
26	56.01.328S	CleanJet hose	1
27	2066.0521P	Hose clamp 27mm	1
28	56.01.627S	Silicone hose with hose clamps	1
29	10.01.994P	Hose clamp 15.88 mm	2
30	87.01.637S	Cover for pump	1
31	56.01.501P	Emergency overflow-tube	1

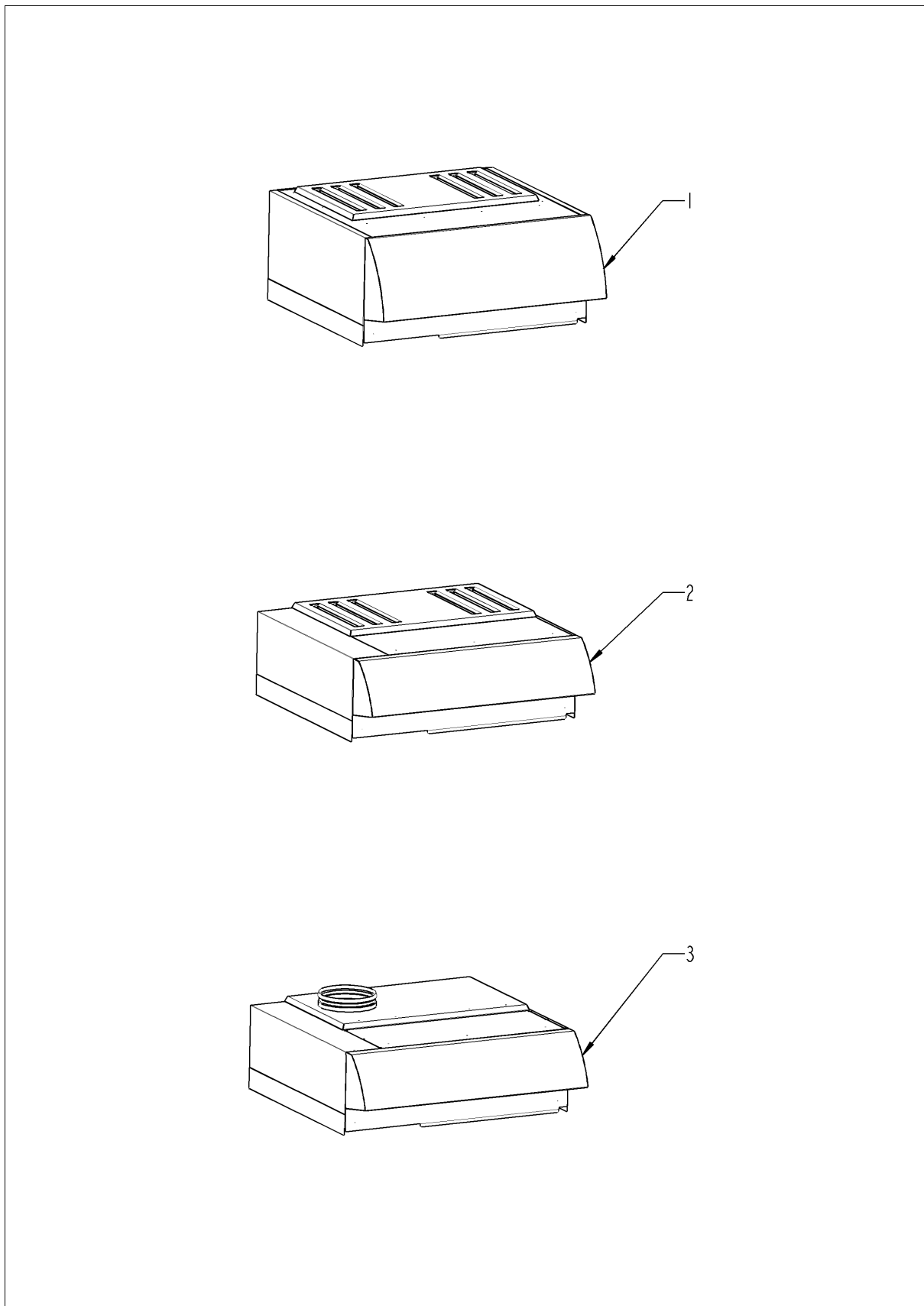
## Standard accessory



## **Standard accessory**

<b>Pos.</b>	<b>Part no.</b>	<b>Description</b>	<b>Qty.</b>
1	60.71.022P	Positioning support f. core sensor	1
3	60.60.566P	Drain plug with chain for trolley	1
4	60.74.681P	Castor with brake ø125mm	2
5	60.74.680P	Castor without brake ø125mm	2
6	60.22.072P	Handle for mobile oven rack	1
7	60.75.326	Condensation breaker	1
8		Exhaust hood	1

## Exhaust hood



## **Exhaust hood**

<b>Pos.</b>	<b>Part no.</b>	<b>Description</b>	<b>Qty.</b>
1		UltraVent Plus	1
2		UltraVent	1
3		Extractor hood	1

**iCombi® ab 03/2020 202 - 20 x 2/1 Gastronorm**  
**E22SJ2007**

---

## **UltraVent Plus**



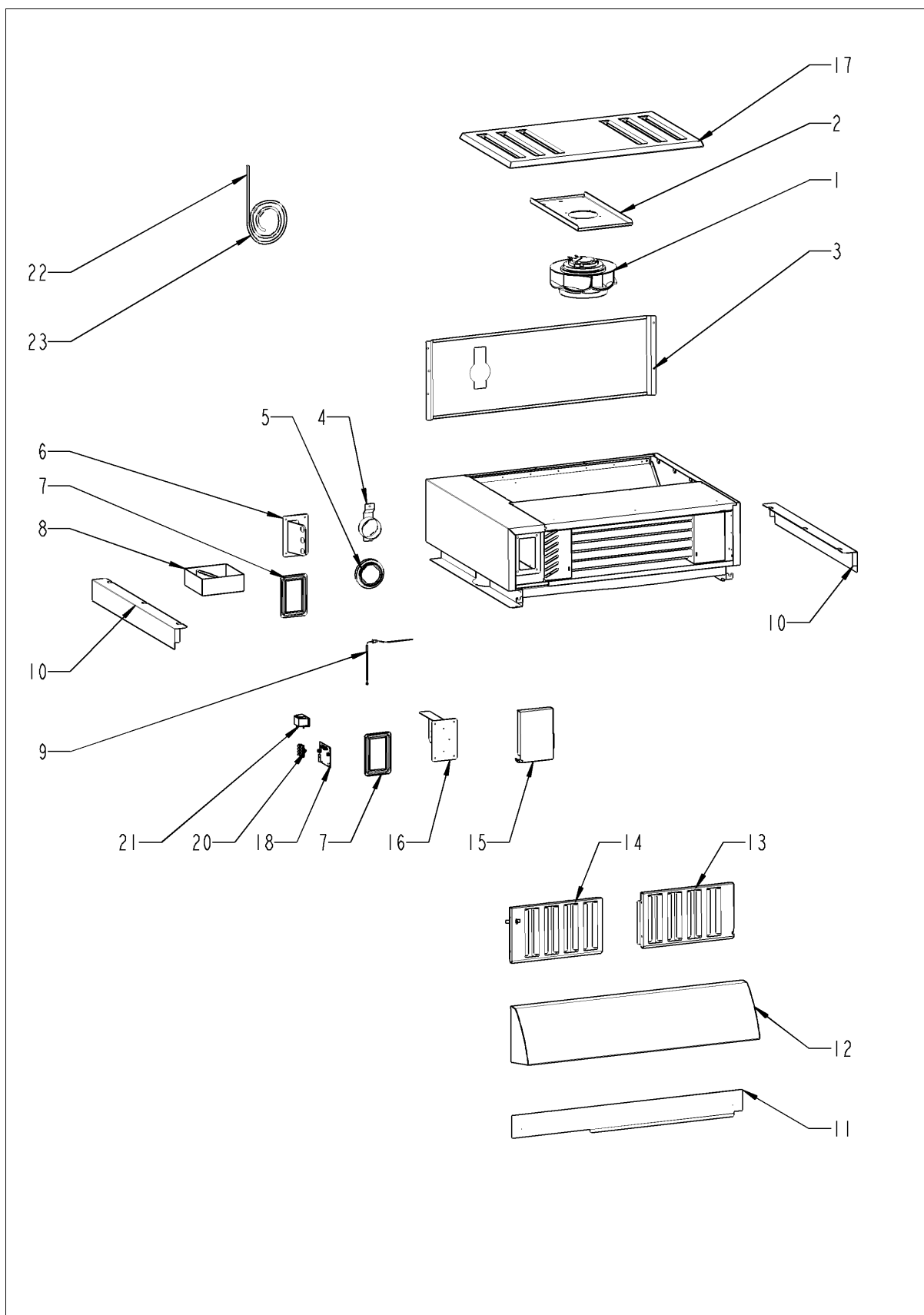
**iCombi® ab 03/2020 202 - 20 x 2/1 Gastronorm  
E22SJ2007**

---

# **UltraVent Plus**

<b>Pos.</b>	<b>Part no.</b>	<b>Description</b>	<b>Qty.</b>
-------------	-----------------	--------------------	-------------

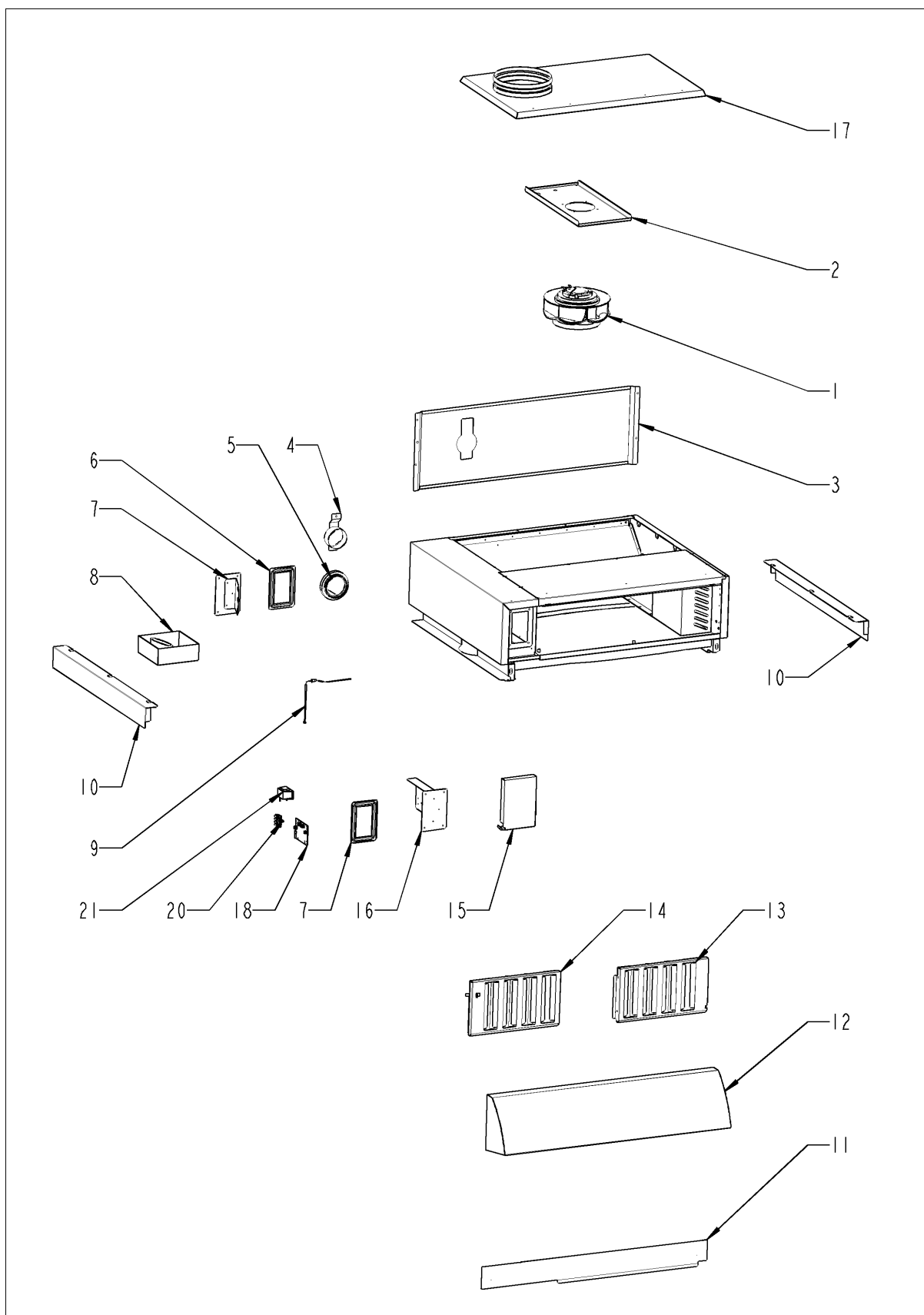
## UltraVent



## **UltraVent**

<b>Pos.</b>	<b>Part no.</b>	<b>Description</b>	<b>Qty.</b>
1	60.74.890S	Blower motor for Ultravent	1
1	60.74.889S	Blower motor for Ultravent	1
2	60.75.179S	Motor mounting plate	1
3	60.75.220S	Heat protection plate	1
4	60.75.215S	Closure Combi-Duo 70mm	1
6	60.75.171S	Electrical box cover back	1
7	60.75.212P	Electrical box seal	1
8	60.75.161P	Condensate collector 114,3mm	1
9	40.05.995P	Thermocouple	1
10	60.75.182P	side panels	1
11	60.75.185S	Front panel	1
12	60.75.197S	Front hood	1
13	60.76.456P	Baffle plate filter right	1
14	60.75.201P	Baffle plate filter left	1
15	60.75.209P	Electrical box cover	1
16	60.75.175S	Electric box cover front	1
17	60.76.534S	IPX5 Coverage	1
18	42.00.308S	Control pcb	1
19	60.76.574P	spacer CPU	1
20	60.76.447S	Connection terminal	1
21	60.76.448S	power chokes	1
21	60.76.449P	Capacitors	1
22	40.06.596P	Bus cable	1
24	87.01.781S	Thermocouple	1

## Extractor hood



## **Extractor hood**

<b>Pos.</b>	<b>Part no.</b>	<b>Description</b>	<b>Qty.</b>
1	60.74.890S	Blower motor for Ultravent	1
1	60.74.889S	Blower motor for Ultravent	1
2	60.75.179S	Motor mounting plate	1
3	60.75.220S	Heat protection plate	1
6	60.75.171S	Electrical box cover back	1
7	60.75.212P	Electrical box seal	1
8	60.75.161P	Condensate collector 114,3mm	1
9	40.05.995P	Thermocouple	1
10	60.75.182P	side panels	1
11	60.75.185S	Front panel	1
12	60.75.197S	Front hood	1
13	60.76.456P	Baffle plate filter right	1
14	60.75.201P	Baffle plate filter left	1
15	60.75.209P	Electrical box cover	1
16	60.75.175S	Electric box cover front	1
17	60.76.546S	Exhaust air plate	1
18	42.00.308S	Control pcb	1
19	60.76.574P	spacer CPU	1
20	60.76.447S	Connection terminal	1
21	60.76.448S	power chokes	1
21	60.76.449P	Capacitors	1
22	40.06.596P	Bus cable	1
24	87.01.781S	Thermocouple	1

## Index

<b>Part no.</b>	<b>Description</b>	<b>Page</b>
24.03.057P	Abrasion protection for glide socket .....	25
22.01.232P	Air baffle .....	21
40.05.654P	Air inlet filter cpl. ....	11, 29
40.05.657P	Air inlet filter cpl. ....	29
22.01.385P	Air inlet pipe .....	13
87.01.619S	Air shaft cpl. ....	7
40.03.137P	Auxilliary contact B&J HB11T*K3-3200 230 EUR .....	9
16.04.089P	Back panel, right .....	31
60.75.201P	Baffle plate filter left .....	43, 45
60.76.456P	Baffle plate filter right .....	43, 45
60.74.890S	Blower motor for Ultravent .....	43, 45
60.74.889S	Blower motor for Ultravent .....	43, 45
16.00.384S	Bracket for door contact switch .....	29
24.04.213S	Bracket left f. door floor model .....	25
24.04.212S	Bracket right f. door floor model .....	25
40.06.596P	Bus cable .....	43, 45
40.05.858P	Bus cable 1.08m .....	7
40.07.148P	Bus cable 1.73m .....	7
40.07.147P	Bus cable 1.96m .....	7
40.00.320P	Cable connection M20x1.5 .....	7
40.04.495P	Cable connection M25 ø5mm *divisible* .....	7
40.06.173P	Cable contactor-SSR .....	7
40.06.149P	Cable control harness .....	7
40.06.760P	Cable control pcb - capacitive switch .....	5
40.06.569P	Cable CPU - TFT .....	5
40.06.878P	Cable holder .....	7
40.06.248P	Cable SC pump .....	7
40.06.251P	Cable, Care pump .....	7
40.06.242P	Cable, circulation pump .....	7
87.01.595S	Cable, interior light W40 *door lighting* .....	25
40.06.718P	Cable, interior light W57 *door lighting* .....	7
40.06.245P	Cable, sewage pump .....	7

## **Index**

<b>Part no.</b>	<b>Description</b>	<b>Page</b>
10.00.090P	Cap f. Torx T30 .....	23
12.02.605P	Cap for door mounting support bottom .....	23
10.01.076P	Cap nut M5*A2 .....	17, 19, 21
60.76.449P	Capacitors .....	43, 45
56.01.466P	Care container with pump .....	35
56.01.508S	Care hose .....	35
60.74.681P	Castor with brake ø125mm .....	37
60.74.680P	Castor without brake ø125mm .....	37
50.00.156P	Clamp f. hand shower roll guide .....	33
10.00.087P	Clamp strap f. sensor .....	21
56.01.370P	Cleaning box .....	35
56.01.328S	CleanJet hose .....	35
60.75.215S	Closure Combi-Duo 70mm .....	43
2001.0109P	Compression spring .....	23
60.75.161P	Condensate collector 114,3mm .....	43, 45
60.75.326	Condensation breaker .....	37
52.00.137S	Connect. hose f. hand shower roll guide .....	33
60.76.447S	Connection terminal .....	43, 45
40.03.668P	Contacto B&J K3-24B00 190 R .....	9
87.01.648S	Control panel insert *FU* .....	5
42.00.308S	Control pcb .....	43, 45
42.00.251P	Control pcb (w/o SD-Card) .....	5
40.06.355P	Cooling fan .....	7
40.05.994P	Cooling fan 11938MB .....	7
1315.0104P	Copper washer 16x20x1,5 .....	21
10.01.755P	Countersunk screw M5x20 A2 .....	29, 31
1003.2265P	Countersunk self tapping screw 4,2x16 .....	31
24.03.062P	Cover cap for door .....	25
16.03.735P	Cover f. control pcb w. gasket .....	5
16.04.110P	Cover for door mounting support .....	23
87.01.637S	Cover for pump .....	35
16.03.453P	Crossbar top .....	31

## Index

<b>Part no.</b>	<b>Description</b>	<b>Page</b>
16.03.756P	Dial f. pulse generator .....	5
24.04.112S	Door .....	23
24.03.040P	Door bolt .....	23
24.04.245P	Door bolt .....	23
24.01.351P	Door catch .....	23
20.00.399P	Door gasket .....	21
24.04.441P	Door handle OEM .....	23
24.04.244P	Door lock .....	23
24.04.219P	Door setting bolt .....	25
40.06.380P	Door switch .....	29
22.01.468P	Drain hose for humidity control, top .....	13
44.02.797S	Drain hose steam generator .....	15
44.02.232P	Drain hose steam generator .....	15
60.60.566P	Drain plug with chain for trolley .....	37
56.00.952P	Drawer Care container .....	35
40.01.610P	Earth terminal 20 WKN 70SL/U .....	9
10.00.103P	EJOT PT-screw KA 3.5x10 .....	29
60.75.175S	Electric box cover front .....	43, 45
60.75.209P	Electrical box cover .....	43, 45
60.75.171S	Electrical box cover back .....	43, 45
60.75.212P	Electrical box seal .....	43, 45
40.06.389P	Electrical mounting plate .....	9
42.00.336P	Electronic noise filter .....	9
44.02.287P	Emergency drainage hose .....	15
56.01.501P	Emergency overflow-tube .....	35
56.01.024P	Emptying pump .....	15
4001.1203P	End plate for mounting rail .....	9
60.76.546S	Exhaust air plate .....	45
87.01.559S	Fan motor .....	19
22.01.151S	Fan wheel .....	19
24.03.787S	Fixing bracket kit for interior glass pane .....	25
40.03.756P	Fixing clip f. pcb .....	9



## **Index**

<b>Part no.</b>	<b>Description</b>	<b>Page</b>
24.04.619P	Fixing device f. magnet with magnet .....	25
40.06.053P	Fixing device for safety temperature limiter .....	21
16.03.747P	Fixing display / pcb .....	5
22.01.427P	Flange f. motor shaft gasket .....	19
87.01.635S	Flap mechanism .....	27
2039.0111P	Foot adjustable, metal, 40 x 40 .....	29
60.75.197S	Front hood .....	43, 45
16.03.688P	Front panel .....	31
60.75.185S	Front panel .....	43, 45
40.06.767P	Fuse 4A *Typ 5HT 4-R* .....	9
40.01.491S	Fuse holder block neozed 3ph 63 A .....	9
3019.0405P	Fuse neozed 63A .....	9
56.01.461P	Gasket DN60 .....	35
16.03.729P	Gasket f. breather tube d=117.3mm .....	29
46.00.289P	Gasket f. heating assembly .....	17
44.02.503P	Gasket f. heating element .....	15
54.01.168P	Gasket f. inspection lid .....	33
24.05.092P	Gasket glass pane/trolley .....	27
44.02.200P	Gasket SC pump .....	15
24.04.469S	Gasket support .....	27
24.05.228S	Glass pane bundle .....	25
22.01.425P	Graphit seal for gasket flange .....	19
44.01.505P	Grommet Ø12x8,2 .....	15
52.00.127S	Hand shower black .....	33
52.00.099P	Hand shower roll guide .....	33
60.22.072P	Handle for mobile oven rack .....	37
60.75.220S	Heat protection plate .....	43, 45
40.04.211P	Heat sink 3 SSR .....	7
87.01.711S	Heating assembly with gasket .....	17
44.02.264S	Heating element with gasket .....	15
10.01.065P	Hex nut M5 .....	21
10.00.709P	Hex nut M6 w. locking .....	9, 15, 19

## Index

<b>Part no.</b>	<b>Description</b>	<b>Page</b>
10.01.751P	Hex nut M16 DIN934 A2 .....	21
10.00.109P	Hex screw M5x23 .....	17
10.00.099S	Hex screw M8x12 .....	23
10.00.936P	Hex screw M8x20 .....	19, 23
10.01.208P	Hex screw M8x80 A2 .....	7
60.72.206	Holder for handle mobile oven rack Type 20-1/1, 20-2/1 .....	29
16.03.749P	Hook for parking position .....	5
2066.0205P	Hose clamp 8-16x9 mm SW 7mm .....	15
10.01.994P	Hose clamp 15.88 mm .....	35
2066.0521P	Hose clamp 27mm .....	35
2066.0518P	Hose clamp 30mm .....	15
10.01.667P	Hose clamp 122mm .....	33
2066.0527P	Hose clamp ø14mm .....	13
52.00.146P	Hose f. hand shower .....	33
2067.0709P	Hose for water supply 2500mm .....	33
22.00.525P	Hose set f. humidity control .....	13
50.02.121P	Hose, water supply, steam generator .....	15
22.01.402P	Humidity control cpl. ....	13
54.01.864S	Inspection lid, B2 .....	33
40.06.410P	Interface cable LAN 2m .....	5, 7
40.05.509P	Interface LAN IPX6 .....	7
87.01.741S	Interface USB .....	7
40.05.919P	IO-module .....	9
60.76.534S	IPX5 Coverage .....	43
20.02.807P	Isolation for mounting plate for motor .....	19
87.01.625S	Kit Steam generator insulated .....	15
87.01.578S	LED bar .....	25
87.01.586S	LED optics .....	25
50.00.086P	Locking plate f. water distribution .....	33
10.01.703P	Locking ring 16 mm .....	35
10.01.707P	Locking ring 25mm .....	15
40.06.728P	Loudspeaker K 64 WPTR .....	11

## **Index**

<b>Part no.</b>	<b>Description</b>	<b>Page</b>
46.00.290P	Mating flange f. heating assembly .....	17
40.06.810P	Meat probe sensor .....	21
16.03.748P	Metal cramp f. panel insert .....	5
42.00.359P	Micro SD card .....	5
44.02.495S	Molded hose with level electrode .....	15
42.00.278P	Motor control for fan motor .....	19
60.75.179S	Motor mounting plate .....	43, 45
22.00.985P	Motor shaft gasket D15 .....	19
40.05.702P	Mounting device f. pressure sensor .....	13
40.06.354P	Mounting device heat sink SSR .....	7
22.01.423P	Mounting support f. gasket flange .....	19
40.06.116S	Mounting support for pump pcb .....	9
40.06.042S	Mounting support power transformer .....	7
50.02.004P	Nozzle f. moistening .....	17
10.01.694P	O-ring for humidity control .....	13
56.01.631P	O-ring for pump .....	35
42.00.287P	Operator pcb *TFT* .....	5
10.01.880P	Ornamental screw M8x25 .....	23
56.01.503P	Outlet sieve .....	21
10.01.266P	Pan head screw Torx T20 10,5mm .....	7
10.01.776P	Pan head screw Torx T20 M4x12 .....	7
50.02.006P	Plastic pipe PEEK .....	17
24.05.458P	Plastic spreader rivet .....	25
50.00.085P	Plug-in spring f. hand shower roll guide .....	33
60.71.022P	Positioning support f. core sensor .....	37
60.76.448S	power chokes .....	43, 45
24.04.232S	Pre heat mechanism f. door cpl. ....	25
24.04.677S	Pre heat sheet f. door .....	27
3017.1011P	Pressure sensor Huba 401 .....	13
40.06.037P	Pulse generator .....	5
56.01.028P	Pump f. CareControl .....	35
56.01.020P	Pump f. cleaning .....	35

## **Index**

<b>Part no.</b>	<b>Description</b>	<b>Page</b>
44.02.179S	Pump housing .....	15
42.00.273P	Pump pcb .....	9
10.00.515P	Rivet 3,2x6.8 A2/NSF .....	21
1604.0161P	Rivet 4x6 CNS .....	25
10.00.904P	Rivet B4x8 .....	25
10.00.989P	Rivet with screw .....	7, 9, 25
54.01.650S	Rubber form piece venting pipe .....	33
87.01.548S	Safety device / water supply for steam generator .....	15
40.06.683P	Safety temperature limiter .....	21
40.06.685P	Safety temperature limiter .....	21
40.06.098P	Screen for safety temperature limiter .....	21
40.05.489P	Screen interior cabinet sensor .....	21
4007.0622P	Screwed cable gland PG 48 .....	7
16.04.062P	Sealing block .....	5
16.03.701P	Sealing block LAN .....	5
16.03.342P	Sealing f. panel insert .....	5
42.00.346P	Sensor on / off .....	5
16.03.458P	Side panel left .....	31
16.04.082P	Side panel right .....	31
60.75.182P	side panels .....	43, 45
56.01.627S	Silicone hose with hose clamps .....	35
1104.0820P	Snap nut 4,2mm .....	31
50.02.012P	Solenoid valve fivefold .....	33
40.00.453P	Solid state relais .....	7
60.76.574P	spacer CPU .....	43, 45
24.05.002P	Stop spacer .....	23
50.02.137P	Supply hose for "Care box" .....	35
50.02.200P	Supply hose for moistening .....	33
44.02.227S	Supply hose safety armature .....	15
40.06.112P	Temperature sensor eSTB .....	21
40.06.133P	Temperature sensor eSTB 100mm .....	15
40.01.609P	Terminal block WKN 150/U grey .....	9

## **Index**

<b>Part no.</b>	<b>Description</b>	<b>Page</b>
40.05.995P	Thermocouple .....	43, 45
87.01.781S	Thermocouple .....	43, 45
40.06.792S	Thermocouple humidity *B4* .....	21
40.06.805P	Thermocouple interior cabinet B1 .....	21
40.06.891P	Thermocouple interior cabinet B9 .....	21
40.06.794P	Thermocouple steam generator *B5* .....	15
1206.0120P	Tooth lock washer A6,4 .....	29
16.03.456P	Top cover .....	31
56.01.430P	Tulip for handshower .....	29
50.02.005P	Union nut .....	17
40.06.044P	USB socket with cable .....	5
72.00.490P	V Clamp 70mm right .....	15
40.06.214P	Vent cover .....	13, 29
22.01.456P	Vent cover, left .....	13
40.06.570P	Ventilation at top .....	13
54.01.929P	Ventilation pipe .....	33
1308.0162P	Washer A8,4 .....	19
56.01.017P	Waste water pump Cleaning box .....	35

