



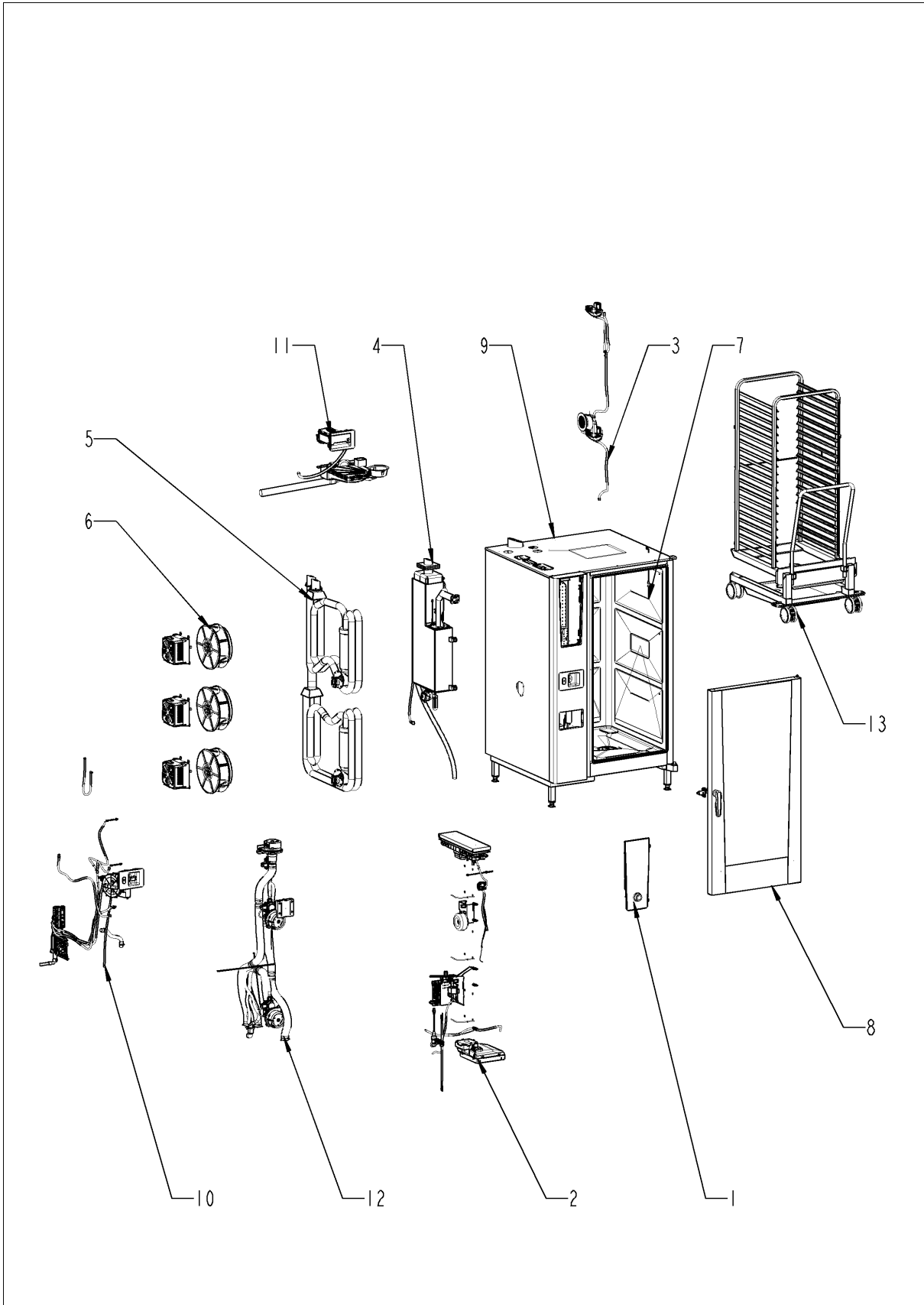
Service part catalogue

iCombi® ab 03/2020 202 - 20 x 2/1 Gastronorm

G22SJ2007



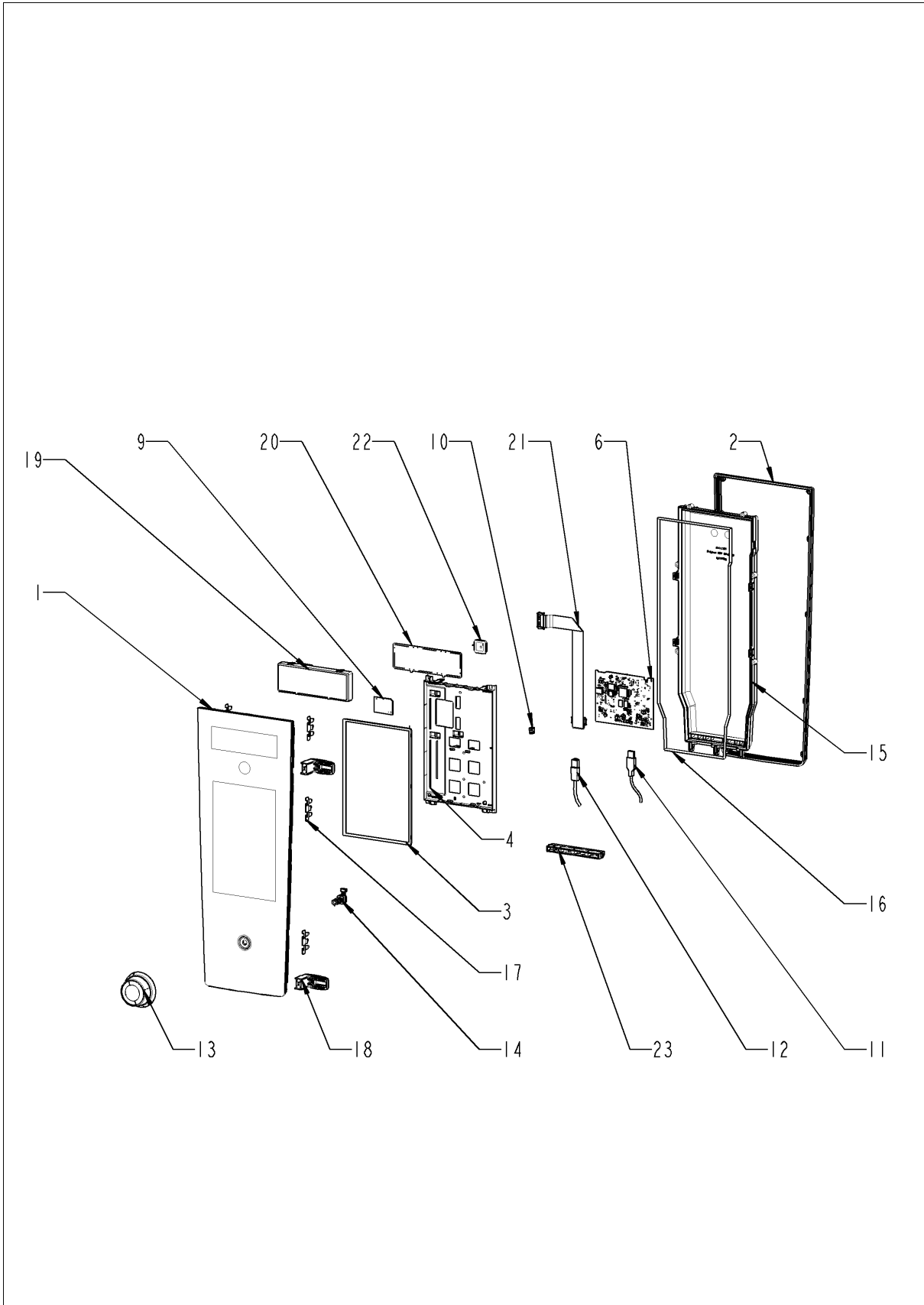
Overview



Overview

Pos.	Assembly	Page
1	Control panel	4
2	Electrical installation	6
3	ClimaPlus	12
4	Steam generator	14
5	Hot air heating	16
6	Motor and fan wheel	22
7	Interior cabinet	24
8	Door	26
9	Exterior cabinet	32
10	Water	36
11	CleanJet + Care	38
12	Gas parts	40
13	Standard accessory	42

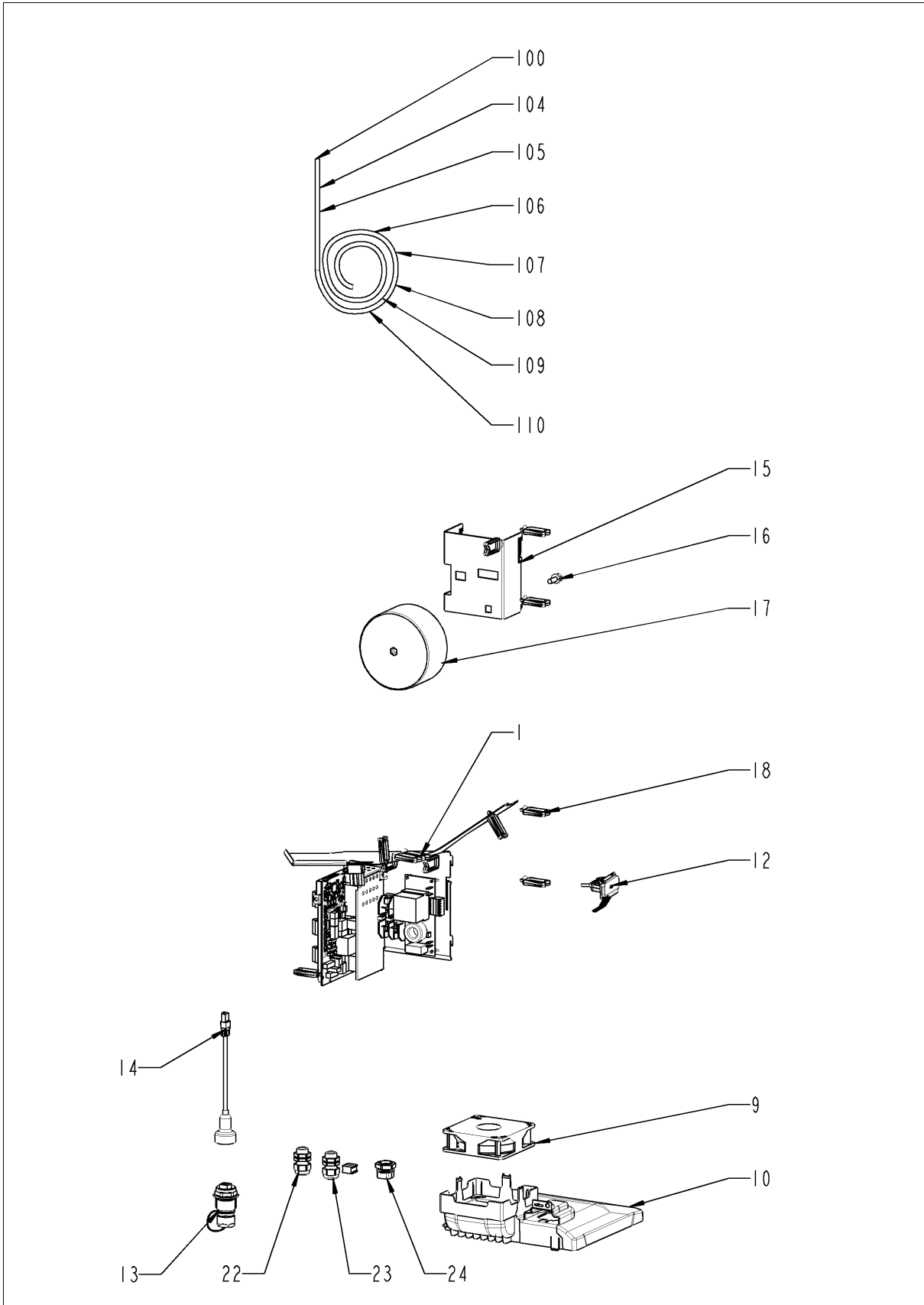
Control panel



Control panel

Pos.	Part no.	Description	Qty.
1	87.01.535S	Control panel insert *RAT*	1
2	16.03.342P	Sealing f. panel insert	1
3	42.00.287P	Operator pcb *TFT*	1
4	16.03.747P	Fixing display / pcb	1
6	42.00.251P	Control pcb (w/o SD-Card)	1
8	42.00.359P	Micro SD card	1
9	42.00.346P	Sensor on / off	1
10	40.06.760P	Cable control pcb - capacitive switch	1
11	40.06.044P	USB socket with cable	1
12	40.06.410P	Interface cable LAN 2m	1
13	16.03.756P	Dial f. pulse generator	1
14	40.06.037P	Pulse generator	1
15	16.03.735P	Cover f. control pcb w. gasket	1
17	16.03.748P	Metal cramp f. panel insert	6
18	16.03.749P	Hook for parking position	2
21	40.06.569P	Cable CPU - TFT	1
23	16.04.062P	Sealing block	1
23	16.03.701P	Sealing block LAN	1

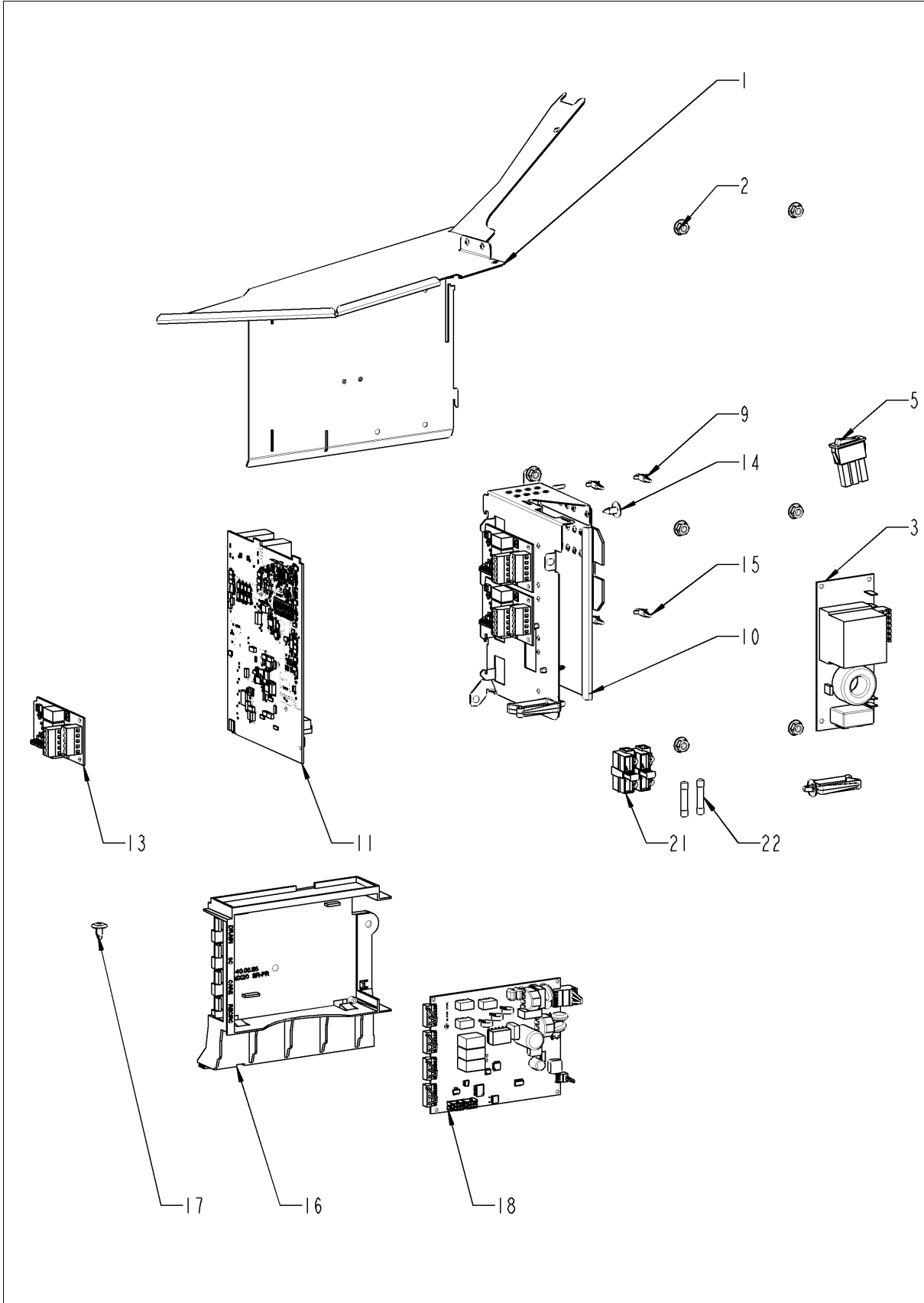
Electrical installation



Electrical installation

Pos.	Part no.	Description	Qty.
1		Electrical installation	1
9	40.06.355P	Cooling fan	1
10	87.01.619S	Air shaft cpl.	1
12	87.01.741S	Interface USB	1
13	40.05.509P	Interface LAN IPX6	1
14	40.06.410P	Interface cable LAN 2m	1
15	40.06.681S	Mounting support power transformer	1
16	10.01.208P	Hex screw M8x80 A2	1
17	40.03.468P	Power transformer	1
18	40.06.878P	Cable holder	12
22	40.00.320P	Cable connection M20x1.5	1
23	40.00.320P	Cable connection M20x1.5	1
24	40.04.495P	Cable connection M25 ø5mm *divisible*	1
25	3019.0120P	Fuse 5x20mm	1
100	40.06.067P	Cable control harness	1
104	40.06.405P	Cable harness isolating transformer	1
105	40.06.242P	Cable, circulation pump	1
106	40.06.245P	Cable, sewage pump	1
107	40.06.248P	Cable SC pump	1
108	40.06.251P	Cable, Care pump	1
109	40.06.718P	Cable, interior light W57 *door lighting*	1
112	40.06.757P	Power supply cable 3xAWG14 3m	1
113	40.06.854P	Cable A11-A18	1
114	40.07.149P	Bus cable 2.08m	1
115	40.05.858P	Bus cable 1.08m	1
116	40.07.147P	Bus cable 1.96m	1
117	40.05.858P	Bus cable 1.08m	1
118	40.05.858P	Bus cable 1.08m	1
121	40.05.858P	Bus cable 1.08m	1

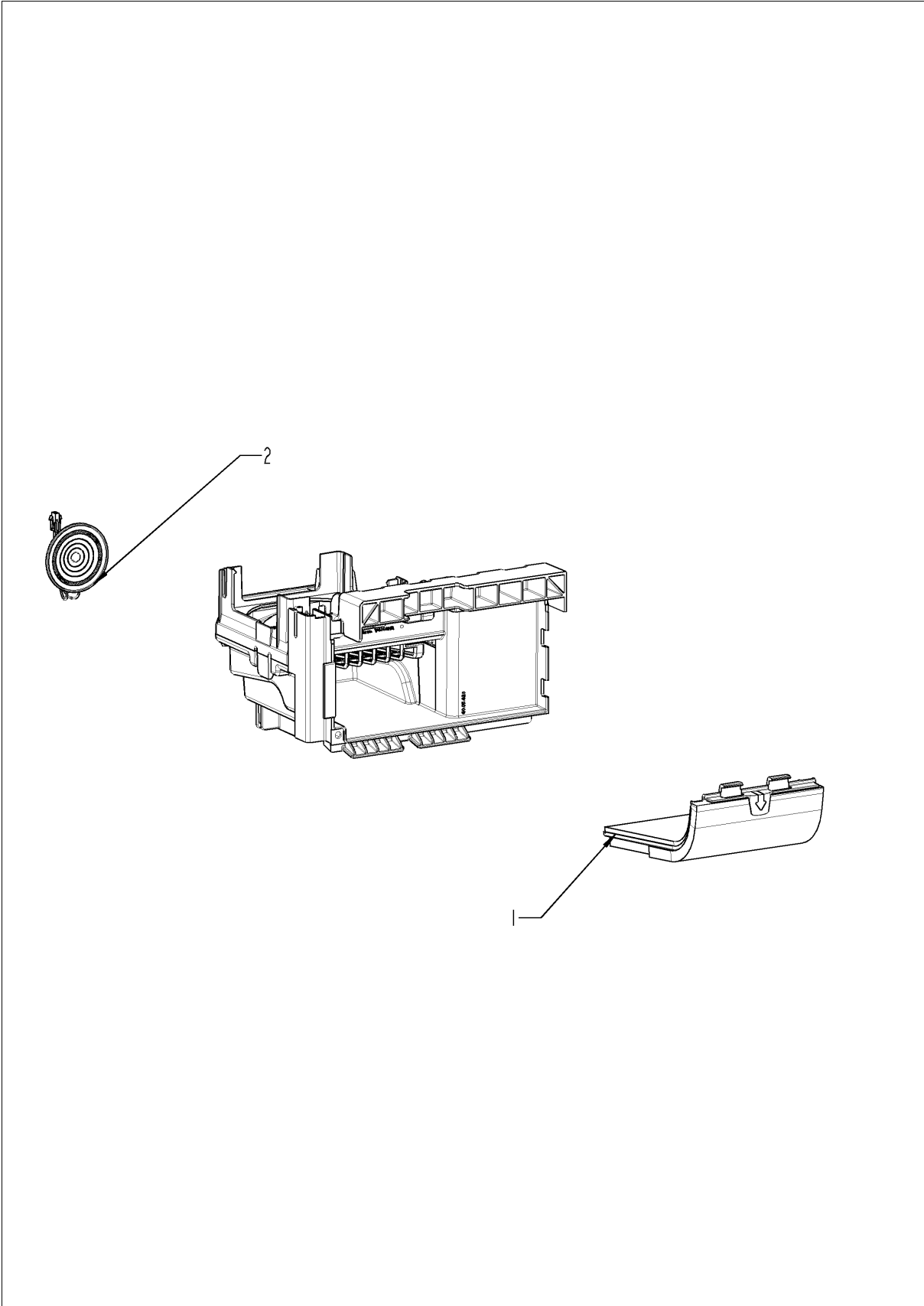
Electrical installation



Electrical installation

Pos.	Part no.	Description	Qty.
1	40.06.408P	Electrical mounting plate	1
2	10.00.709P	Hex nut M6 w. locking	1
3	42.00.286P	Electronic noise filter	1
5	40.01.358P	Rocker switch 1 pole	1
9	40.03.756P	Fixing clip f. pcb	1
11	40.05.919P	IO-module	1
14	10.00.989P	Rivet with screw	1
15	40.03.756P	Fixing clip f. pcb	1
16	40.06.116S	Mounting support for pump pcb	1
17	10.00.989P	Rivet with screw	1
18	42.00.273P	Pump pcb	1
21	40.01.487P	Fuse holder 2pol	1
22	40.01.873P	Fuse SC-15A 10x38	2
28	40.06.767P	Fuse 4A *Typ 5HT 4-R*	1

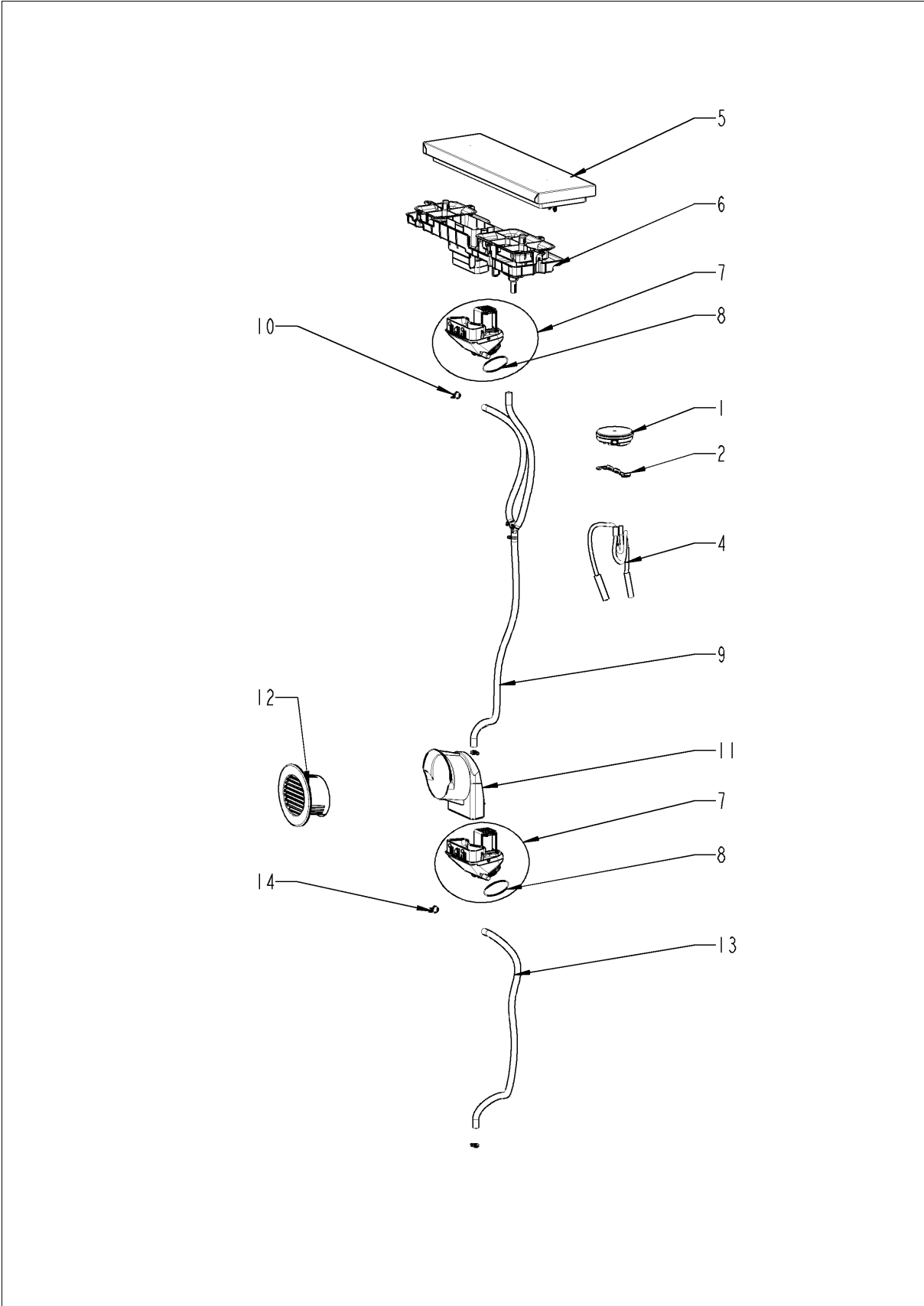
Air shaft cpl.



Air shaft cpl.

Pos.	Part no.	Description	Qty.
1	40.05.654P	Air inlet filter cpl.	1
2	40.06.728P	Loudspeaker K 64 WPTR	1

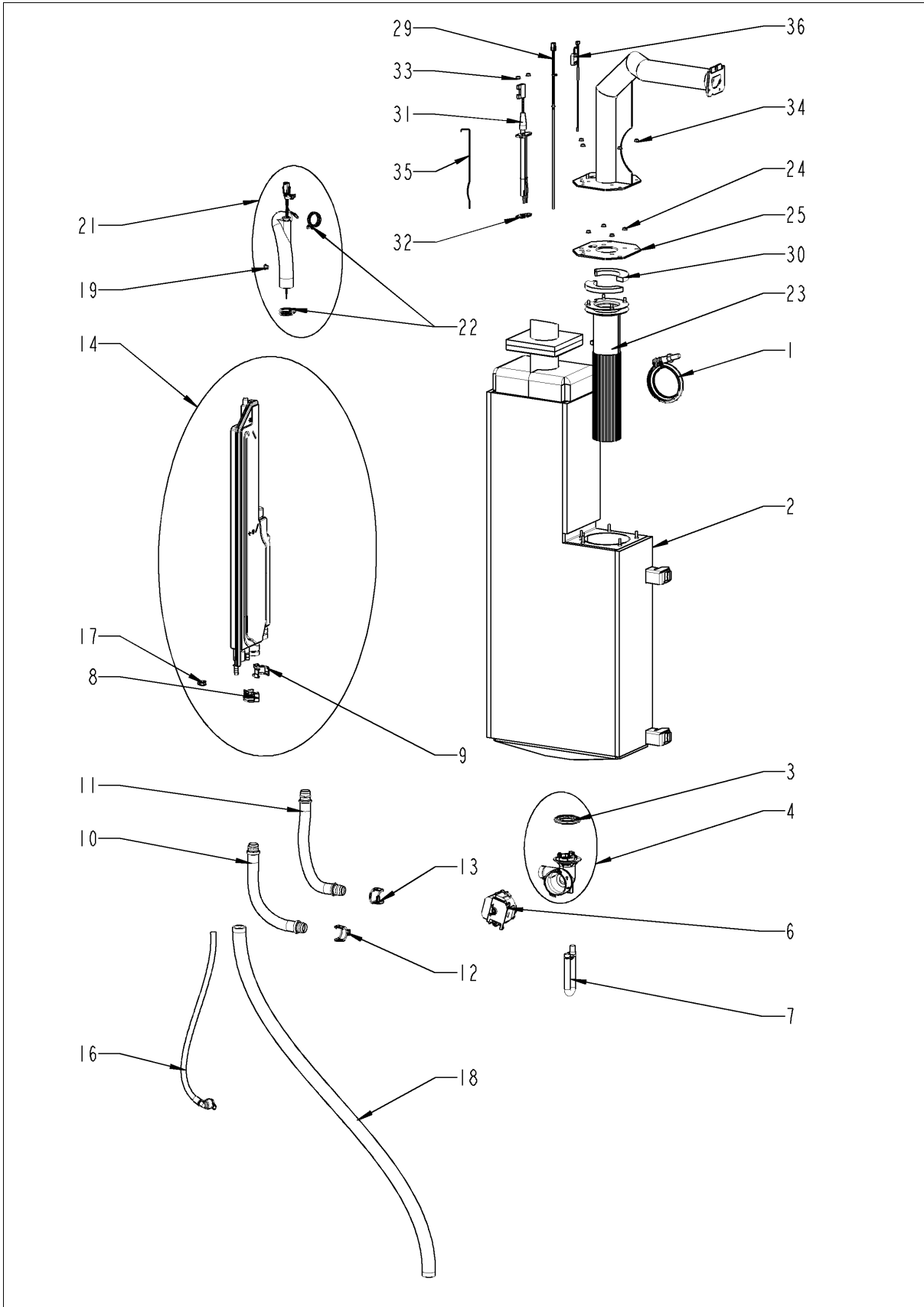
ClimaPlus



ClimaPlus

Pos.	Part no.	Description	Qty.
1	3017.1011P	Pressure sensor Huba 401	1
2	40.05.702P	Mounting device f. pressure sensor	1
4	22.00.525P	Hose set f. humidity control	1
5	40.06.214P	Vent cover	1
6	40.06.570P	Ventilation at top	1
7	22.01.402P	Humidity control cpl.	1
8	10.01.694P	O-ring for humidity control	4
9	22.01.468P	Drain hose for humidity control, top	1
10	2066.0527P	Hose clamp ø14mm	4
11	22.01.385P	Air inlet pipe	1
12	22.01.456P	Vent cover, left	1
13	22.01.402P	Humidity control cpl.	1
14	2066.0527P	Hose clamp ø14mm	2
21	22.01.402P	Humidity control cpl.	1

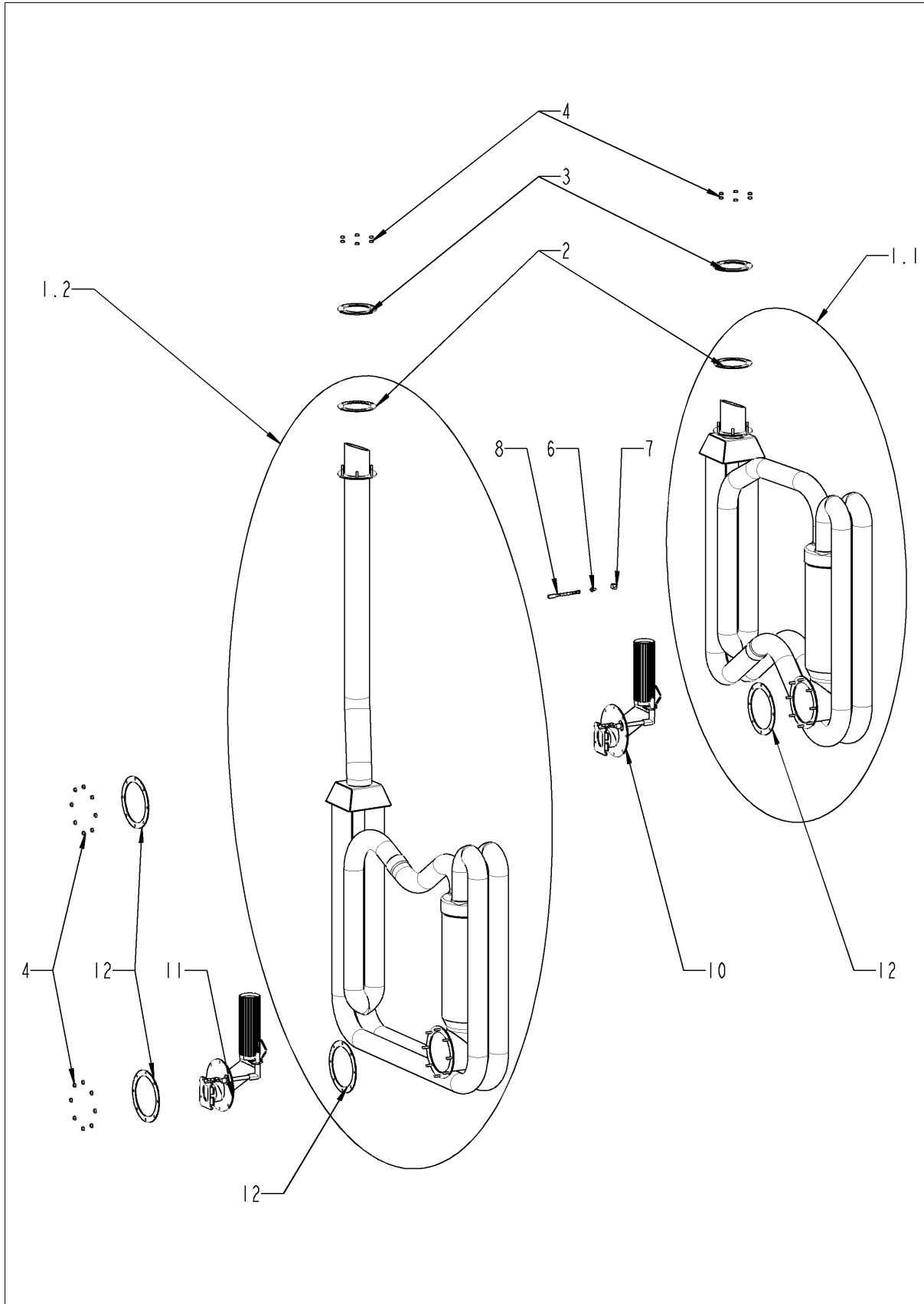
Steam generator



Steam generator

Pos.	Part no.	Description	Qty.
1	72.00.490P	V Clamp 70mm right	1
2	87.01.627S	Kit Steam generator insolated	1
3	44.02.200P	Gasket SC pump	1
4	44.02.179S	Pump housing	1
6	56.01.024P	Emptying pump	1
7	44.02.287P	Emergency drainage hose	1
8	10.01.707P	Locking ring 25mm	1
9	10.01.707P	Locking ring 25mm	1
10	44.02.227S	Supply hose safety armature	1
11	44.02.797S	Drain hose steam generator	1
12	10.01.707P	Locking ring 25mm	1
13	10.01.707P	Locking ring 25mm	1
14	87.01.548S	Safety device / water supply for steam generator	1
16	50.02.121P	Hose, water supply, steam generator	1
17	2066.0205P	Hose clamp 8-16x9 mm SW 7mm	1
18	44.02.232P	Drain hose steam generator	1
19	44.01.505P	Grommet Ø12x8,2	1
21	44.02.496S	Molded hose with level electrode	1
22	2066.0518P	Hose clamp 30mm	2
23	70.01.279S	Burner steam gen. kit	1
24	10.01.065P	Hex nut M5	1
25	72.00.408P	Gasket f. burner carrier	1
29	40.06.131P	Temperature sensor eSTB 240mm	1
30	72.00.077P	Insulation f. burner steam gen.	1
31	70.01.250S	Ignition electrode kit for steam generator	1
32	70.01.258P	Gasket f. ignition electrode	1
33	10.01.065P	Hex nut M5	2
34	10.01.065P	Hex nut M5	5
35	72.00.505P	Fixing plate steam generator thermostat	1
36	40.06.722P	Thermocouple steam generator *B5*	1

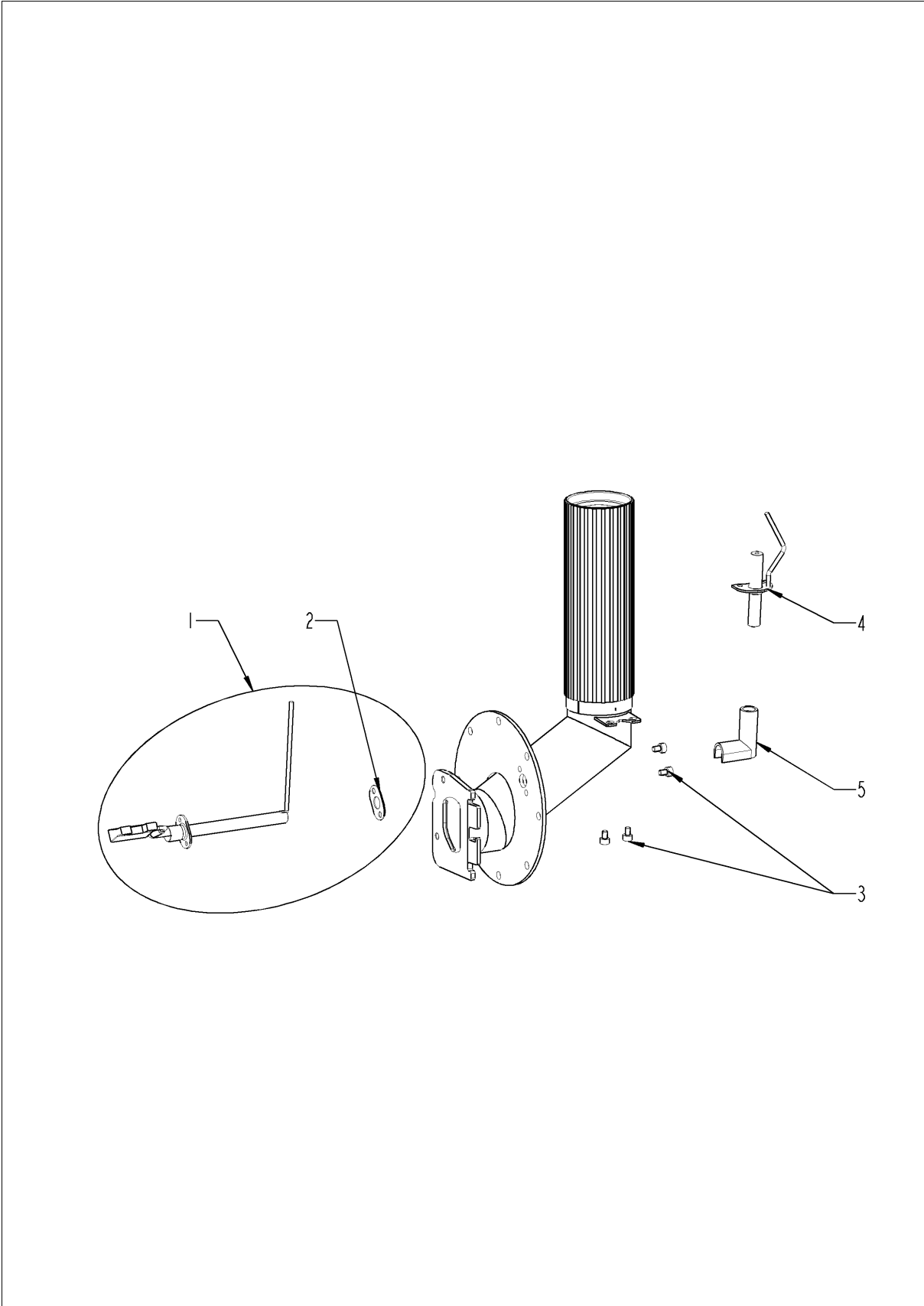
Hot air heating



Hot air heating

Pos.	Part no.	Description	Qty.
1.1	74.01.163S	Hot air heat exchanger top	1
1.2	74.01.169S	Hot air heat exchanger below	1
2	74.01.119P	Gasket hot air heat exchanger/interior cabinet	4
3	74.01.118P	Mating flange heat exchanger	2
4	10.01.065P	Hex nut M5	12
6	50.02.004P	Nozzle f. moistening	1
7	50.02.005P	Union nut	1
8	50.02.006P	Plastic pipe PEEK	1
10	87.01.655S	Burner hot air	1
11	87.01.658S	Burner hot air	1
12	74.00.296P	Gasket f. heat exchanger below	2

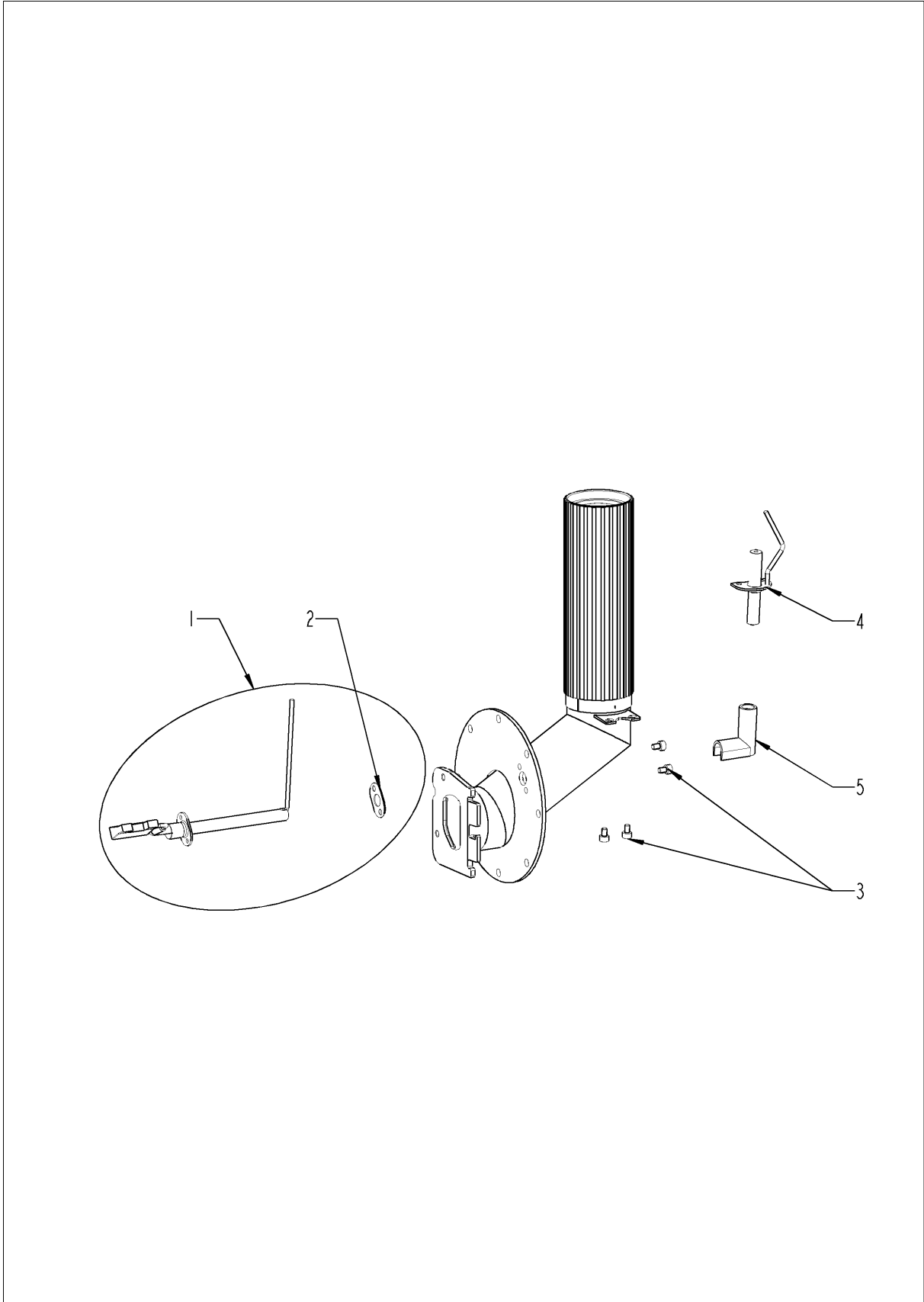
Burner hot air



Burner hot air

Pos.	Part no.	Description	Qty.
1	70.01.247S	Ignitionelectrode, hot air 350mm	1
2	74.00.290P	Gasket electrode hot air	1
3	10.00.696P	Allen screw M4x6 w. Precoat 85	4
4	74.01.039P	Earth electrode, hot air	1
5	74.00.913P	L- insulator for ignition electrode, hot air	1

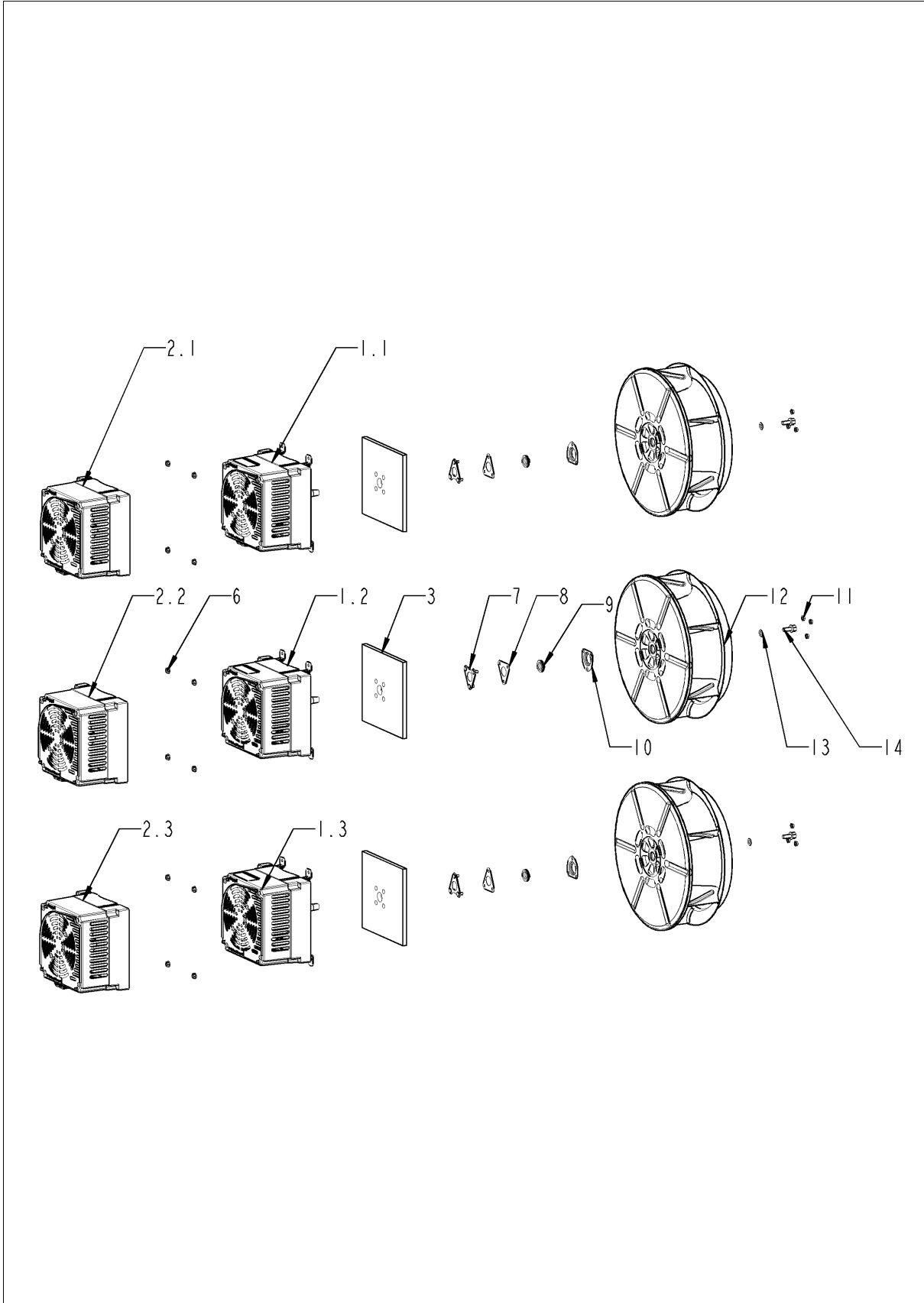
Burner hot air



Burner hot air

Pos.	Part no.	Description	Qty.
1	70.01.248S	Ignitionelectrode, hot air 960mm	1
2	74.00.290P	Gasket electrode hot air	1
3	10.00.696P	Allen screw M4x6 w. Precoat 85	4
4	74.01.039P	Earth electrode, hot air	1
5	74.00.913P	L- insulator for ignition electrode, hot air	1

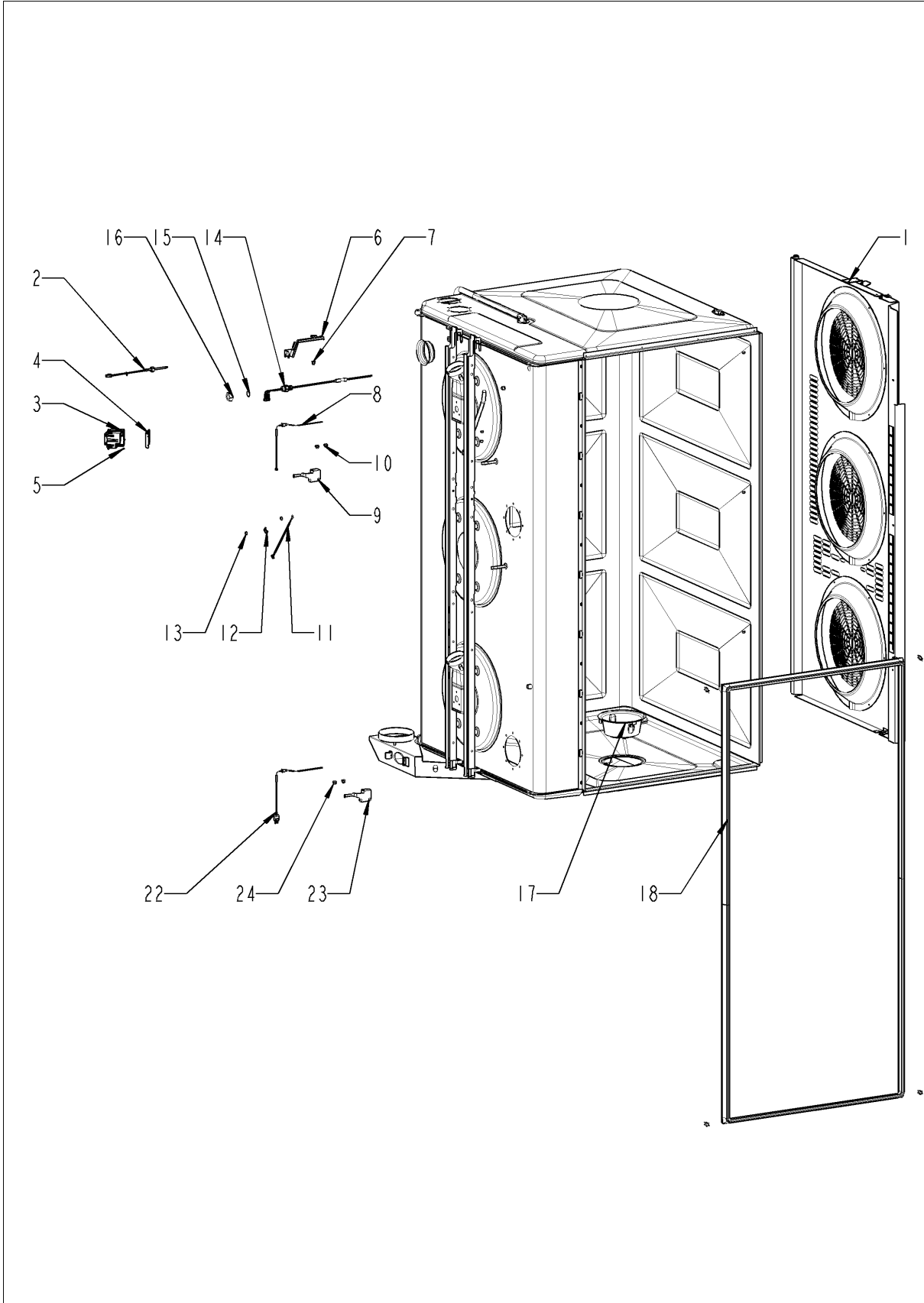
Motor and fan wheel



Motor and fan wheel

Pos.	Part no.	Description	Qty.
1.1	87.01.559S	Fan motor	1
1.2	87.01.559S	Fan motor	1
1.3	87.01.559S	Fan motor	1
2.1	42.00.278P	Motor control for fan motor	1
2.2	42.00.278P	Motor control for fan motor	1
2.3	42.00.278P	Motor control for fan motor	1
3	20.02.807P	Isolation for mounting plate for motor	3
6	10.00.709P	Hex nut M6 w. locking	12
7	22.01.423P	Mounting support f. gasket flange	3
8	22.01.425P	Graphit seal for gasket flange	3
9	22.00.985P	Motor shaft gasket D15	3
10	22.01.427P	Flange f. motor shaft gasket	3
11	10.01.076P	Cap nut M5*A2	9
12	22.01.151S	Fan wheel	3
13	1308.0162P	Washer A8,4	3
14	10.00.936P	Hex screw M8x20	3

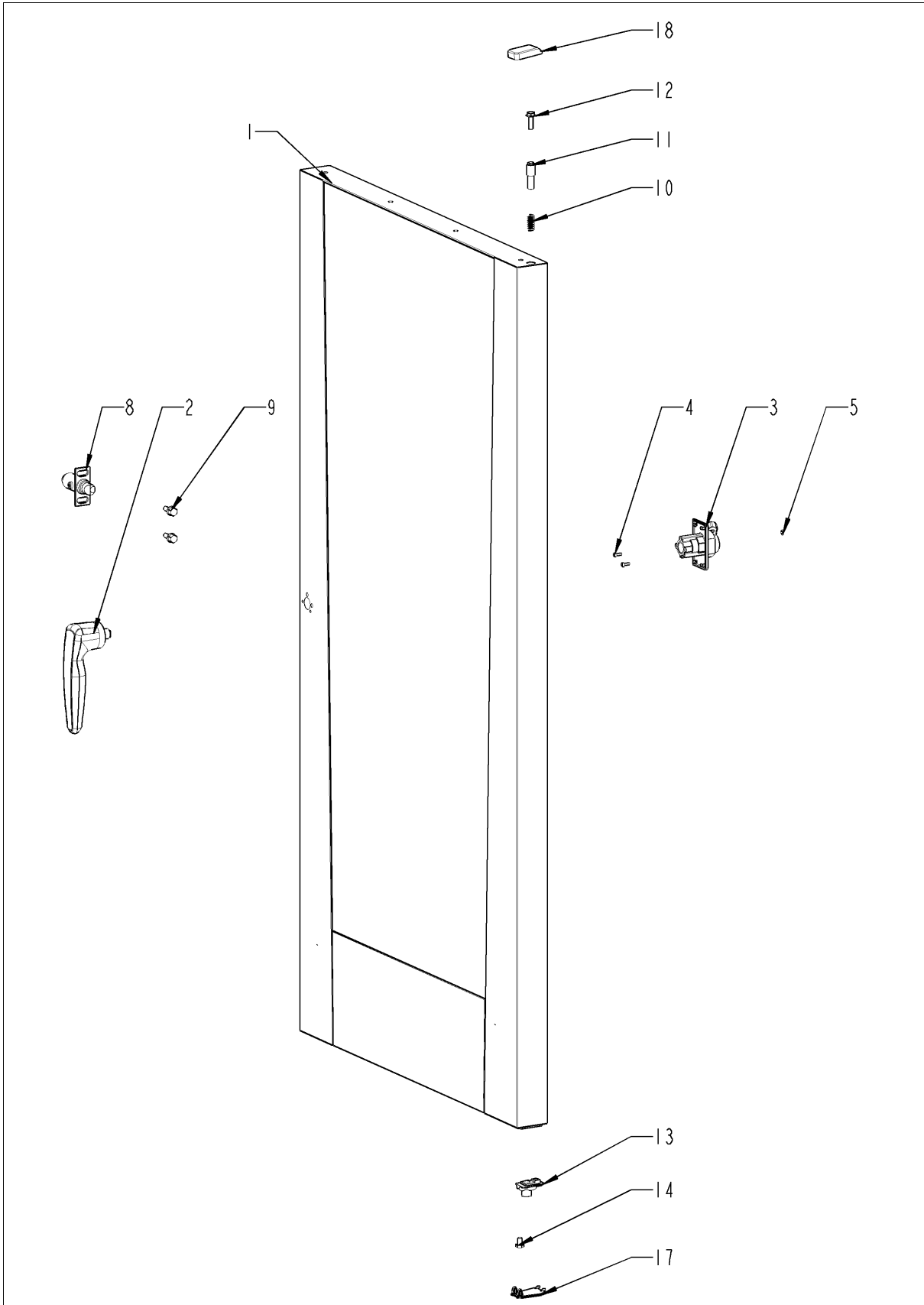
Interior cabinet



Interior cabinet

Pos.	Part no.	Description	Qty.
1	22.01.329P	Air baffle	1
2	40.06.112P	Temperature sensor eSTB	3
3	40.06.684P	Safety temperature limiter	1
4	40.06.053P	Fixing device for safety temperature limiter	2
5	10.00.515P	Rivet 3,2x6.8 A2/NSF	2
6	40.06.098P	Screen for safety temperature limiter	1
7	10.01.076P	Cap nut M5*A2	1
8	40.06.876P	Thermocouple interior cabinet B1	1
9	40.06.877P	Screen interior cabinet sensor	1
10	10.01.076P	Cap nut M5*A2	2
11	40.06.792S	Thermocouple humidity *B4*	1
12	10.00.087P	Clamp strap f. sensor	1
13	10.01.065P	Hex nut M5	1
14	40.06.811P	Meat probe sensor	1
15	1315.0104P	Copper washer 16x20x1,5	1
16	10.01.751P	Hex nut M16 DIN934 A2	1
17	56.01.503P	Outlet sieve	1
18	20.00.399P	Door gasket	1
22	40.06.730P	Thermocouple interior cabinet B9	1
23	40.05.489P	Screen interior cabinet sensor	1
24	10.01.076P	Cap nut M5*A2	2

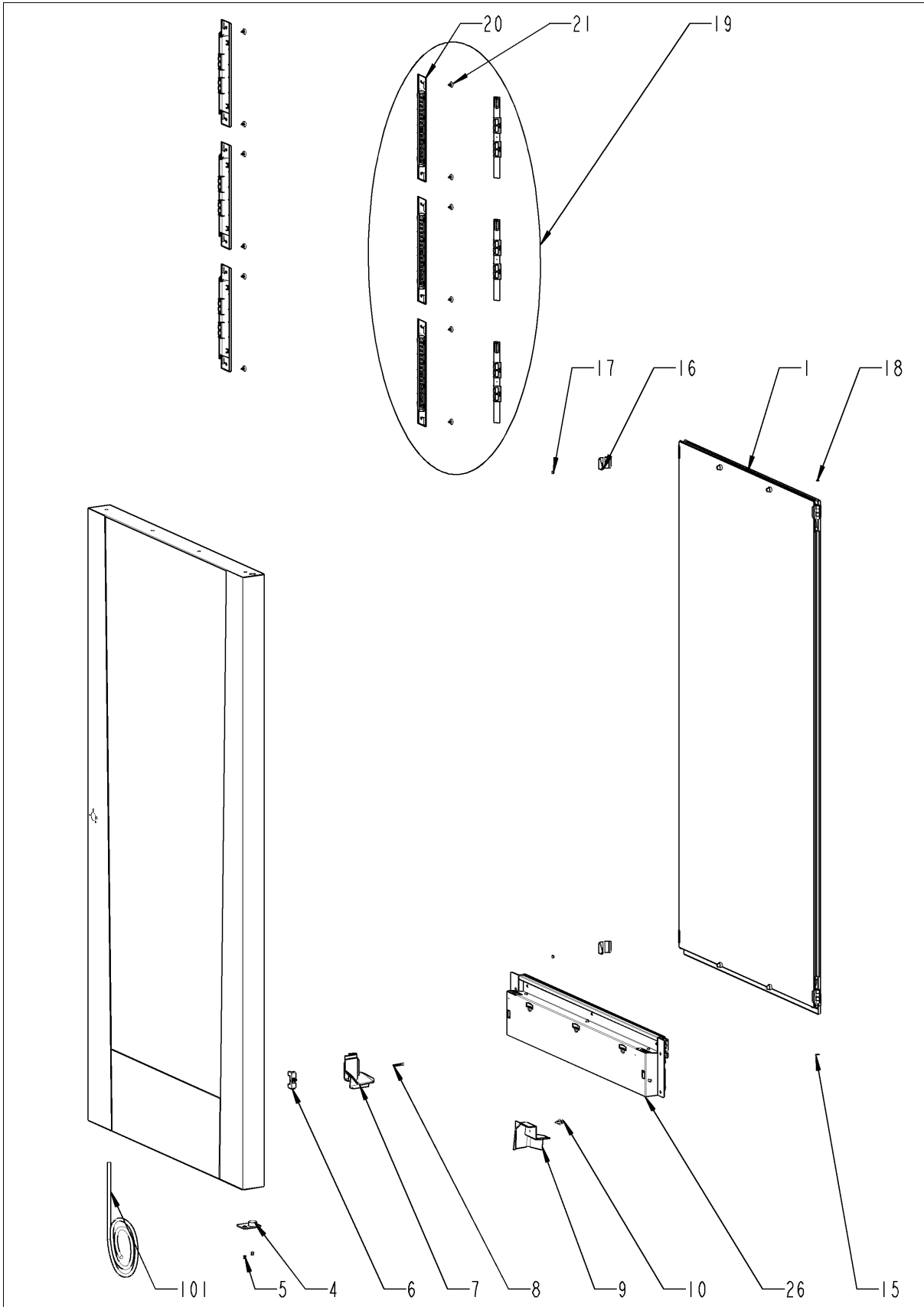
Door



Door

Pos.	Part no.	Description	Qty.
1	24.04.112S	Door	1
2	24.04.065P	Door handle RATIONAL	1
3	24.04.244P	Door lock	1
5	10.00.090P	Cap f. Torx T30	1
8	24.01.351P	Door catch	1
9	10.00.936P	Hex screw M8x20	2
10	2001.0109P	Compression spring	1
11	24.03.040P	Door bolt	1
12	10.01.880P	Ornamental screw M8x25	1
13	24.04.245P	Door bolt	1
14	10.00.099S	Hex screw M8x12	1
17	12.02.605P	Cap for door mounting support bottom	1
18	16.04.110P	Cover for door mounting support	1
21	24.05.002P	Stop spacer	1

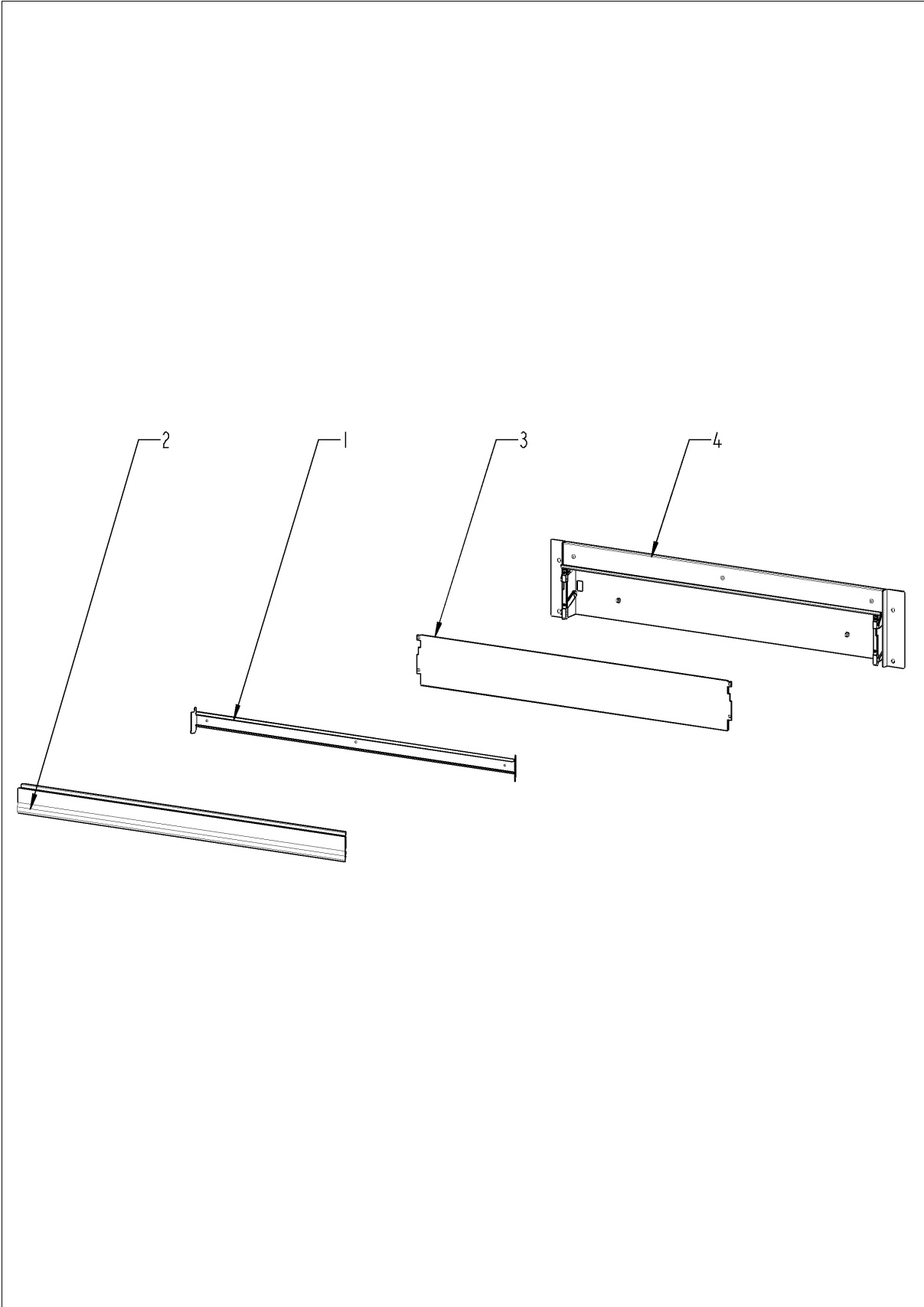
Door



Door

Pos.	Part no.	Description	Qty.
1	24.05.228S	Glass pane bundle	1
4	24.04.219P	Door setting bolt	1
5	10.00.904P	Rivet B4x8	2
6	24.04.619P	Fixing device f. magnet with magnet	1
7	24.04.213S	Bracket left f. door floor model	1
8	1604.0161P	Rivet 4x6 CNS	1
9	24.04.212S	Bracket right f. door floor model	1
10	10.00.989P	Rivet with screw	1
15	24.03.057P	Abrasion protection for glide socket	1
16	24.03.787S	Fixing bracket kit for interior glass pane	2
17	1604.0161P	Rivet 4x6 CNS	1
18	24.03.062P	Cover cap for door	1
19	87.01.578S	LED bar	6
20	87.01.586S	LED optics	6
21	24.05.458P	Plastic spreader rivet	12
26	24.04.232S	Pre heat mechanism f. door cpl.	1
101	87.01.595S	Cable, interior light W40 *door lighting*	1

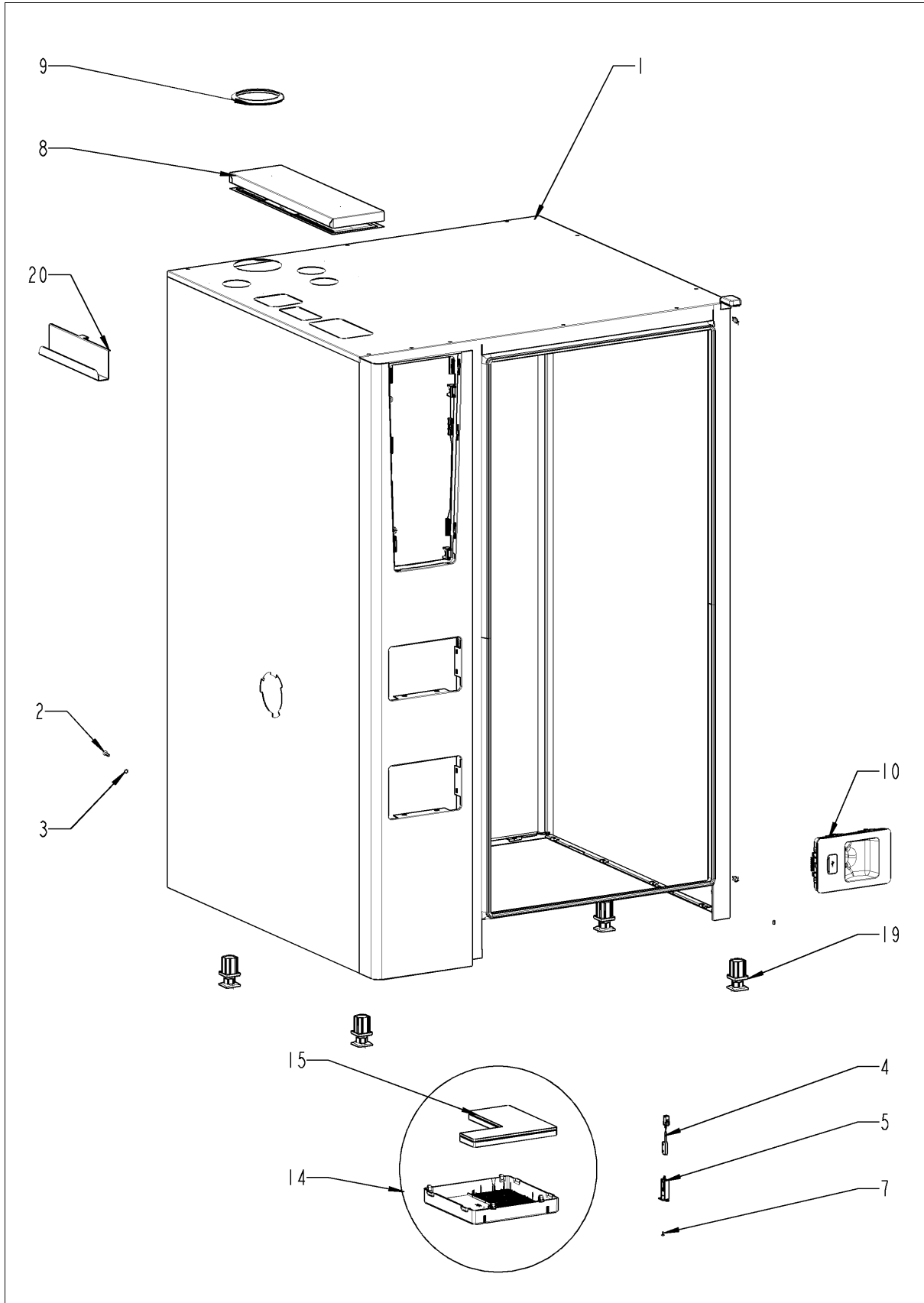
Pre heat mechanism f. door



Pre heat mechanism f. door

Pos.	Part no.	Description	Qty.
1	24.04.469S	Gasket support	1
2	24.05.092P	Gasket glass pane/trolley	1
3	24.04.677S	Pre heat sheet f. door	1
4	87.01.635S	Flap mechanism	1

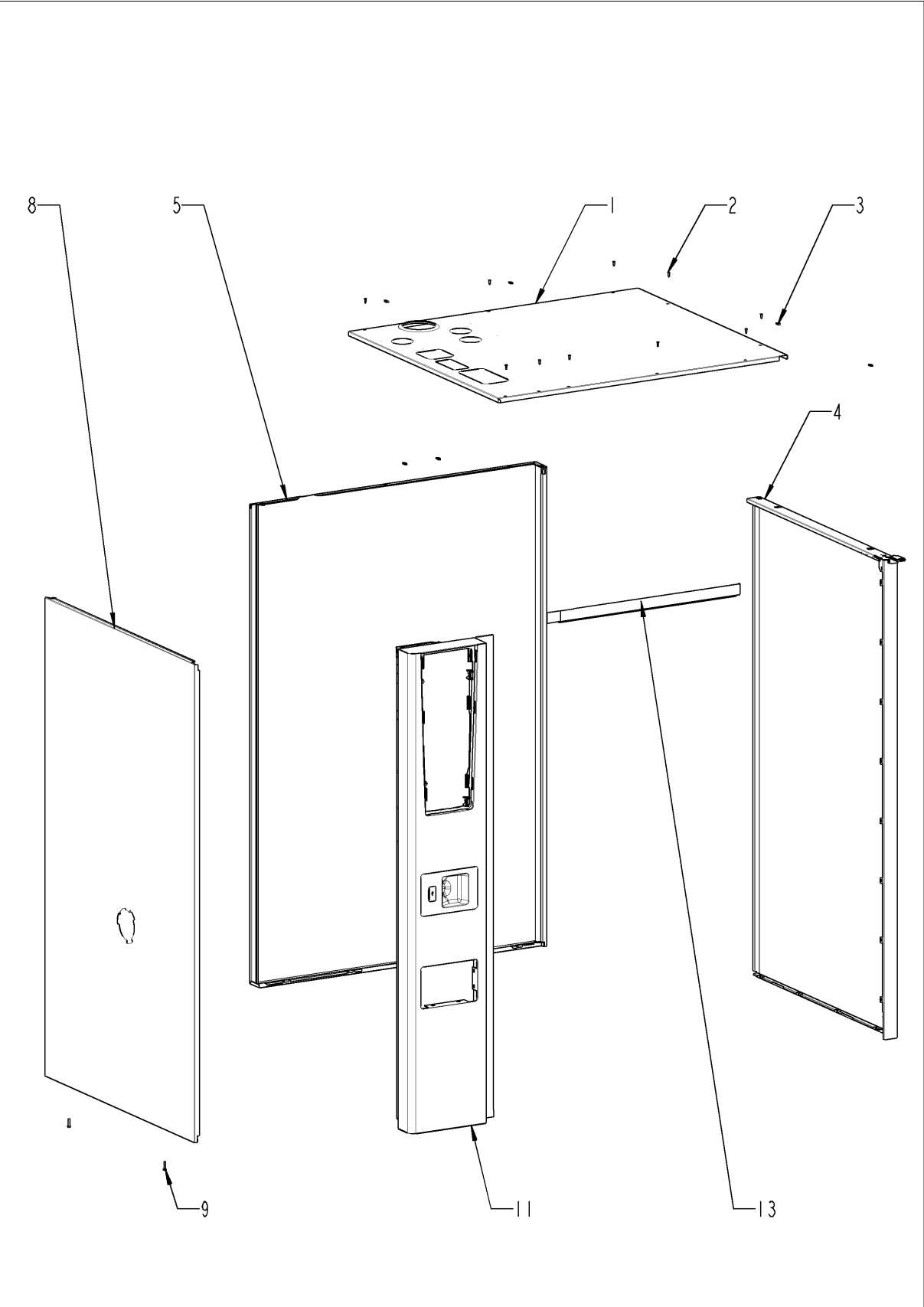
Exterior cabinet



Exterior cabinet

Pos.	Part no.	Description	Qty.
1		Exterior cabinet	1
2	10.01.755P	Countersunk screw M5x20 A2	1
3	1206.0120P	Tooth lock washer A6,4	1
4	40.06.380P	Door switch	1
5	16.00.384S	Bracket for door contact switch	1
7	10.00.103P	EJOT PT-screw KA 3.5x10	1
8	40.06.214P	Vent cover	1
9	16.03.729P	Gasket f. breather tube d=117.3mm	1
10	56.01.430P	Tulip for handshower	1
14	40.05.657P	Air inlet filter cpl.	1
15	40.05.654P	Air inlet filter cpl.	1
19	2039.0111P	Foot adjustable, metal, 40 x 40	4
20	60.72.206	Holder for handle mobile oven rack Type 20-1/1, 20-2/1	1

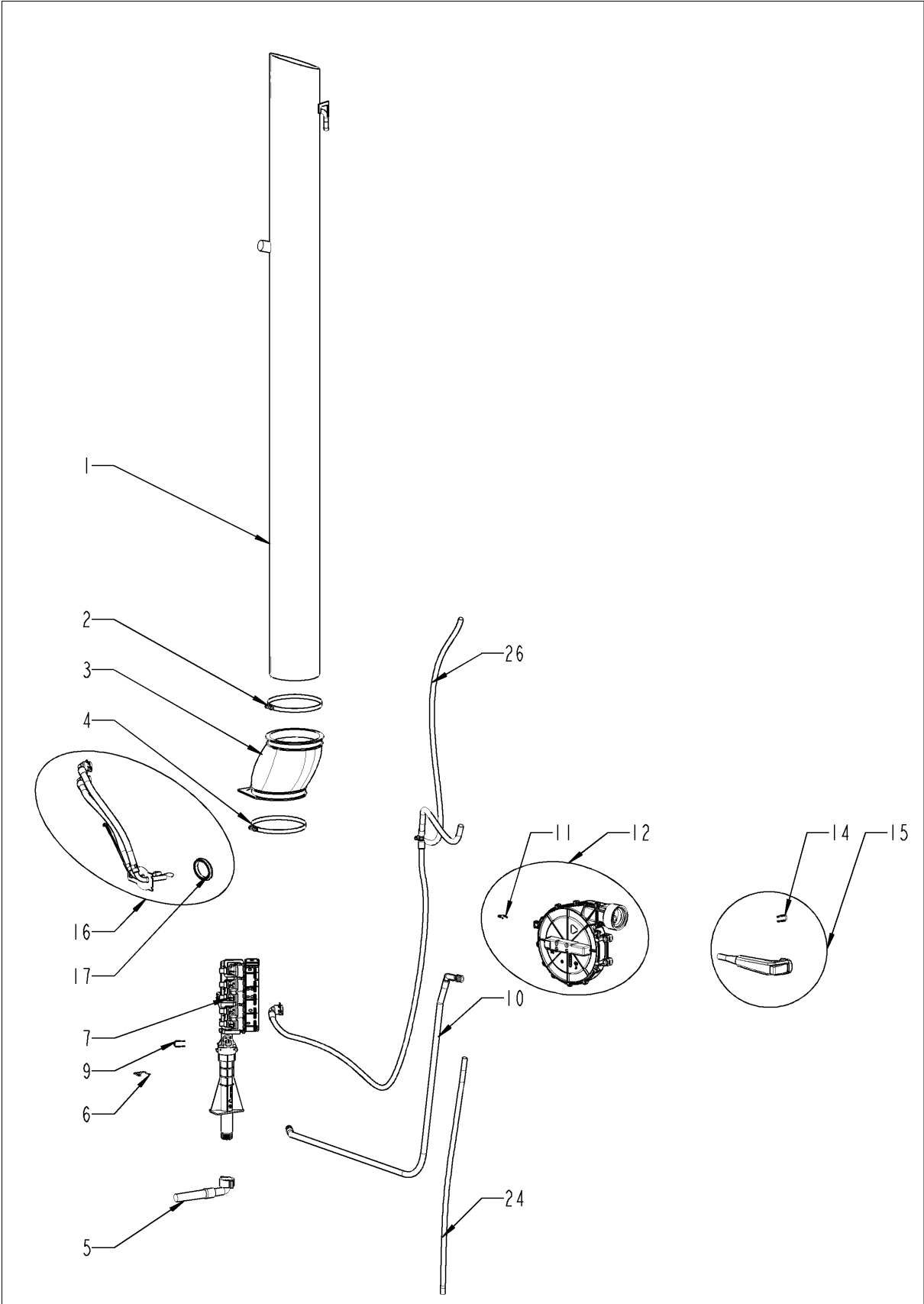
Exterior cabinet



Exterior cabinet

Pos.	Part no.	Description	Qty.
1	16.03.460P	Top cover	1
2	1003.2265P	Countersunk self tapping screw 4,2x16	10
3	1104.0820P	Snap nut 4,2mm	10
4	16.04.082P	Side panel right	1
5	16.04.089P	Back panel, right	1
8	16.03.458P	Side panel left	1
9	10.01.755P	Countersunk screw M5x20 A2	2
11	16.03.688P	Front panel	1
13	16.03.453P	Crossbar top	1

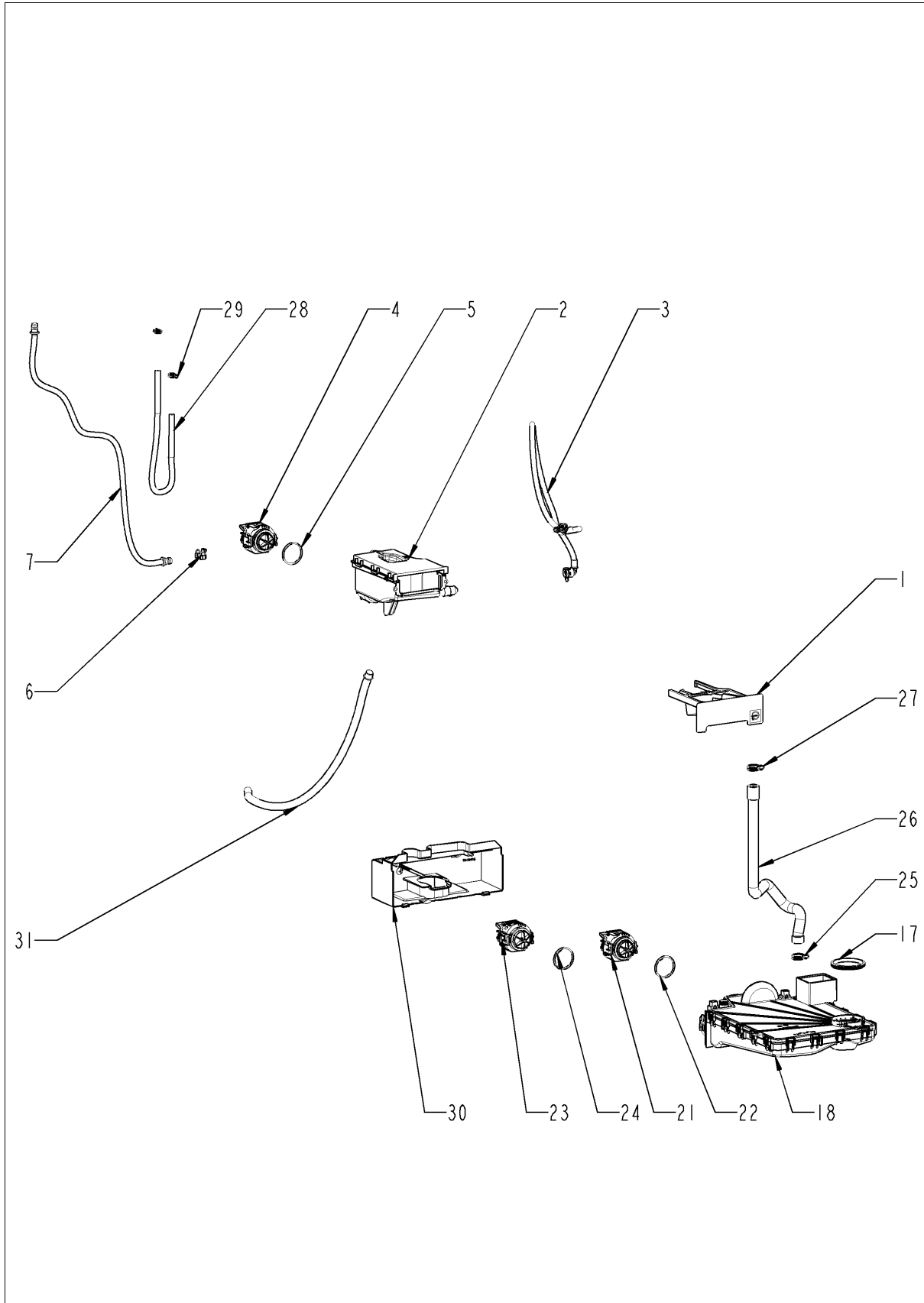
Water



Water

Pos.	Part no.	Description	Qty.
1	54.01.929P	Ventilation pipe	1
2	10.01.667P	Hose clamp 122mm	1
3	54.01.650S	Rubber form piece venting pipe	1
4	10.01.667P	Hose clamp 122mm	1
5	2067.0709P	Hose for water supply 2500mm	1
6	50.00.086P	Locking plate f. water distribution	1
7	50.02.012P	Solenoid valve fivefold	1
9	50.00.085P	Plug-in spring f. hand shower roll guide	1
10	52.00.137S	Connect. hose f. hand shower roll guide	1
11	50.00.085P	Plug-in spring f. hand shower roll guide	1
12	52.00.099P	Hand shower roll guide	1
14	50.00.156P	Clamp f. hand shower roll guide	1
15	52.00.127S	Hand shower black	1
16	54.01.864S	Inspection lid, B2	1
17	54.01.168P	Gasket f. inspection lid	1
24	52.00.146P	Hose f. hand shower	1
26	50.02.202P	Supply hose for moistening	1

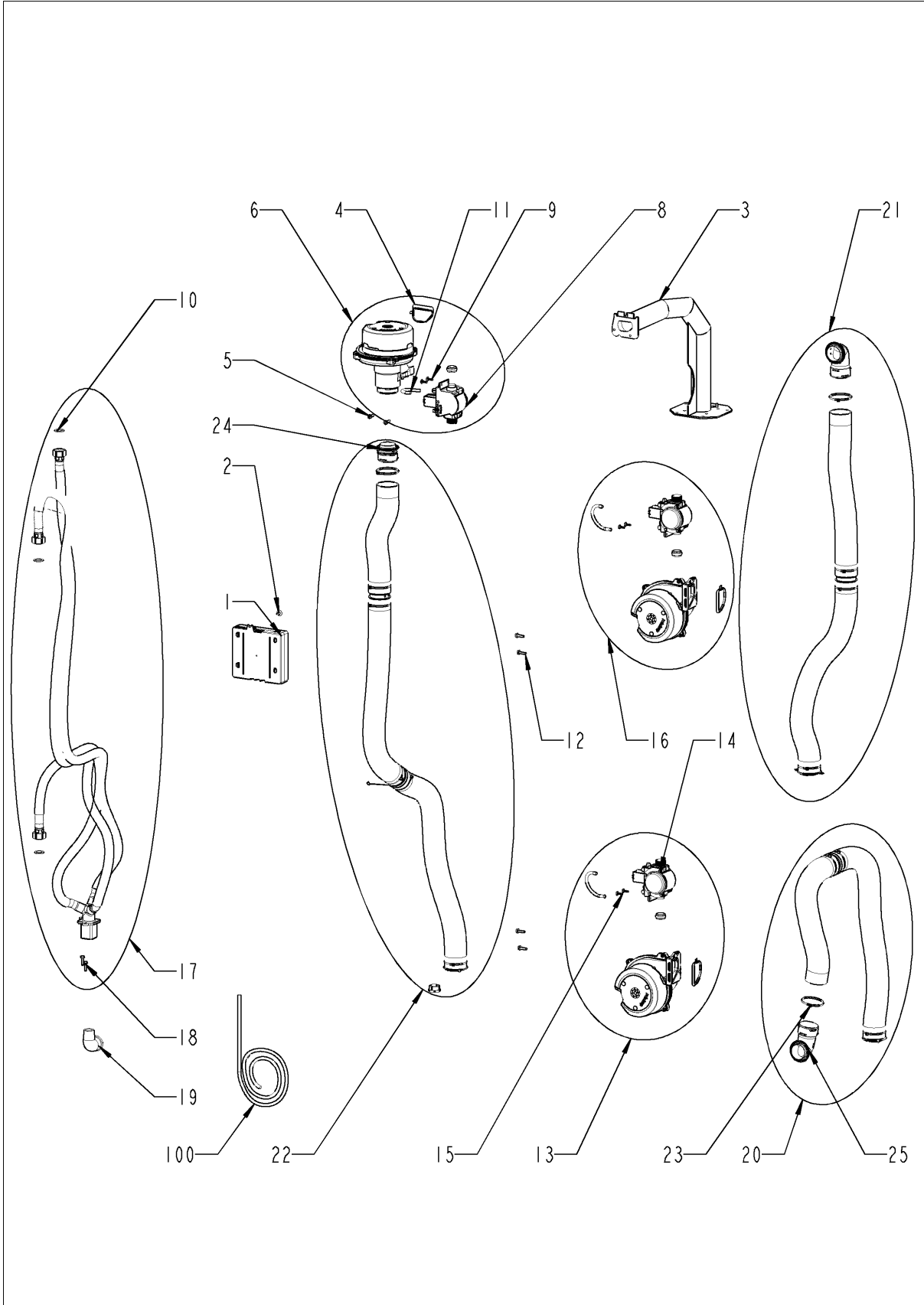
CleanJet + Care



CleanJet + Care

Pos.	Part no.	Description	Qty.
1	56.00.952P	Drawer Care container	1
2	56.01.466P	Care container with pump	1
3	50.02.137P	Supply hose for "Care box"	1
4	56.01.028P	Pump f. CareControl	1
5	56.01.631P	O-ring for pump	1
6	10.01.703P	Locking ring 16 mm	1
7	56.01.508S	Care hose	1
8	10.01.703P	Locking ring 16 mm	1
17	56.01.461P	Gasket DN60	1
18	56.01.370P	Cleaning box	1
21	56.01.017P	Waste water pump Cleaning box	1
22	56.01.631P	O-ring for pump	1
23	56.01.020P	Pump f. cleaning	1
24	56.01.631P	O-ring for pump	1
25	2066.0521P	Hose clamp 27mm	1
26	56.01.328S	CleanJet hose	1
27	2066.0521P	Hose clamp 27mm	1
28	56.01.627S	Silicone hose with hose clamps	1
29	10.01.994P	Hose clamp 15.88 mm	2
30	87.01.637S	Cover for pump	1
31	56.01.501P	Emergency overflow-tube	1

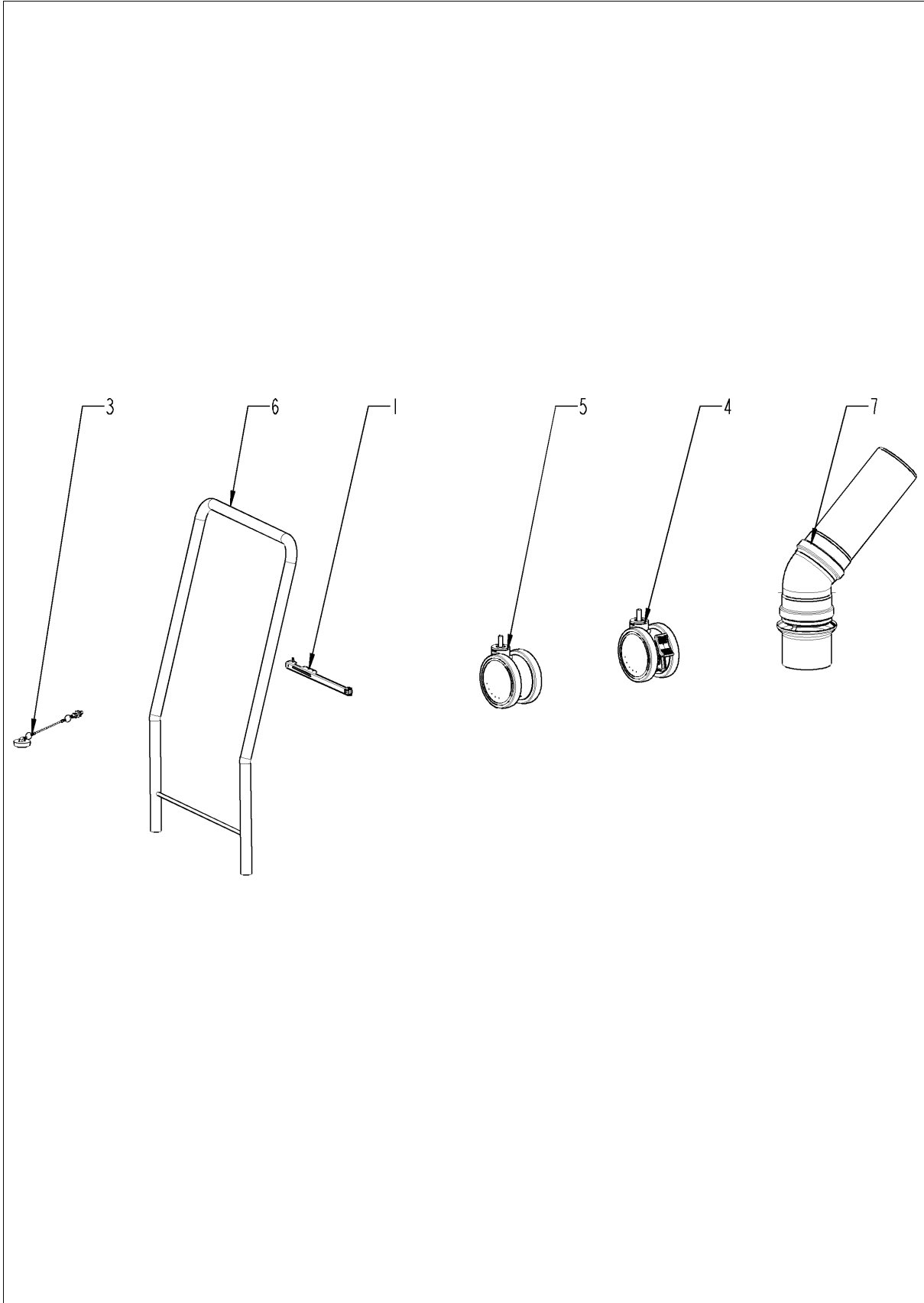
Gas parts



Gas parts

Pos.	Part no.	Description	Qty.
1	70.01.209S	Automatic ignition controller	1
2	10.00.989P	Rivet with screw	1
3	70.01.078P	Burner pipe	1
4	70.01.148P	Gasket f. blower burner	3
5	10.01.747P	Hex screw M5x19 Torx T20	2
6	70.01.200P	Gas blower / gas valve kit	1
8	87.01.644S	Gas valve E01	1
9	10.01.902P	Slotted head screw M5X16 T25	2
10	70.01.622P	Gasket corrugated hose	3
11	70.01.268P	Connection compensation tube	1
12	10.01.747P	Hex screw M5x19 Torx T20	4
13	70.01.198P	Gas blower / gas valve kit	1
14	87.01.644S	Gas valve E01	2
15	10.01.902P	Slotted head screw M5X16 T25	4
16	70.01.198P	Gas blower / gas valve kit	1
17	70.01.610P	Gas connection manifold	1
18	10.01.892P	Hex screw M5x20 Torx T20	1
19	70.00.188P	Hose fitting 3/4"-3/4"	1
20	70.01.335P	Air supply, hot air	1
21	70.01.334P	Air supply, hot air, top	1
22	70.01.331P	Air supply, steam	1
24	70.01.165P	Air hose adapter straight DN50	1
25	70.01.166P	Air hose adapter 90° DN50	2
100	87.01.740S	Wire set earth - ignition electrode	1

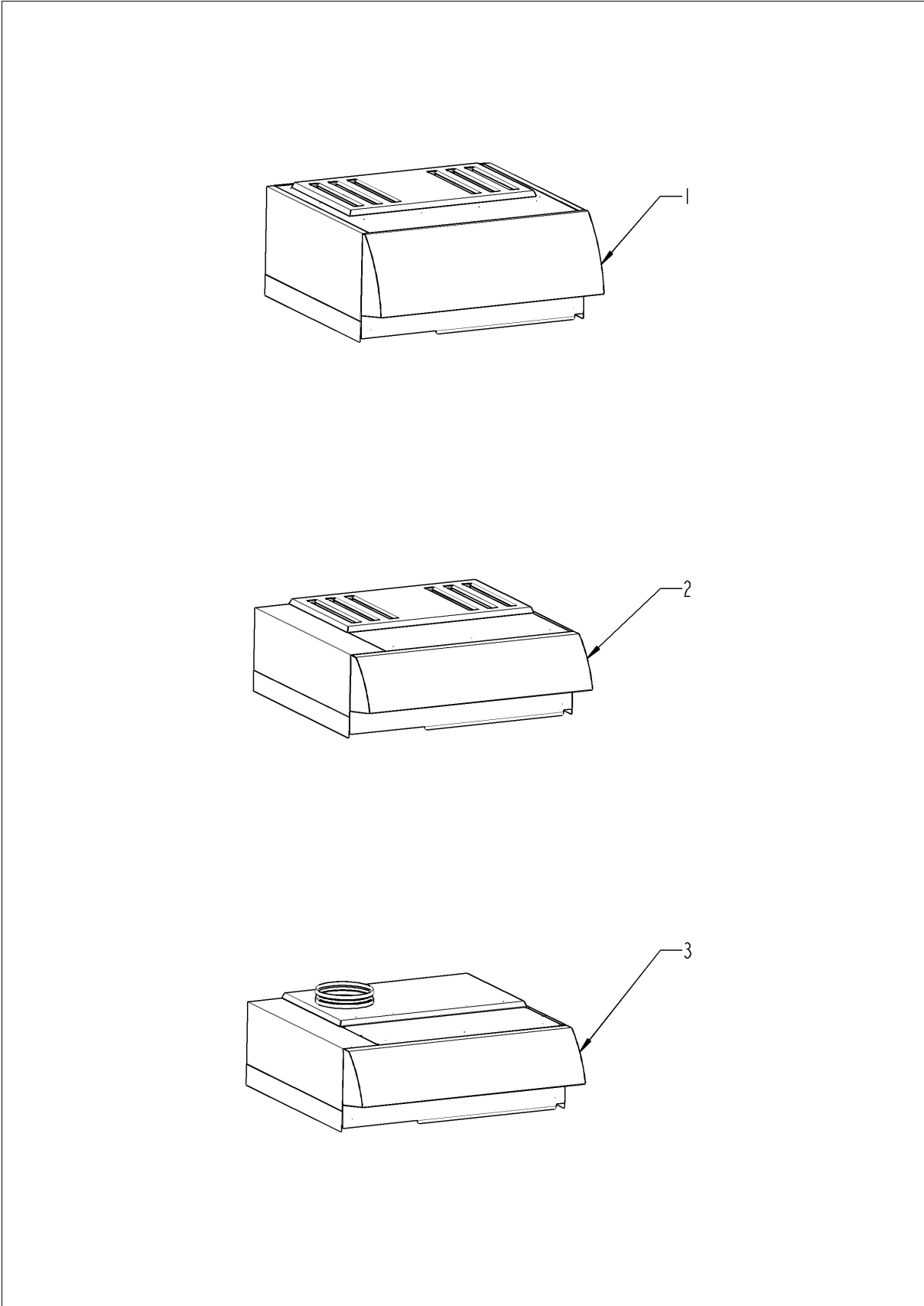
Standard accessory



Standard accessory

Pos.	Part no.	Description	Qty.
1	60.71.022P	Positioning support f. core sensor	1
3	60.60.566P	Drain plug with chain for trolley	1
4	60.74.681P	Castor with brake ø125mm	2
5	60.74.680P	Castor without brake ø125mm	2
6	60.22.072P	Handle for mobile oven rack	1
7	60.75.326	Condensation breaker	1
8		Exhaust hood	1

Exhaust hood



Exhaust hood

Pos.	Part no.	Description	Qty.
1		UltraVent Plus	1
2		UltraVent	1
3		Extractor hood	1



UltraVent Plus

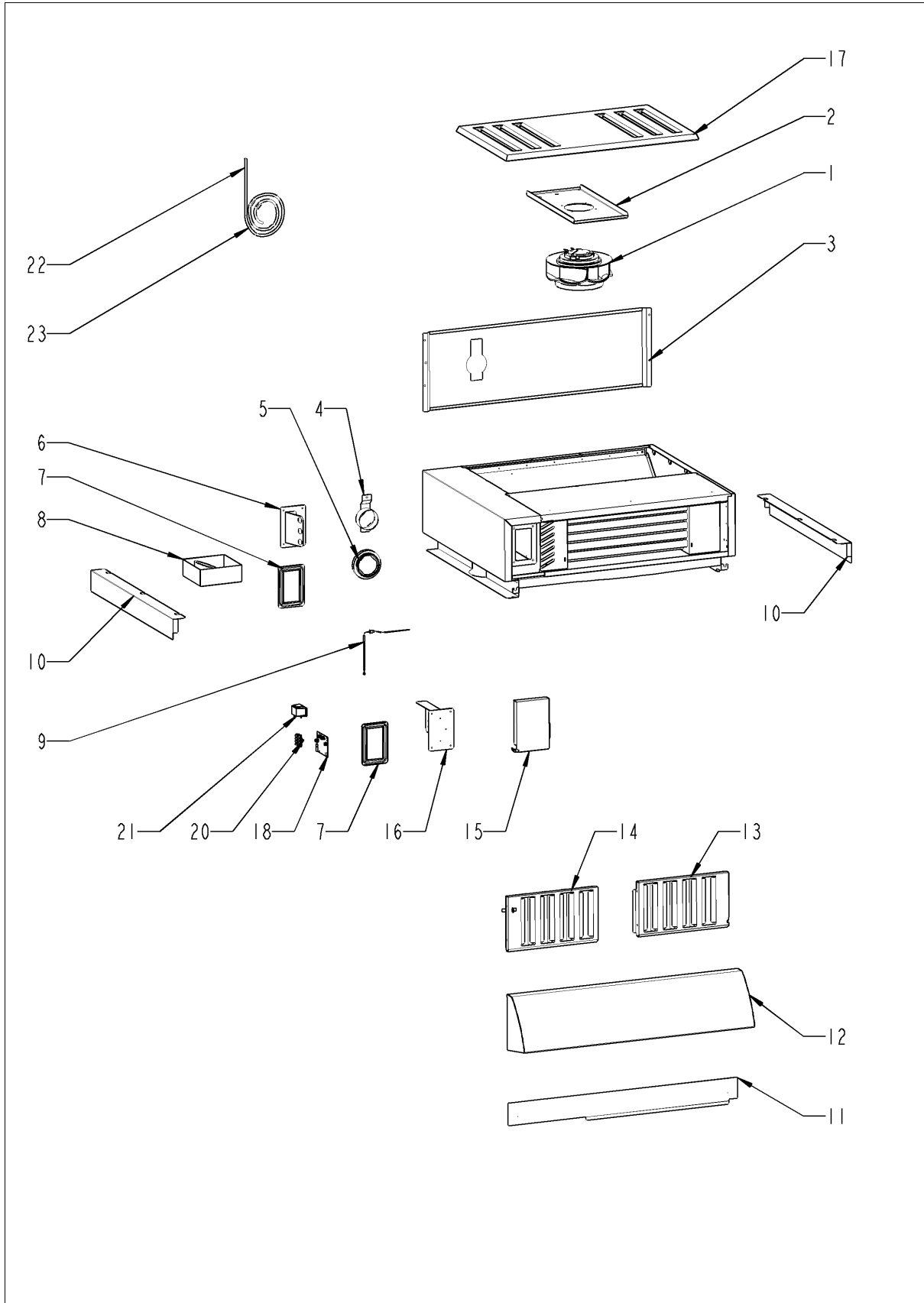
iCombi® ab 03/2020 202 - 20 x 2/1 Gastronorm
G22SJ2007



UltraVent Plus

Pos.	Part no.	Description	Qty.
------	----------	-------------	------

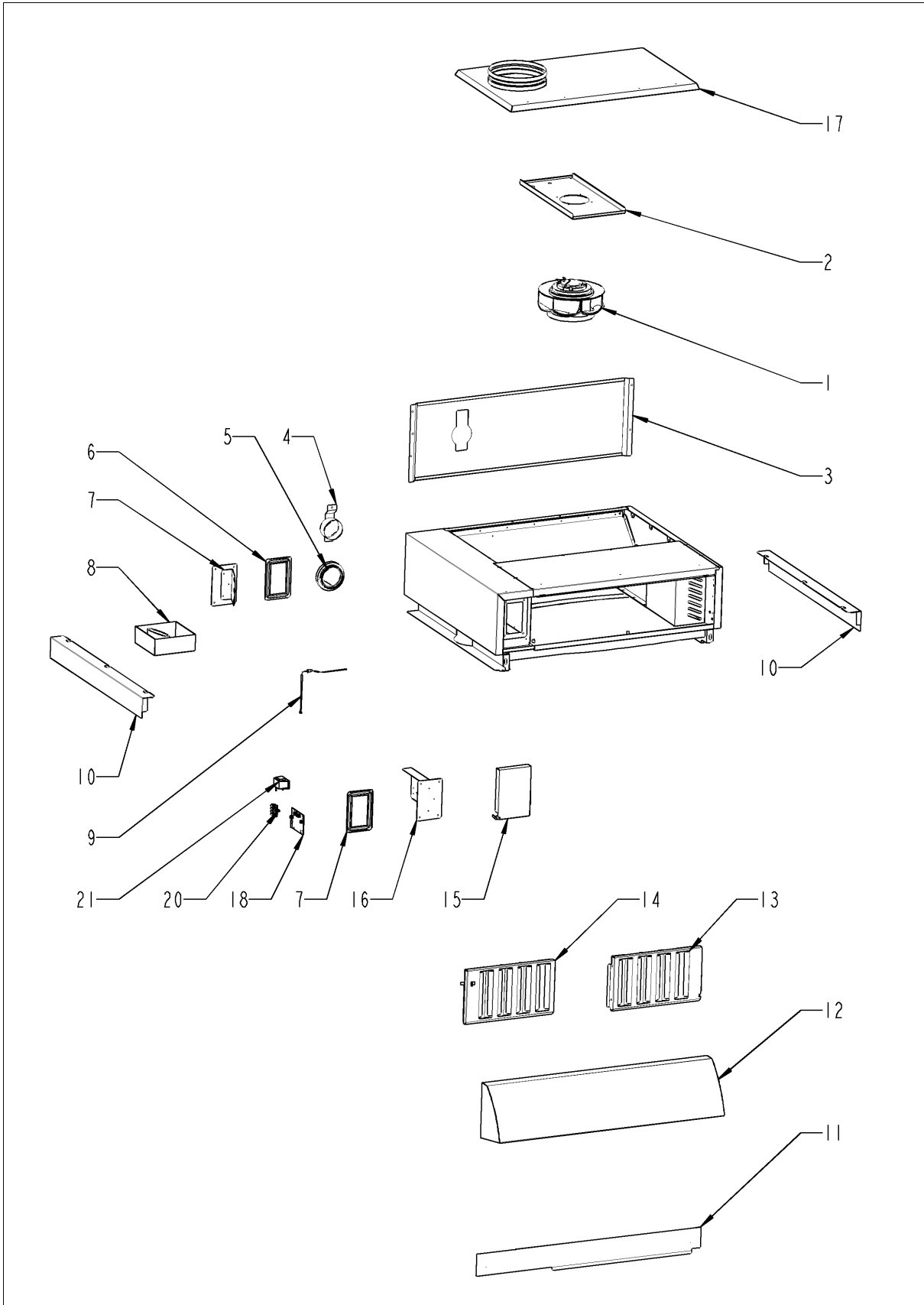
UltraVent



UltraVent

Pos.	Part no.	Description	Qty.
1	60.74.890S	Blower motor for Ultravent	1
1	60.74.889S	Blower motor for Ultravent	1
2	60.75.179S	Motor mounting plate	1
3	60.75.220S	Heat protection plate	1
4	60.75.215S	Closure Combi-Duo 70mm	1
6	60.75.171S	Electrical box cover back	1
7	60.75.212P	Electrical box seal	1
8	60.75.161P	Condensate collector 114,3mm	1
9	40.05.995P	Thermocouple	1
10	60.75.182P	side panels	1
11	60.75.185S	Front panel	1
12	60.75.197S	Front hood	1
13	60.76.456P	Baffle plate filter right	1
14	60.75.201P	Baffle plate filter left	1
15	60.75.209P	Electrical box cover	1
16	60.75.175S	Electric box cover front	1
17	60.76.534S	IPX5 Coverage	1
18	42.00.308S	Control pcb	1
19	60.76.574P	spacer CPU	1
20	60.76.447S	Connection terminal	1
21	60.76.448S	power chokes	1
21	60.76.449P	Capacitors	1
22	40.06.596P	Bus cable	1
24	87.01.781S	Thermocouple	1

Extractor hood



Extractor hood

Pos.	Part no.	Description	Qty.
1	60.74.890S	Blower motor for Ultravent	1
1	60.74.889S	Blower motor for Ultravent	1
2	60.75.179S	Motor mounting plate	1
3	60.75.220S	Heat protection plate	1
6	60.75.171S	Electrical box cover back	1
7	60.75.212P	Electrical box seal	1
8	60.75.161P	Condensate collector 114,3mm	1
9	40.05.995P	Thermocouple	1
10	60.75.182P	side panels	1
11	60.75.185S	Front panel	1
12	60.75.197S	Front hood	1
13	60.76.456P	Baffle plate filter right	1
14	60.75.201P	Baffle plate filter left	1
15	60.75.209P	Electrical box cover	1
16	60.75.175S	Electric box cover front	1
17	60.76.546S	Exhaust air plate	1
18	42.00.308S	Control pcb	1
19	60.76.574P	spacer CPU	1
20	60.76.447S	Connection terminal	1
21	60.76.448S	power chokes	1
21	60.76.449P	Capacitors	1
22	40.06.596P	Bus cable	1
24	87.01.781S	Thermocouple	1

Index

Part no.	Description	Page
24.03.057P	Abrasion protection for glide socket	29
22.01.329P	Air baffle	25
70.01.166P	Air hose adapter 90° DN50	41
70.01.165P	Air hose adapter straight DN50	41
40.05.654P	Air inlet filter cpl.	11, 33
40.05.657P	Air inlet filter cpl.	33
22.01.385P	Air inlet pipe	13
87.01.619S	Air shaft cpl.	7
70.01.335P	Air supply, hot air	41
70.01.334P	Air supply, hot air, top	41
70.01.331P	Air supply, steam	41
10.00.696P	Allen screw M4x6 w. Precoat 85	19, 21
70.01.209S	Automatic ignition controller	41
16.04.089P	Back panel, right	35
60.75.201P	Baffle plate filter left	49, 51
60.76.456P	Baffle plate filter right	49, 51
60.74.890S	Blower motor for Ultravent	49, 51
60.74.889S	Blower motor for Ultravent	49, 51
16.00.384S	Bracket for door contact switch	33
24.04.213S	Bracket left f. door floor model	29
24.04.212S	Bracket right f. door floor model	29
87.01.655S	Burner hot air	17
87.01.658S	Burner hot air	17
70.01.078P	Burner pipe	41
70.01.279S	Burner steam gen. kit	15
40.06.596P	Bus cable	49, 51
40.05.858P	Bus cable 1.08m	7
40.07.147P	Bus cable 1.96m	7
40.07.149P	Bus cable 2.08m	7
40.06.854P	Cable A11-A18	7
40.00.320P	Cable connection M20x1.5	7
40.04.495P	Cable connection M25 ø5mm *divisible*	7

Index

Part no.	Description	Page
40.06.067P	Cable control harness	7
40.06.760P	Cable control pcb - capacitive switch	5
40.06.569P	Cable CPU - TFT	5
40.06.405P	Cable harness isolating transformer	7
40.06.878P	Cable holder	7
40.06.248P	Cable SC pump	7
40.06.251P	Cable, Care pump	7
40.06.242P	Cable, circulation pump	7
87.01.595S	Cable, interior light W40 *door lighting*	29
40.06.718P	Cable, interior light W57 *door lighting*	7
40.06.245P	Cable, sewage pump	7
10.00.090P	Cap f. Torx T30	27
12.02.605P	Cap for door mounting support bottom	27
10.01.076P	Cap nut M5*A2	23, 25
60.76.449P	Capacitors	49, 51
56.01.466P	Care container with pump	39
56.01.508S	Care hose	39
60.74.681P	Castor with brake ø125mm	43
60.74.680P	Castor without brake ø125mm	43
50.00.156P	Clamp f. hand shower roll guide	37
10.00.087P	Clamp strap f. sensor	25
56.01.370P	Cleaning box	39
56.01.328S	CleanJet hose	39
60.75.215S	Closure Combi-Duo 70mm	49
2001.0109P	Compression spring	27
60.75.161P	Condensate collector 114,3mm	49, 51
60.75.326	Condensation breaker	43
52.00.137S	Connect. hose f. hand shower roll guide	37
70.01.268P	Connection compensation tube	41
60.76.447S	Connection terminal	49, 51
87.01.535S	Control panel insert *RAT*	5
42.00.308S	Control pcb	49, 51

Index

Part no.	Description	Page
42.00.251P	Control pcb (w/o SD-Card)	5
40.06.355P	Cooling fan	7
1315.0104P	Copper washer 16x20x1,5	25
10.01.755P	Countersunk screw M5x20 A2	33, 35
1003.2265P	Countersunk self tapping screw 4,2x16	35
24.03.062P	Cover cap for door	29
16.03.735P	Cover f. control pcb w. gasket	5
16.04.110P	Cover for door mounting support	27
87.01.637S	Cover for pump	39
16.03.453P	Crossbar top	35
16.03.756P	Dial f. pulse generator	5
24.04.112S	Door	27
24.03.040P	Door bolt	27
24.04.245P	Door bolt	27
24.01.351P	Door catch	27
20.00.399P	Door gasket	25
24.04.065P	Door handle RATIONAL	27
24.04.244P	Door lock	27
24.04.219P	Door setting bolt	29
40.06.380P	Door switch	33
22.01.468P	Drain hose for humidity control, top	13
44.02.797S	Drain hose steam generator	15
44.02.232P	Drain hose steam generator	15
60.60.566P	Drain plug with chain for trolley	43
56.00.952P	Drawer Care container	39
74.01.039P	Earth electrode, hot air	19, 21
10.00.103P	EJOT PT-screw KA 3.5x10	33
60.75.175S	Electric box cover front	49, 51
60.75.209P	Electrical box cover	49, 51
60.75.171S	Electrical box cover back	49, 51
60.75.212P	Electrical box seal	49, 51
40.06.408P	Electrical mounting plate	9

Index

Part no.	Description	Page
42.00.286P	Electronic noise filter	9
44.02.287P	Emergency drainage hose	15
56.01.501P	Emergency overflow-tube	39
56.01.024P	Emptying pump	15
60.76.546S	Exhaust air plate	51
87.01.559S	Fan motor	23
22.01.151S	Fan wheel	23
24.03.787S	Fixing bracket kit for interior glass pane	29
40.03.756P	Fixing clip f. pcb	9
24.04.619P	Fixing device f. magnet with magnet	29
40.06.053P	Fixing device for safety temperature limiter	25
16.03.747P	Fixing display / pcb	5
72.00.505P	Fixing plate steam generator thermostat	15
22.01.427P	Flange f. motor shaft gasket	23
87.01.635S	Flap mechanism	31
2039.0111P	Foot adjustable, metal, 40 x 40	33
60.75.197S	Front hood	49, 51
16.03.688P	Front panel	35
60.75.185S	Front panel	49, 51
40.06.767P	Fuse 4A *Typ 5HT 4-R*	9
3019.0120P	Fuse 5x20mm	7
40.01.487P	Fuse holder 2pol	9
40.01.873P	Fuse SC-15A 10x38	9
70.01.200P	Gas blower / gas valve kit	41
70.01.198P	Gas blower / gas valve kit	41
70.01.610P	Gas connection manifold	41
87.01.644S	Gas valve E01	41
70.01.622P	Gasket corrugated hose	41
56.01.461P	Gasket DN60	39
74.00.290P	Gasket electrode hot air	19, 21
70.01.148P	Gasket f. blower burner	41
16.03.729P	Gasket f. breather tube d=117.3mm	33

Index

Part no.	Description	Page
72.00.408P	Gasket f. burner carrier	15
74.00.296P	Gasket f. heat exchanger below	17
70.01.258P	Gasket f. ignition electrode	15
54.01.168P	Gasket f. inspection lid	37
24.05.092P	Gasket glass pane/trolley	31
74.01.119P	Gasket hot air heat exchanger/interior cabinet	17
44.02.200P	Gasket SC pump	15
24.04.469S	Gasket support	31
24.05.228S	Glass pane bundle	29
22.01.425P	Graphit seal for gasket flange	23
44.01.505P	Grommet Ø12x8,2	15
52.00.127S	Hand shower black	37
52.00.099P	Hand shower roll guide	37
60.22.072P	Handle for mobile oven rack	43
60.75.220S	Heat protection plate	49, 51
10.01.065P	Hex nut M5	15, 17, 25
10.00.709P	Hex nut M6 w. locking	9, 23
10.01.751P	Hex nut M16 DIN934 A2	25
10.01.747P	Hex screw M5x19 Torx T20	41
10.01.892P	Hex screw M5x20 Torx T20	41
10.00.099S	Hex screw M8x12	27
10.00.936P	Hex screw M8x20	23, 27
10.01.208P	Hex screw M8x80 A2	7
60.72.206	Holder for handle mobile oven rack Type 20-1/1, 20-2/1	33
16.03.749P	Hook for parking position	5
2066.0205P	Hose clamp 8-16x9 mm SW 7mm	15
10.01.994P	Hose clamp 15.88 mm	39
2066.0521P	Hose clamp 27mm	39
2066.0518P	Hose clamp 30mm	15
10.01.667P	Hose clamp 122mm	37
2066.0527P	Hose clamp ø14mm	13
52.00.146P	Hose f. hand shower	37

Index

Part no.	Description	Page
70.00.188P	Hose fitting 3/4"-3/4"	41
2067.0709P	Hose for water supply 2500mm	37
22.00.525P	Hose set f. humidity control	13
50.02.121P	Hose, water supply, steam generator	15
74.01.169S	Hot air heat exchanger below	17
74.01.163S	Hot air heat exchanger top	17
22.01.402P	Humidity control cpl.	13
70.01.250S	Ignition electrode kit for steam generator	15
70.01.247S	Ignitionelectrode, hot air 350mm	19
70.01.248S	Ignitionelectrode, hot air 960mm	21
54.01.864S	Inspection lid, B2	37
72.00.077P	Insulation f. burner steam gen.	15
40.06.410P	Interface cable LAN 2m	5, 7
40.05.509P	Interface LAN IPX6	7
87.01.741S	Interface USB	7
40.05.919P	IO-module	9
60.76.534S	IPX5 Coverage	49
20.02.807P	Isolation for mounting plate for motor	23
87.01.627S	Kit Steam generator insulated	15
74.00.913P	L- insulator for ignition electrode, hot air	19, 21
87.01.578S	LED bar	29
87.01.586S	LED optics	29
50.00.086P	Locking plate f. water distribution	37
10.01.703P	Locking ring 16 mm	39
10.01.707P	Locking ring 25mm	15
40.06.728P	Loudspeaker K 64 WPTR	11
74.01.118P	Mating flange heat exchanger	17
40.06.811P	Meat probe sensor	25
16.03.748P	Metal cramp f. panel insert	5
42.00.359P	Micro SD card	5
44.02.496S	Molded hose with level electrode	15
42.00.278P	Motor control for fan motor	23

Index

Part no.	Description	Page
60.75.179S	Motor mounting plate	49, 51
22.00.985P	Motor shaft gasket D15	23
40.05.702P	Mounting device f. pressure sensor	13
22.01.423P	Mounting support f. gasket flange	23
40.06.116S	Mounting support for pump pcb	9
40.06.681S	Mounting support power transformer	7
50.02.004P	Nozzle f. moistening	17
10.01.694P	O-ring for humidity control	13
56.01.631P	O-ring for pump	39
42.00.287P	Operator pcb *TFT*	5
10.01.880P	Ornamental screw M8x25	27
56.01.503P	Outlet sieve	25
50.02.006P	Plastic pipe PEEK	17
24.05.458P	Plastic spreader rivet	29
50.00.085P	Plug-in spring f. hand shower roll guide	37
60.71.022P	Positioning support f. core sensor	43
60.76.448S	power chokes	49, 51
40.06.757P	Power supply cable 3xAWG14 3m	7
40.03.468P	Power transformer	7
24.04.232S	Pre heat mechanism f. door cpl.	29
24.04.677S	Pre heat sheet f. door	31
3017.1011P	Pressure sensor Huba 401	13
40.06.037P	Pulse generator	5
56.01.028P	Pump f. CareControl	39
56.01.020P	Pump f. cleaning	39
44.02.179S	Pump housing	15
42.00.273P	Pump pcb	9
10.00.515P	Rivet 3,2x6.8 A2/NSF	25
1604.0161P	Rivet 4x6 CNS	29
10.00.904P	Rivet B4x8	29
10.00.989P	Rivet with screw	9, 29, 41
40.01.358P	Rocker switch 1 pole	9

Index

Part no.	Description	Page
54.01.650S	Rubber form piece venting pipe	37
87.01.548S	Safety device / water supply for steam generator	15
40.06.684P	Safety temperature limiter	25
40.06.098P	Screen for safety temperature limiter	25
40.06.877P	Screen interior cabinet sensor	25
40.05.489P	Screen interior cabinet sensor	25
16.04.062P	Sealing block	5
16.03.701P	Sealing block LAN	5
16.03.342P	Sealing f. panel insert	5
42.00.346P	Sensor on / off	5
16.03.458P	Side panel left	35
16.04.082P	Side panel right	35
60.75.182P	side panels	49, 51
56.01.627S	Silicone hose with hose clamps	39
10.01.902P	Slotted head screw M5X16 T25	41
1104.0820P	Snap nut 4,2mm	35
50.02.012P	Solenoid valve fivefold	37
60.76.574P	spacer CPU	49, 51
24.05.002P	Stop spacer	27
50.02.137P	Supply hose for "Care box"	39
50.02.202P	Supply hose for moistening	37
44.02.227S	Supply hose safety armature	15
40.06.112P	Temperature sensor eSTB	25
40.06.131P	Temperature sensor eSTB 240mm	15
40.05.995P	Thermocouple	49, 51
87.01.781S	Thermocouple	49, 51
40.06.792S	Thermocouple humidity *B4*	25
40.06.876P	Thermocouple interior cabinet B1	25
40.06.730P	Thermocouple interior cabinet B9	25
40.06.722P	Thermocouple steam generator *B5*	15
1206.0120P	Tooth lock washer A6,4	33
16.03.460P	Top cover	35



Index

Part no.	Description	Page
56.01.430P	Tulip for handshower	33
50.02.005P	Union nut	17
40.06.044P	USB socket with cable	5
72.00.490P	V Clamp 70mm right	15
40.06.214P	Vent cover	13, 33
22.01.456P	Vent cover, left	13
40.06.570P	Ventilation at top	13
54.01.929P	Ventilation pipe	37
1308.0162P	Washer A8,4	23
56.01.017P	Waste water pump Cleaning box	39
87.01.740S	Wire set earth - ignition electrode	41

