



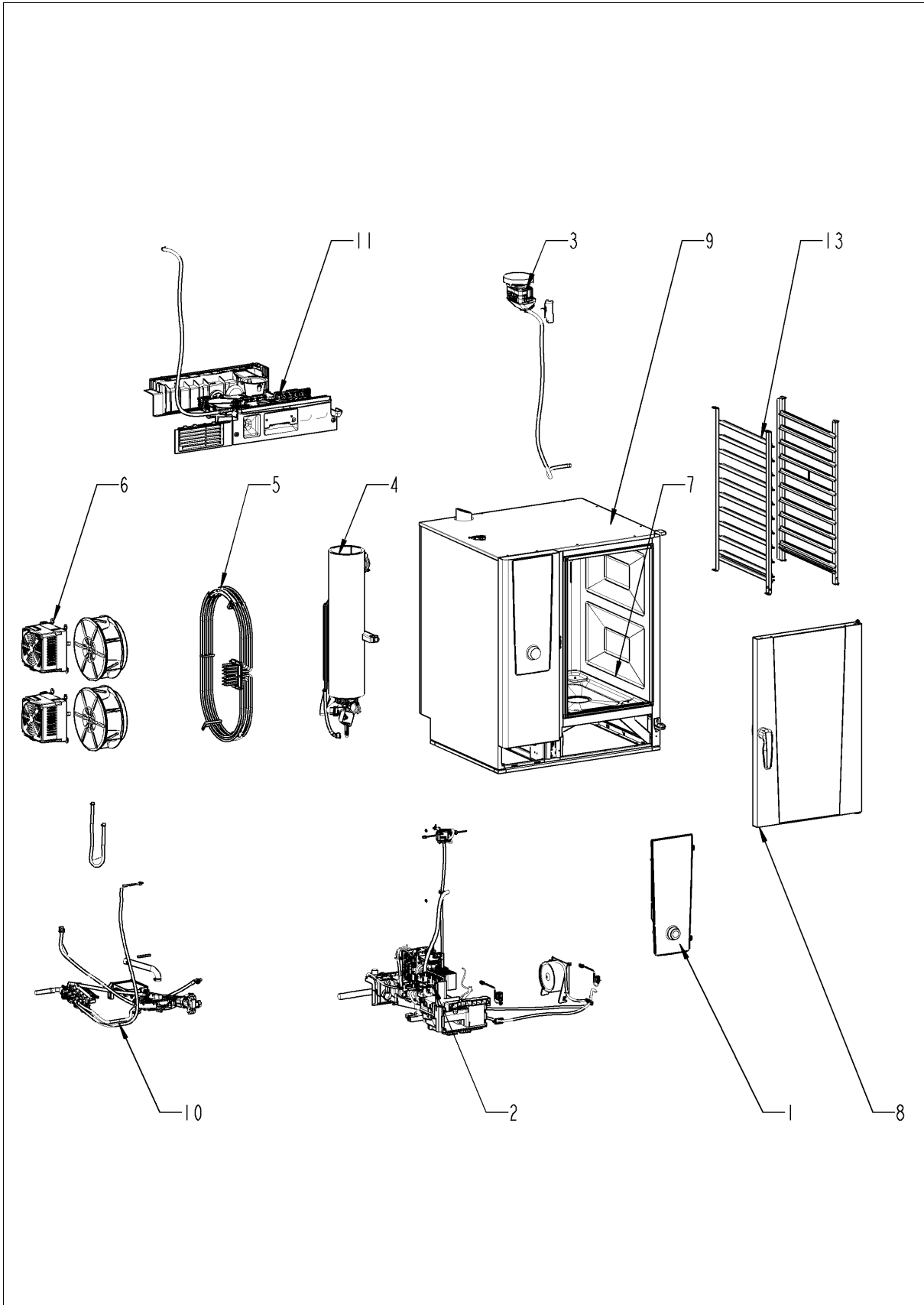
Service part catalogue

iCombi® ab 03/2020 101 - 10 x 1/1 Gastronorm

E11SJ2007



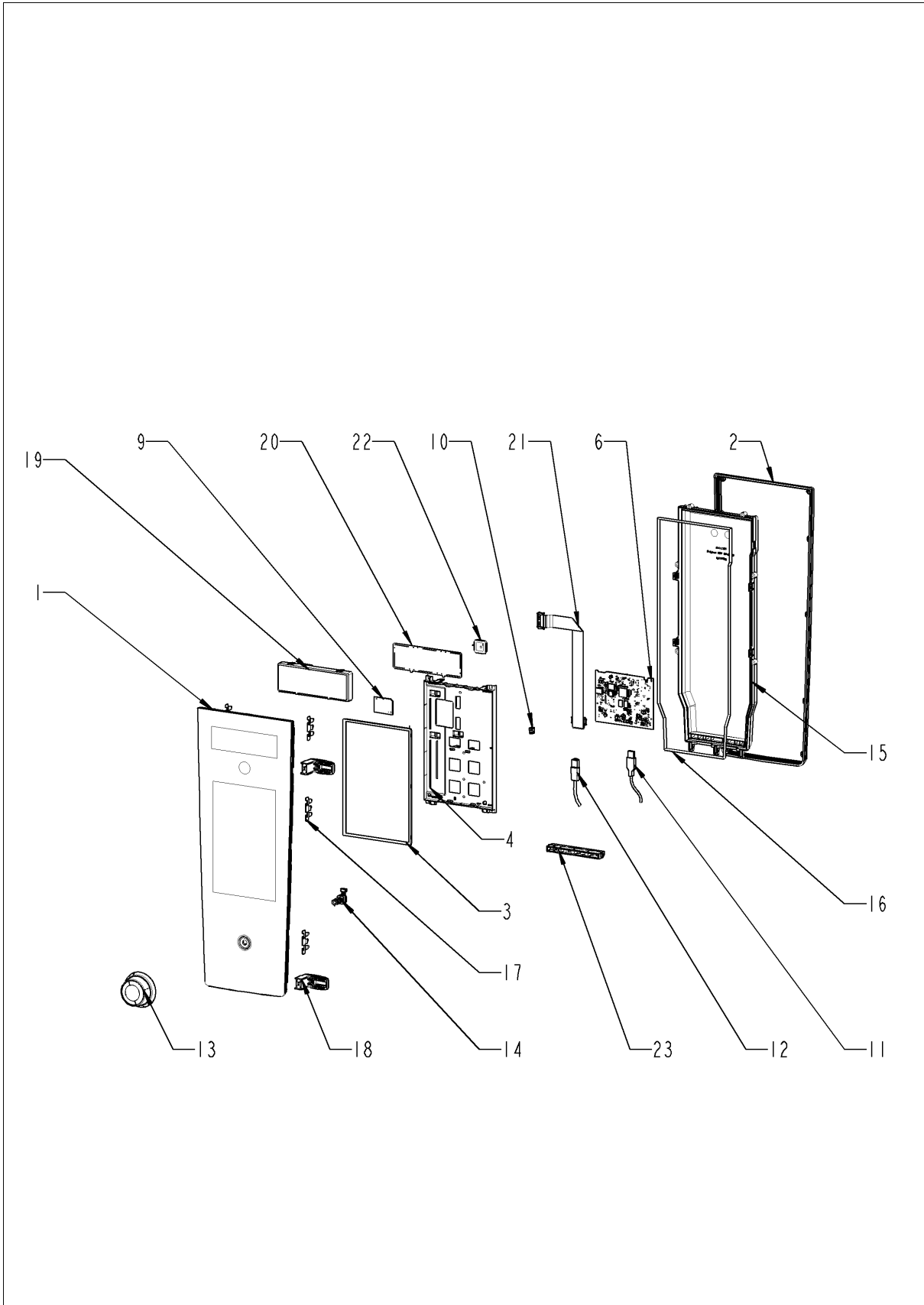
Overview



Overview

Pos.	Assembly	Page
1	Control panel	4
2	Electrical installation	6
3	ClimaPlus	12
4	Steam generator	14
5	Hot air heating	16
6	Motor and fan wheel	18
7	Interior cabinet	20
8	Door	22
9	Exterior cabinet	26
10	Water	30
11	CleanJet + Care	32
13	Standard accessory	34

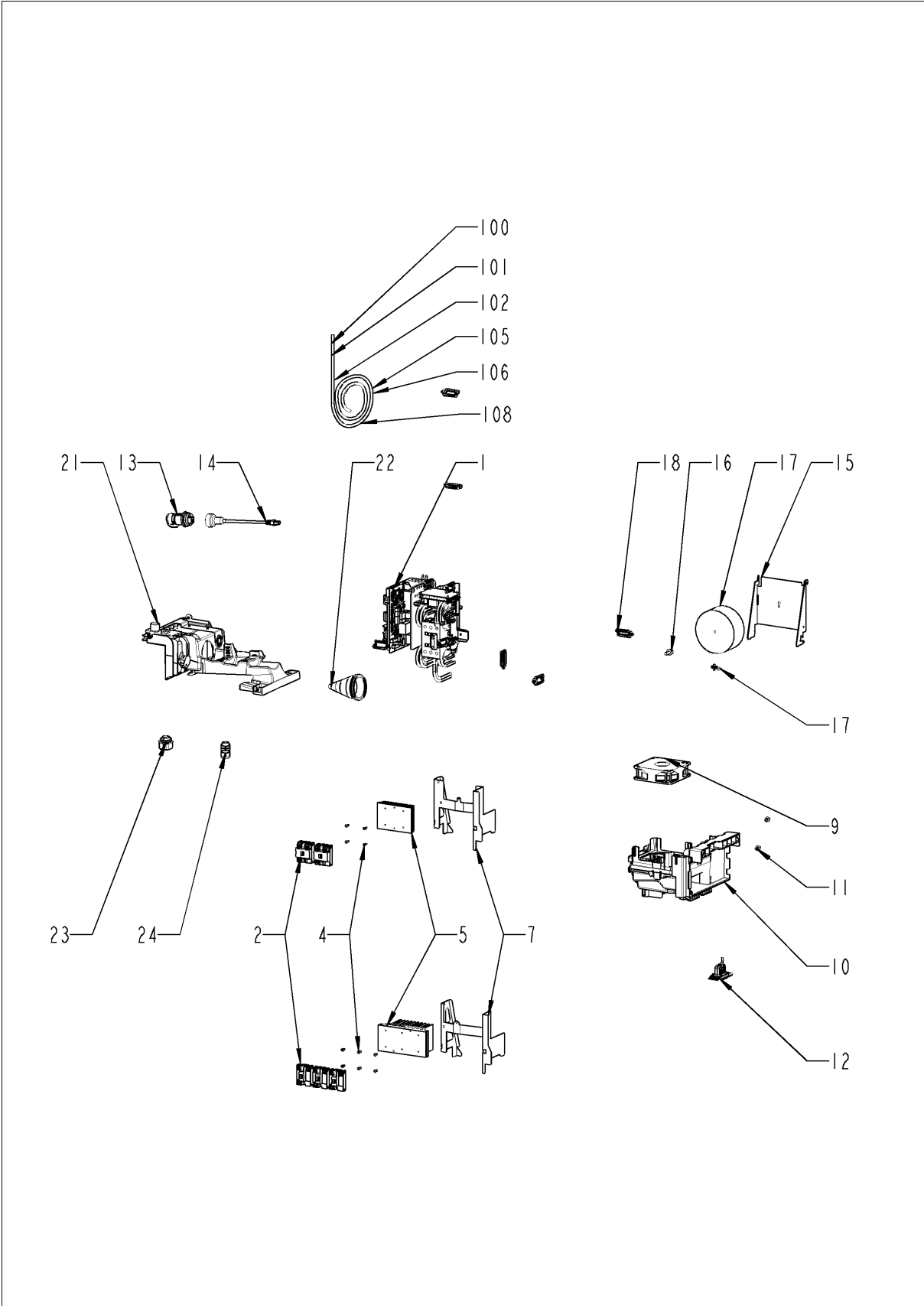
Control panel



Control panel

Pos.	Part no.	Description	Qty.
1	87.01.535S	Control panel insert *RAT*	1
2	16.03.342P	Sealing f. panel insert	1
3	42.00.287P	Operator pcb *TFT*	1
4	16.03.747P	Fixing display / pcb	1
6	42.00.335P	Control pcb without WiFi (w/o SD-Card)	1
8	42.00.359P	Micro SD card	1
9	42.00.346P	Sensor on / off	1
10	40.06.760P	Cable control pcb - capacitive switch	1
11	40.06.044P	USB socket with cable	1
12	40.06.409P	Interface cable LAN 1.5m	1
13	16.03.756P	Dial f. pulse generator	1
14	40.06.037P	Pulse generator	1
15	16.03.735P	Cover f. control pcb w. gasket	1
17	16.03.748P	Metal cramp f. panel insert	6
18	16.03.749P	Hook for parking position	2
21	40.06.569P	Cable CPU - TFT	1
23	16.04.062P	Sealing block	1
23	16.03.701P	Sealing block LAN	1

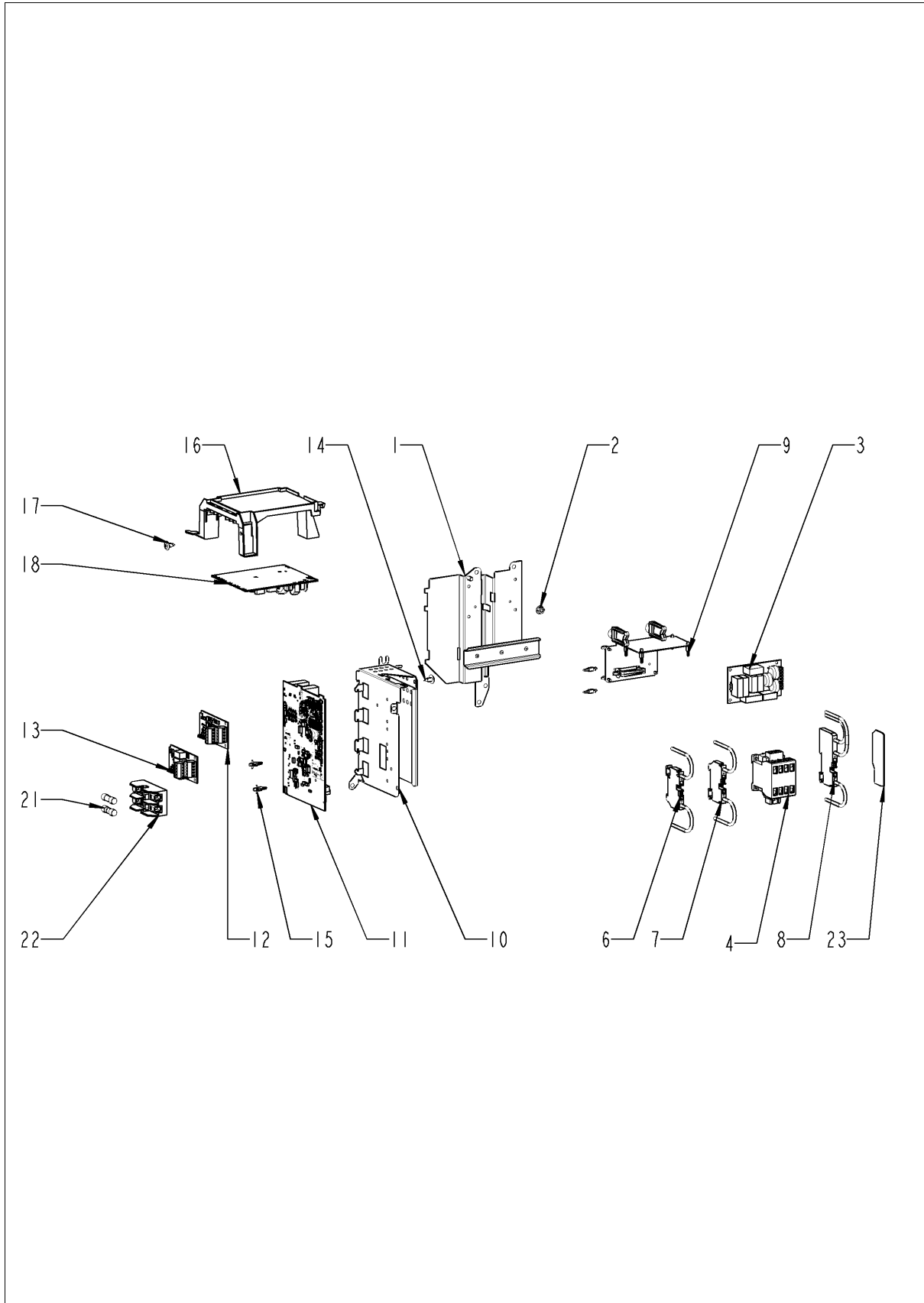
Electrical installation



Electrical installation

Pos.	Part no.	Description	Qty.
1		Electrical installation	1
2	40.00.453P	Solid state relais	3
3	10.01.266P	Pan head screw Torx T20 10,5mm	5
4	10.01.776P	Pan head screw Torx T20 M4x12	4
5	40.04.211P	Heat sink 3 SSR	1
6	10.01.776P	Pan head screw Torx T20 M4x12	1
7	40.05.861P	Mounting device heat sink SSR	1
9	40.05.993P	Cooling fan	1
10	40.06.565P	Air shaft cpl.	1
11	10.00.989P	Rivet with screw	1
12	40.06.043P	Interface USB	1
13	40.06.327P	Interface LAN IPX6	1
14	40.06.409P	Interface cable LAN 1.5m	1
15	40.05.968P	Mounting support power transformer	1
16	1008.0769P	Ornamental screw M8x30	1
18	40.06.878P	Cable holder	8
21	87.01.620S	Cable entry	1
22	40.00.391S	Cable bushing f. cable entry	1
23	40.00.320P	Cable connection M20x1.5	1
24	40.04.495P	Cable connection M25 ø5mm *divisible*	1
100	40.06.145P	Cable control harness	1
101	40.06.625P	Pump harness	1
102	40.06.624P	Cable harness base	1
112	40.06.741P	Power supply cable 4x16 mm ² 3m	1
114	40.05.895P	Bus cable 1.16m	1
115	40.05.858P	Bus cable 1.08m	1
116	40.05.858P	Bus cable 1.08m	1
117	40.07.146P	Bus cable 1.35m	1

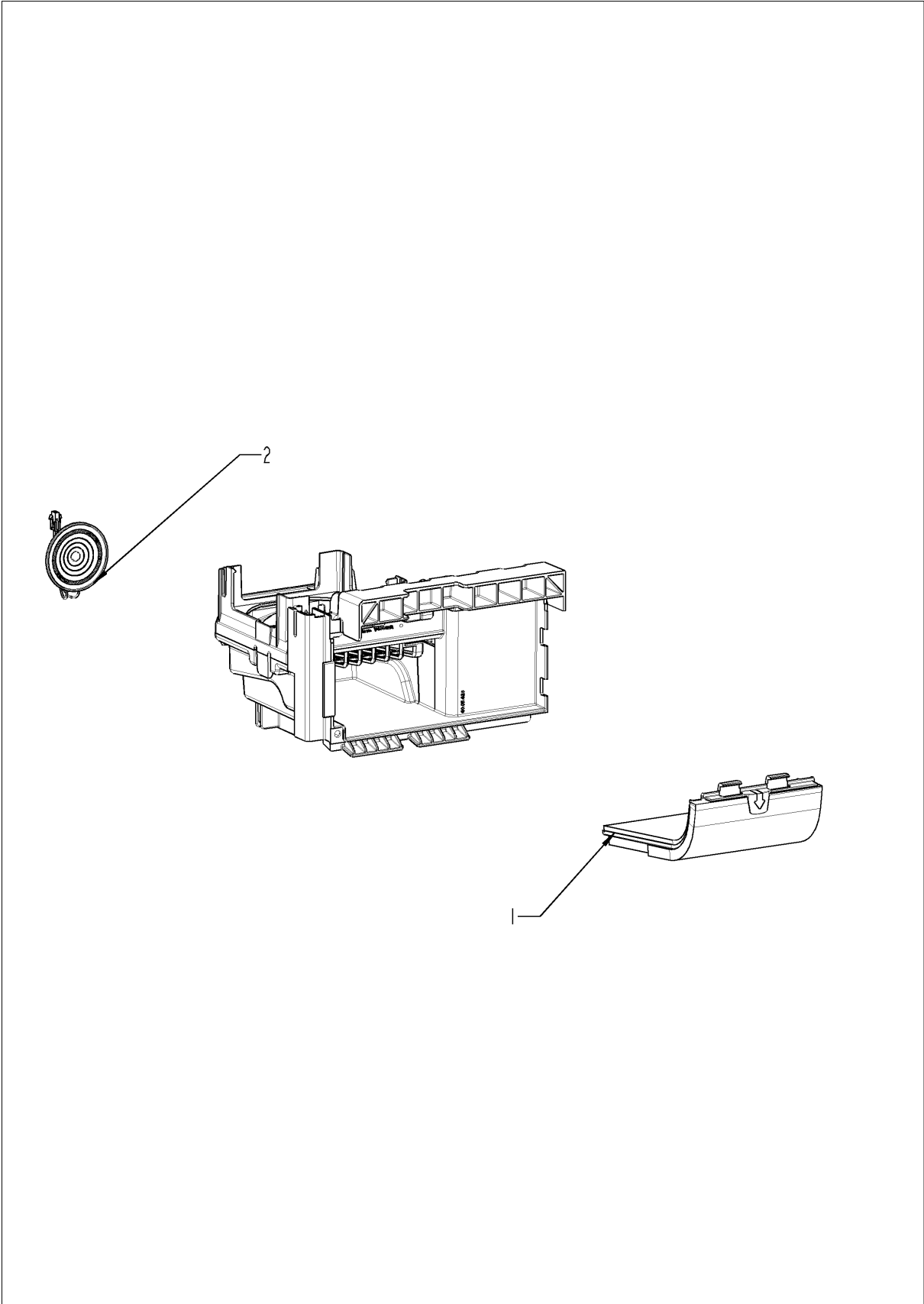
Electrical installation



Electrical installation

Pos.	Part no.	Description	Qty.
1	40.06.384P	Electrical mounting plate	1
2	10.00.709P	Hex nut M6 w. locking	1
3	42.00.336P	Electronic noise filter	1
4	40.06.455P	Contactor K3-40B00 190R T AZ	1
6	40.05.274P	Earth terminal WKFN 16 SL/35	1
9	40.03.756P	Fixing clip f. pcb	1
11	40.05.919P	IO-module	1
14	10.00.989P	Rivet with screw	1
15	40.03.756P	Fixing clip f. pcb	1
16	40.04.953P	Mounting support for pump pcb	1
17	10.00.989P	Rivet with screw	1
18	42.00.273P	Pump pcb	1
28	40.06.767P	Fuse 4A *Typ 5HT 4-R*	1

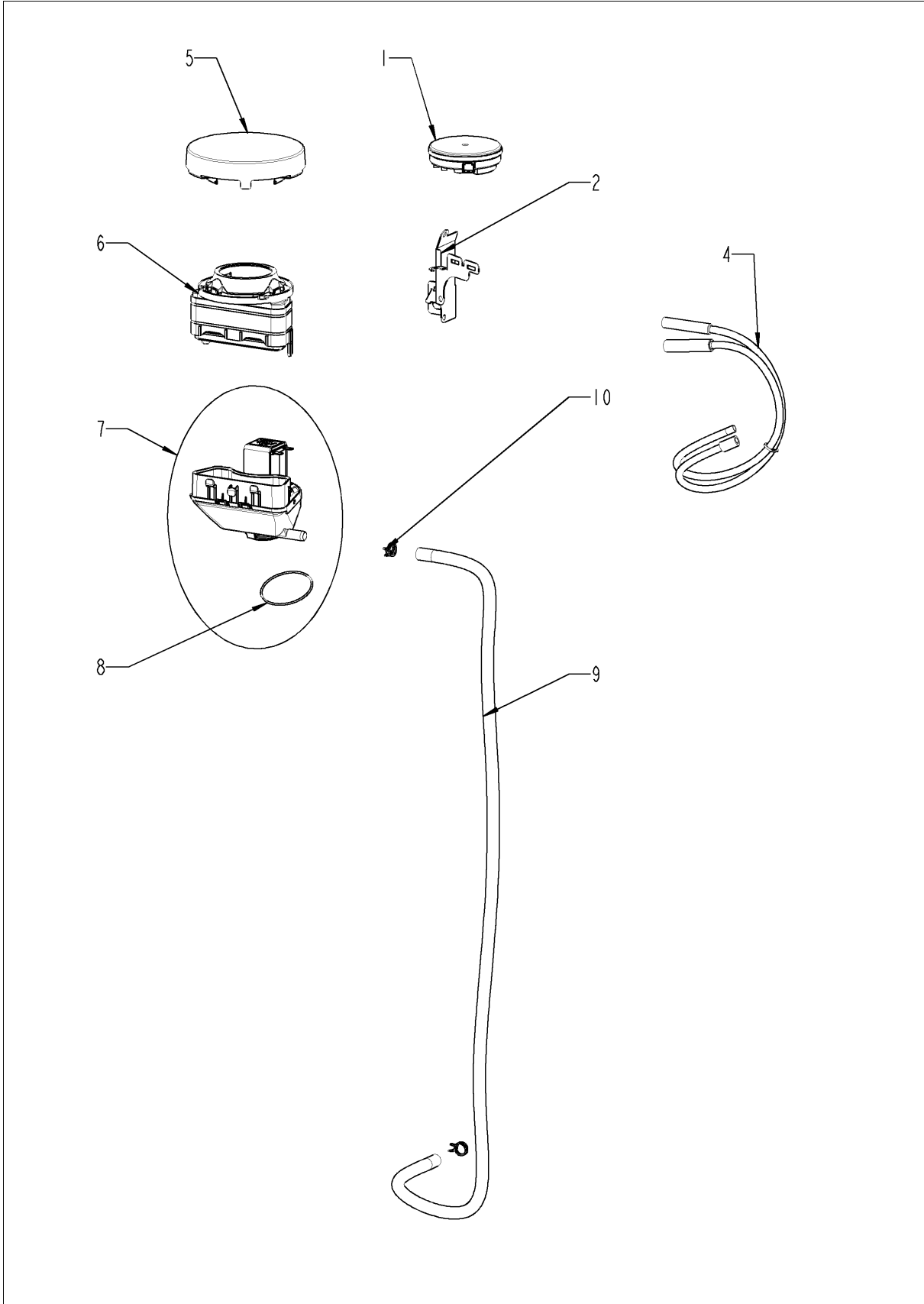
Air shaft cpl.



Air shaft cpl.

Pos.	Part no.	Description	Qty.
1	40.05.424P	Air inlet filter cpl.	1
2	40.06.728P	Loudspeaker K 64 WPTR	1

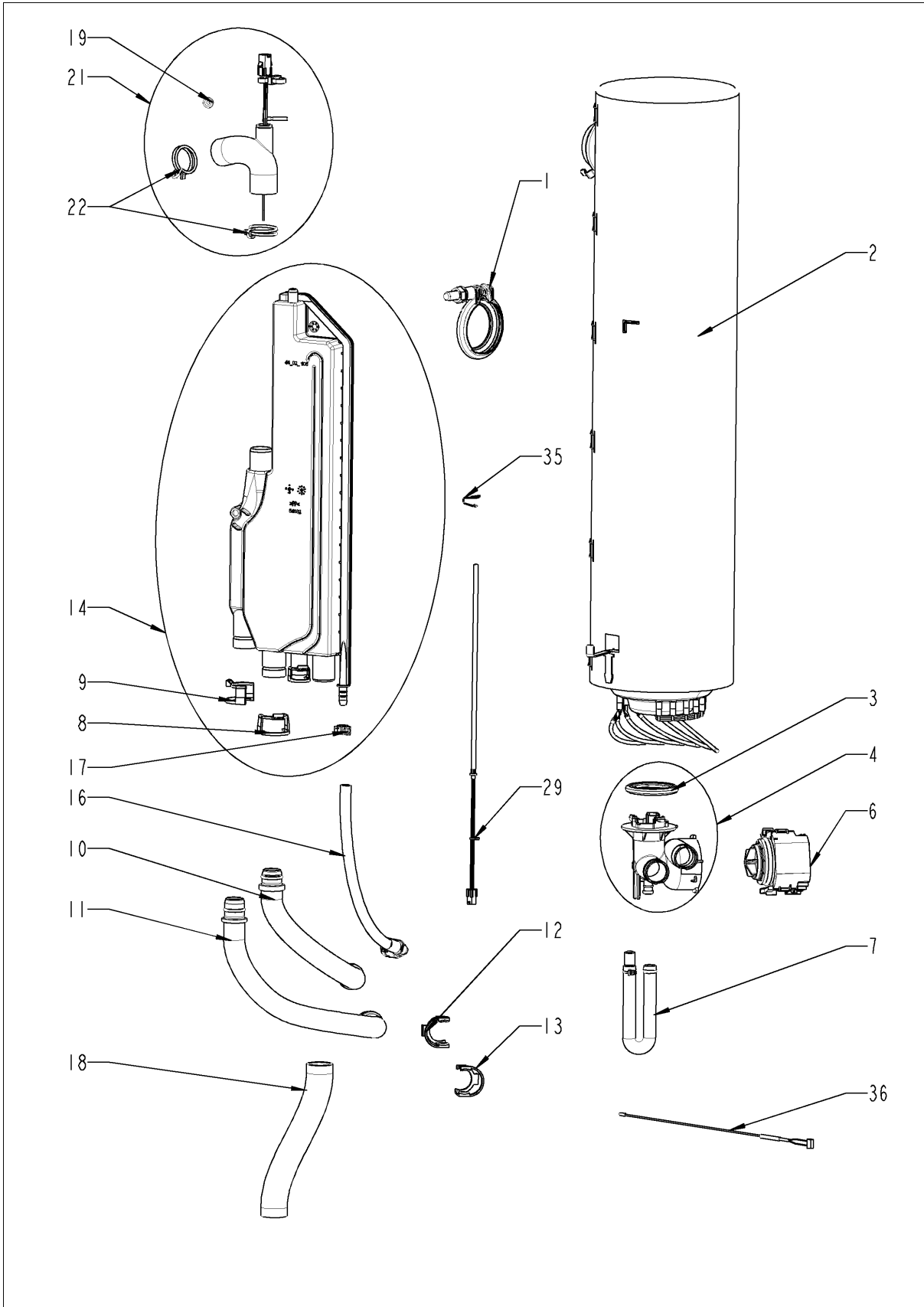
ClimaPlus



ClimaPlus

Pos.	Part no.	Description	Qty.
1	3017.1011P	Pressure sensor Huba 401	1
2	40.05.435P	Mounting device f. pressure sensor	1
4	22.00.525P	Hose set f. humidity control	1
5	22.01.409P	Vent cover	1
6	87.01.553S	Air inlet pipe	1
7	22.01.402P	Humidity control cpl.	1
8	10.01.694P	O-ring for humidity control	2
9	56.01.518P	Drain hose set, humidity control, unit drip collector	1
10	2066.0527P	Hose clamp ø14mm	2

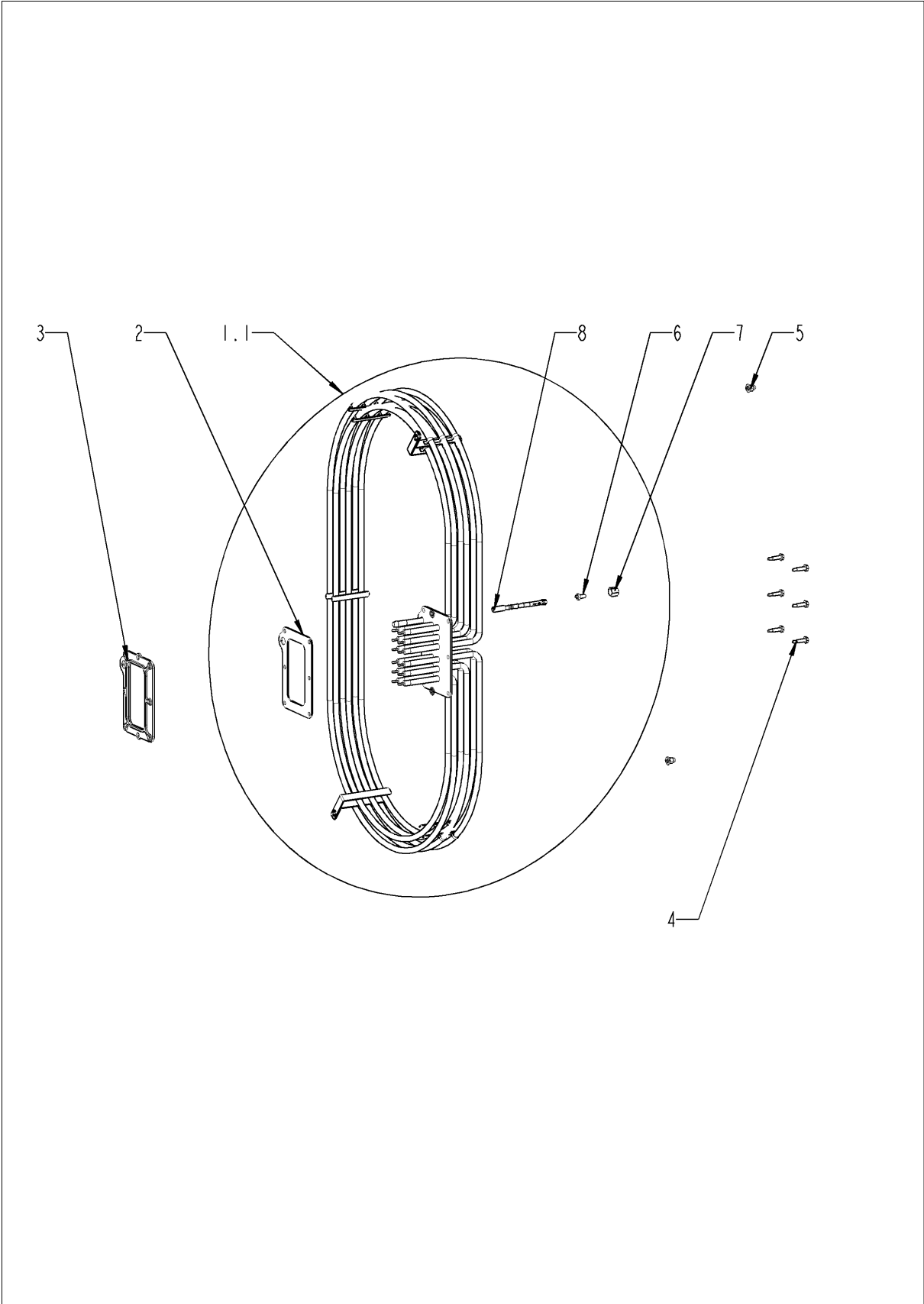
Steam generator



Steam generator

Pos.	Part no.	Description	Qty.
1	72.00.491P	V Clamp 50mm left	1
2	87.01.718S	Kit Steam generator insolated	1
3	44.02.200P	Gasket SC pump	1
4	44.02.179S	Pump housing	1
6	56.01.024P	Emptying pump	1
7	44.02.287P	Emergency drainage hose	1
8	10.01.707P	Locking ring 25mm	1
9	10.01.707P	Locking ring 25mm	1
10	44.02.227S	Supply hose safety armature	1
11	44.02.221S	Drain hose steam generator	1
12	10.01.707P	Locking ring 25mm	1
13	10.01.707P	Locking ring 25mm	1
14	87.01.547S	Safety device / water supply for steam generator	1
16	50.02.117P	Hose, water supply, steam generator	1
17	2066.0205P	Hose clamp 8-16x9 mm SW 7mm	1
18	44.02.231P	Drain hose steam generator	1
19	44.01.505P	Grommet Ø12x8,2	1
21	44.02.492S	Molded hose with level electrode	1
22	2066.0518P	Hose clamp 30mm	2
29	40.06.131P	Temperature sensor eSTB 240mm	1
35	44.02.752P	Fixing plate steam generator thermostat	1
36	40.06.227P	Thermocouple steam generator *B5*	1

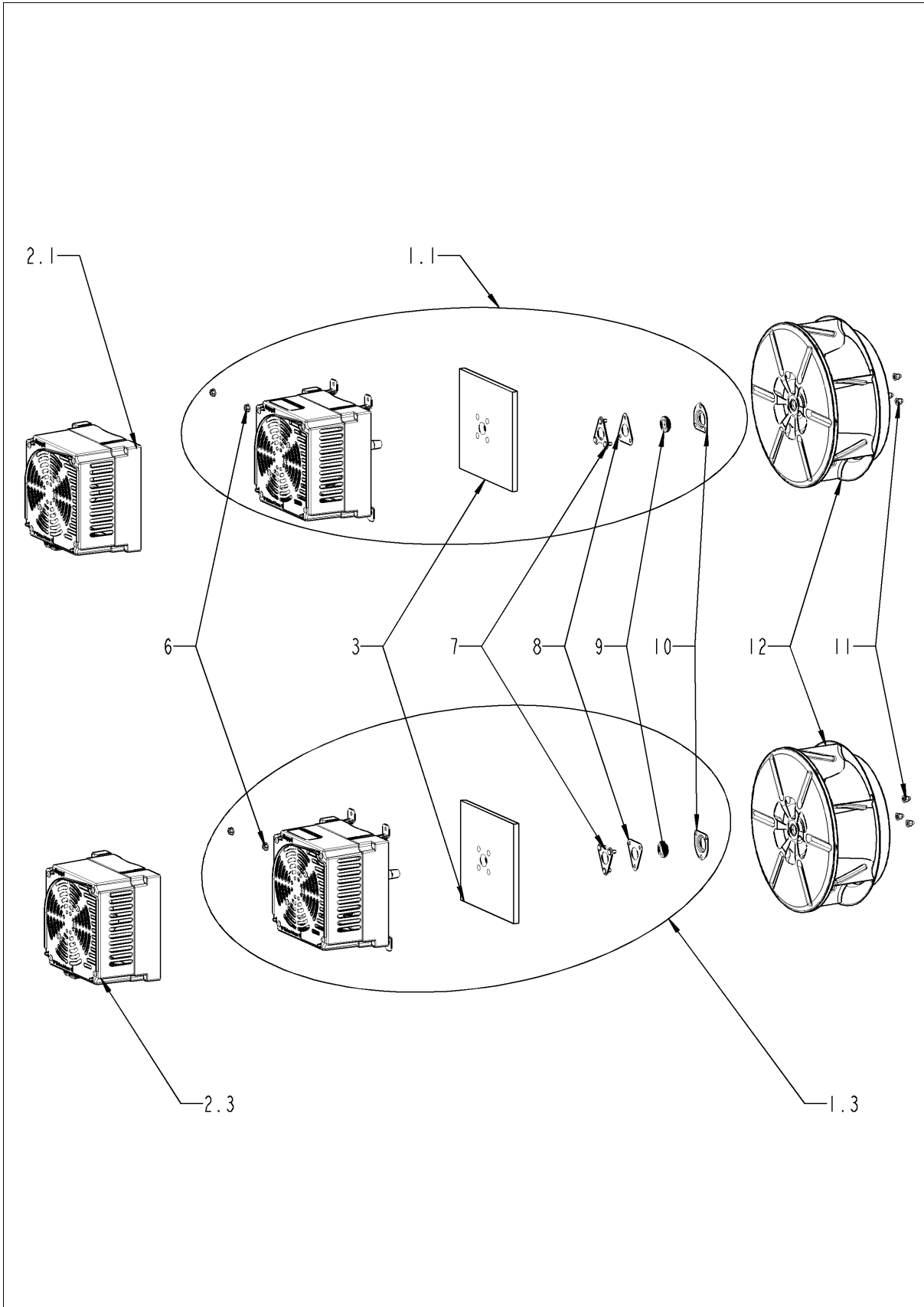
Hot air heating



Hot air heating

Pos.	Part no.	Description	Qty.
1.1	87.01.681S	Heating assembly with gasket	1
2	46.00.284P	Gasket f. heating assembly	1
3	46.00.285P	Mating flange f. heating assembly	1
4	10.00.109P	Hex screw M5x23	6
5	10.01.076P	Cap nut M5*A2	2
6	50.02.004P	Nozzle f. moistening	1
7	50.02.005P	Union nut	1
8	50.02.006P	Plastic pipe PEEK	1

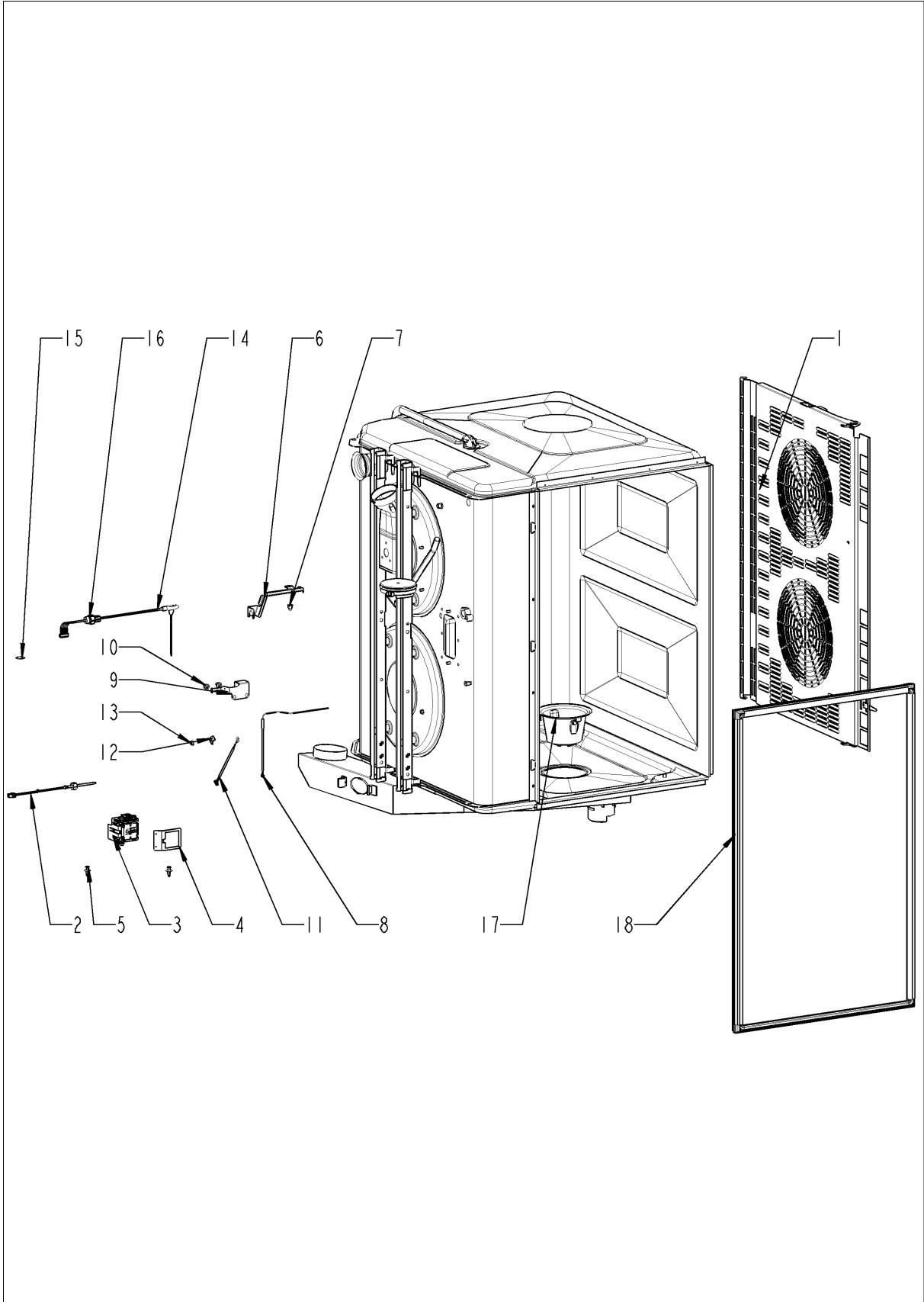
Motor and fan wheel



Motor and fan wheel

Pos.	Part no.	Description	Qty.
1.1	87.01.558S	Fan motor	1
1.3	87.01.560S	Fan motor	1
2.1	42.00.276P	Motor control for fan motor	1
2.3	42.00.277P	Motor control for fan motor	1
3	20.02.807P	Isolation for mounting plate for motor	2
6	10.00.709P	Hex nut M6 w. locking	8
7	22.01.423P	Mounting support f. gasket flange	2
8	22.01.425P	Graphit seal for gasket flange	2
9	22.00.985P	Motor shaft gasket D15	2
10	22.01.427P	Flange f. motor shaft gasket	2
11	10.01.076P	Cap nut M5*A2	6
12	22.01.164S	Fan wheel	2
13	1308.0162P	Washer A8,4	2
14	10.00.936P	Hex screw M8x20	2

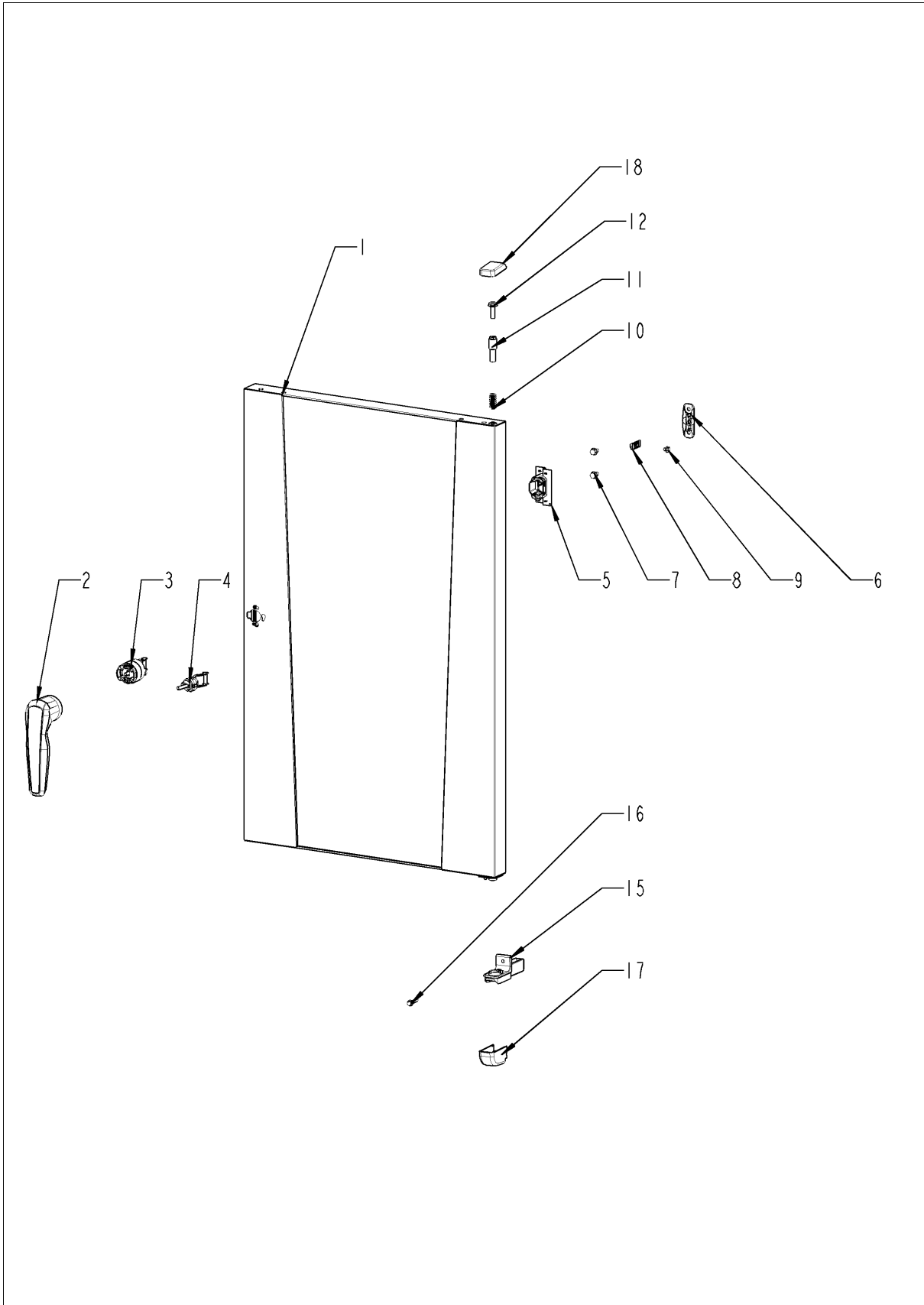
Interior cabinet



Interior cabinet

Pos.	Part no.	Description	Qty.
1	22.01.340P	Air baffle	1
2	40.06.112P	Temperature sensor eSTB	1
3	40.06.683P	Safety temperature limiter	1
4	40.06.053P	Fixing device for safety temperature limiter	1
5	10.00.515P	Rivet 3,2x6.8 A2/NSF	2
6	40.06.098P	Screen for safety temperature limiter	1
7	10.01.076P	Cap nut M5*A2	1
8	40.06.224P	Thermocouple interior cabinet B1	1
9	40.05.489P	Screen interior cabinet sensor	1
10	10.01.076P	Cap nut M5*A2	2
11	40.06.212S	Thermocouple humidity *B4*	1
12	10.00.087P	Clamp strap f. sensor	1
13	10.01.065P	Hex nut M5	1
14	40.06.372P	Meat probe sensor	1
15	1315.0104P	Copper washer 16x20x1,5	1
16	10.01.751P	Hex nut M16 DIN934 A2	1
17	56.01.491P	Outlet sieve	1
18	20.02.552P	Door gasket	1

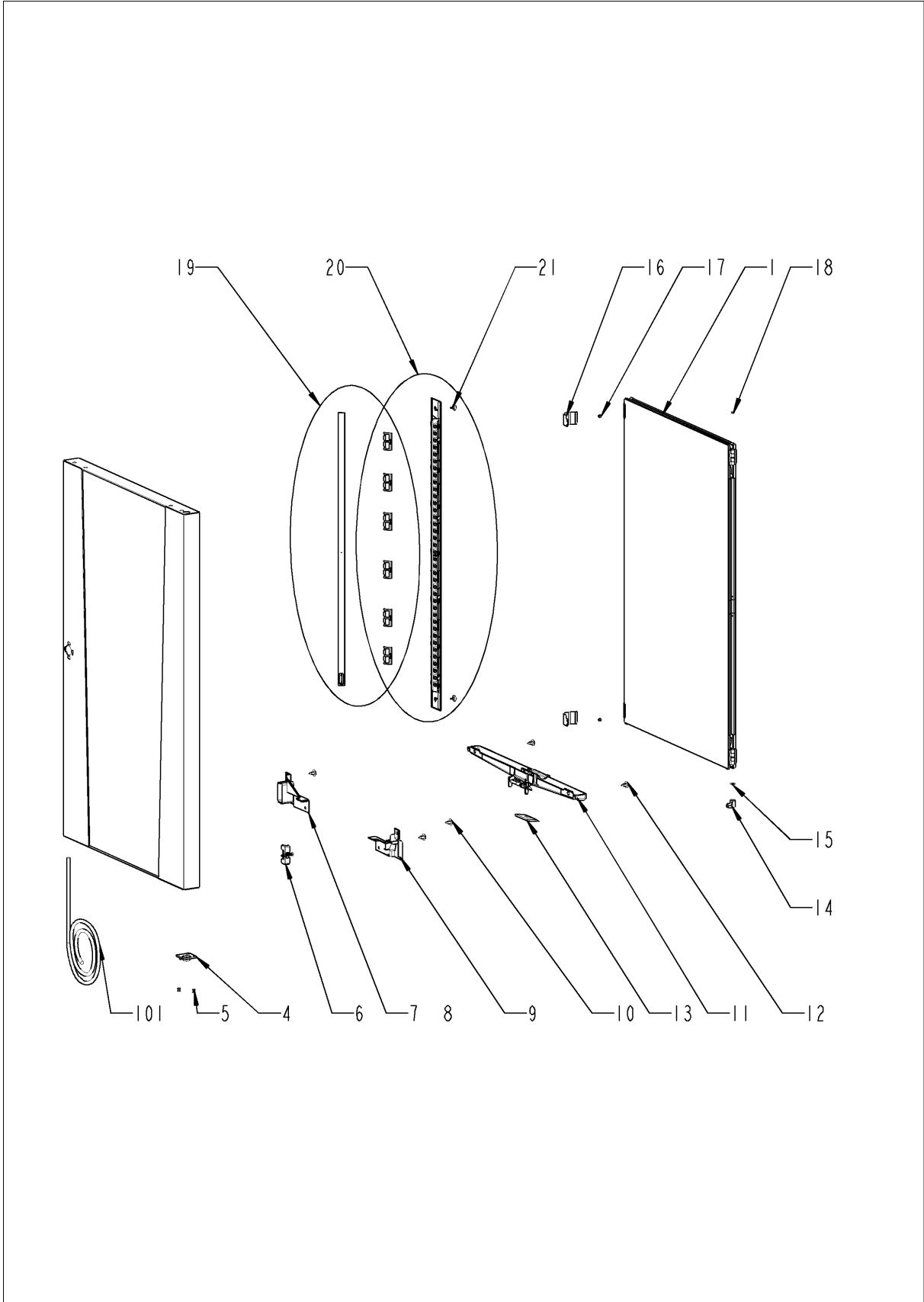
Door



Door

Pos.	Part no.	Description	Qty.
1	24.04.097S	Door	1
2	24.04.083P	Door handle RATIONAL	1
3	24.03.041P	Door lock with spring U-bolt	1
5	24.04.211P	Lock cover	1
6	24.02.958P	Holding bracket f. door catch	1
7	10.01.719P	Hex screw M6x12	2
8	24.02.959P	Door catch	1
9	24.02.960P	Interlocking tooth screw M5x6	1
10	2001.0109P	Compression spring	1
11	24.03.040P	Door bolt	1
12	1008.0768P	Ornamental screw M8x16	1
15	14.01.056P	Door mounting support bottom	1
16	10.01.755P	Countersunk screw M5x20 A2	1
17	56.01.245P	Cap for door mounting support bottom	1
18	16.04.110P	Cover for door mounting support	1

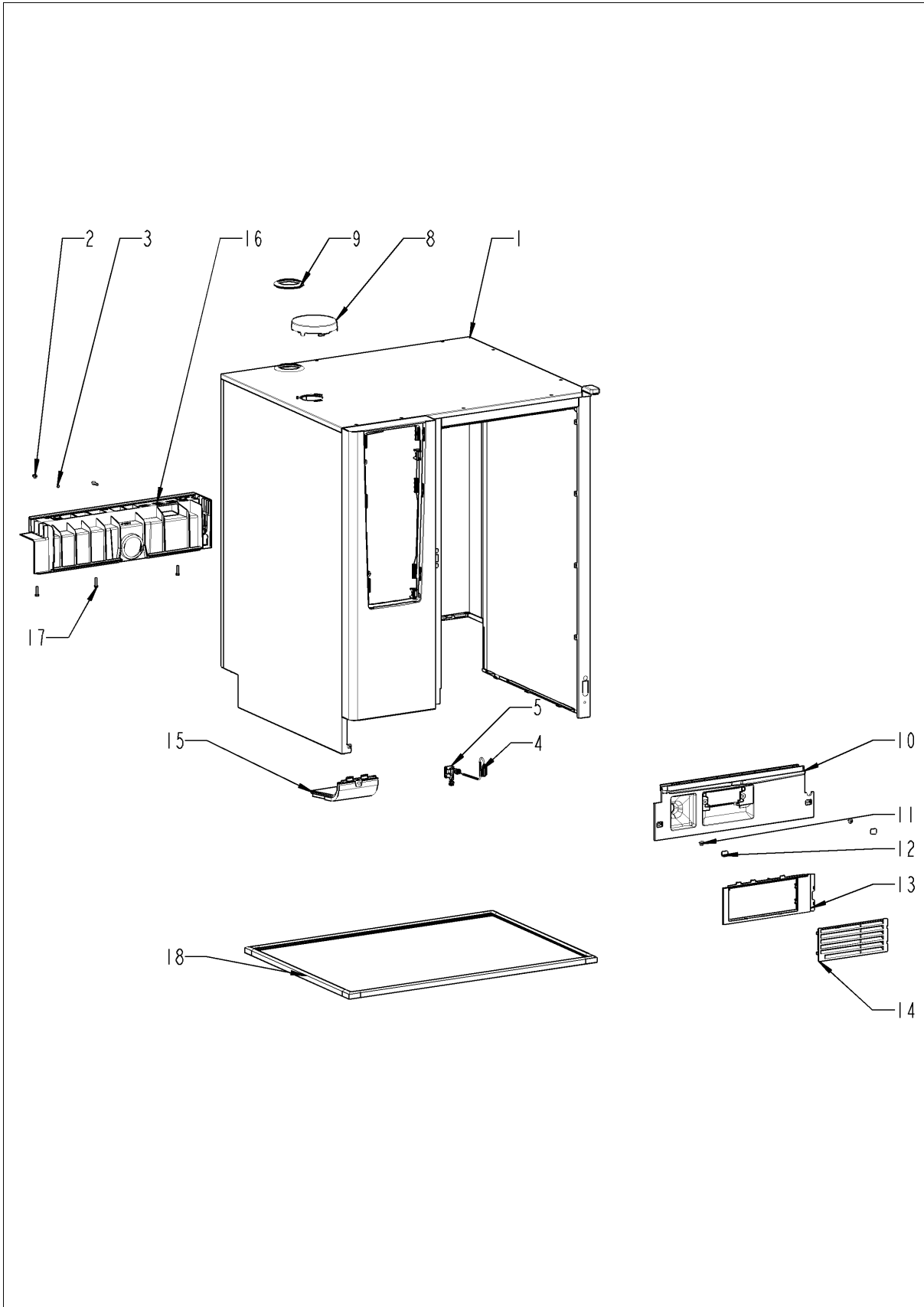
Door



Door

Pos.	Part no.	Description	Qty.
1	24.04.897S	Glass pane bundle	1
4	24.04.217P	Door setting bolt	1
5	10.00.904P	Rivet B4x8	2
6	24.04.619P	Fixing device f. magnet with magnet	1
7	24.04.598S	Cover for door magnet	1
8	10.00.989P	Rivet with screw	2
9	24.05.303S	Hinge cover	1
10	10.00.989P	Rivet with screw	2
11	24.05.382P	Door drip collector	1
12	10.00.989P	Rivet with screw	2
13	24.05.345P	Drain seal for door drip collector	1
14	24.03.056P	Slide bush for door	1
15	24.03.057P	Abrasion protection for glide socket	1
16	24.03.787S	Fixing bracket kit for interior glass pane	2
17	1604.0161P	Rivet 4x6 CNS	1
18	24.03.062P	Cover cap for door	1
19	87.01.581S	LED bar	2
20	87.01.582S	LED optics	2
21	24.05.458P	Plastic spreader rivet	4
22	24.03.764P	Spacer for door	1
101	40.06.078P	Cable, interior light W40 *door lighting*	1

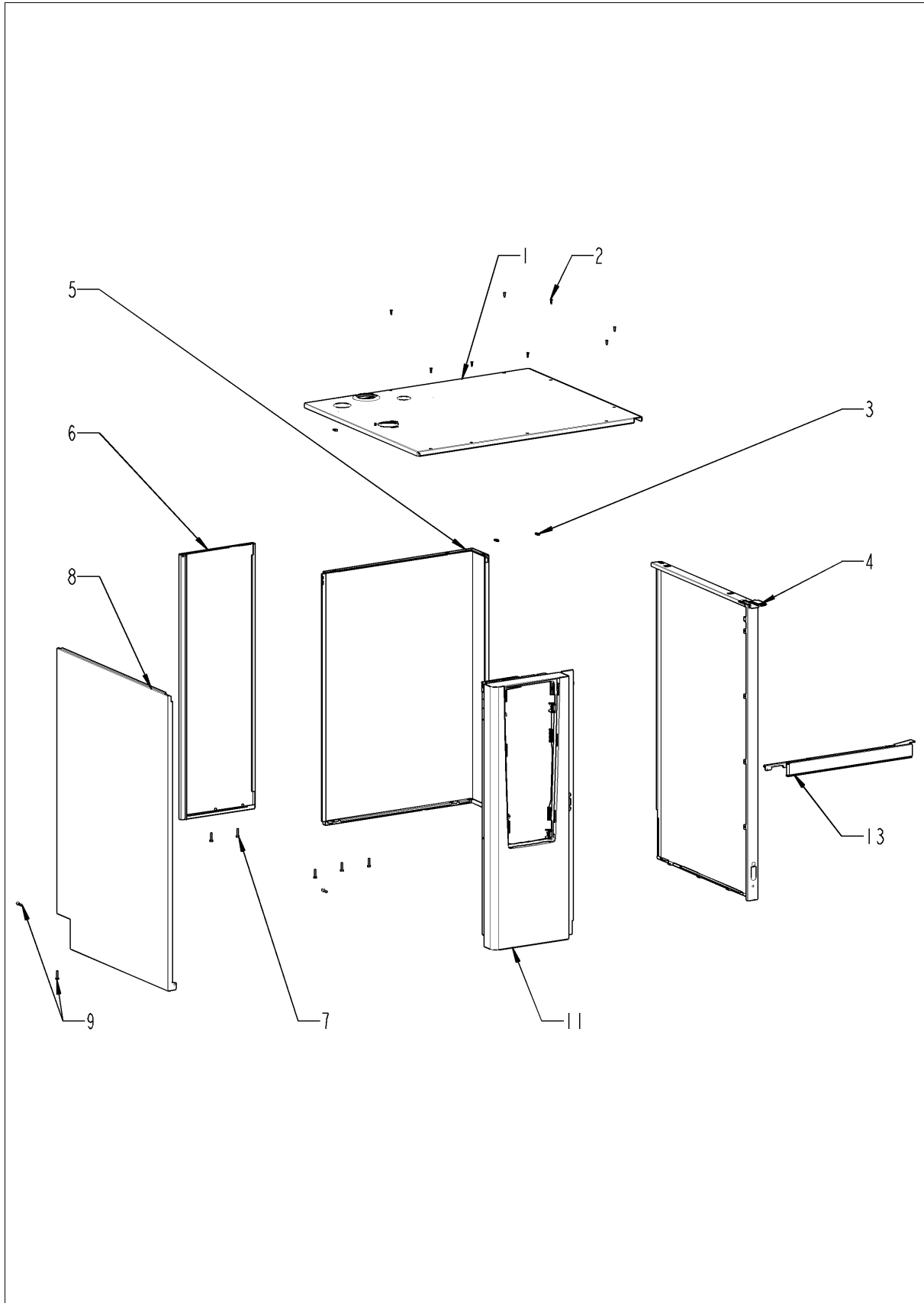
Exterior cabinet



Exterior cabinet

Pos.	Part no.	Description	Qty.
1		Exterior cabinet	1
2	10.01.076P	Cap nut M5*A2	1
3	1205.0120P	Tooth lock washer A5,3	1
4	40.06.664P	Door switch	1
5	14.00.937P	Bracket for door contact switch	1
8	22.01.409P	Vent cover	1
9	16.01.434P	Gasket f. breather tube d=73mm	1
10	56.01.208P	Base panel right	1
11	10.00.989P	Rivet with screw	4
12	56.01.419P	Plastic cap	2
13	56.01.432P	Base panel left	1
14	56.01.422P	Grid cover	1
15	40.05.424P	Air inlet filter cpl.	1
16	56.01.521P	Waste water cover	1
17	10.01.755P	Countersunk screw M5x20 A2	3
18	12.02.664P	Gasket for base frame	1

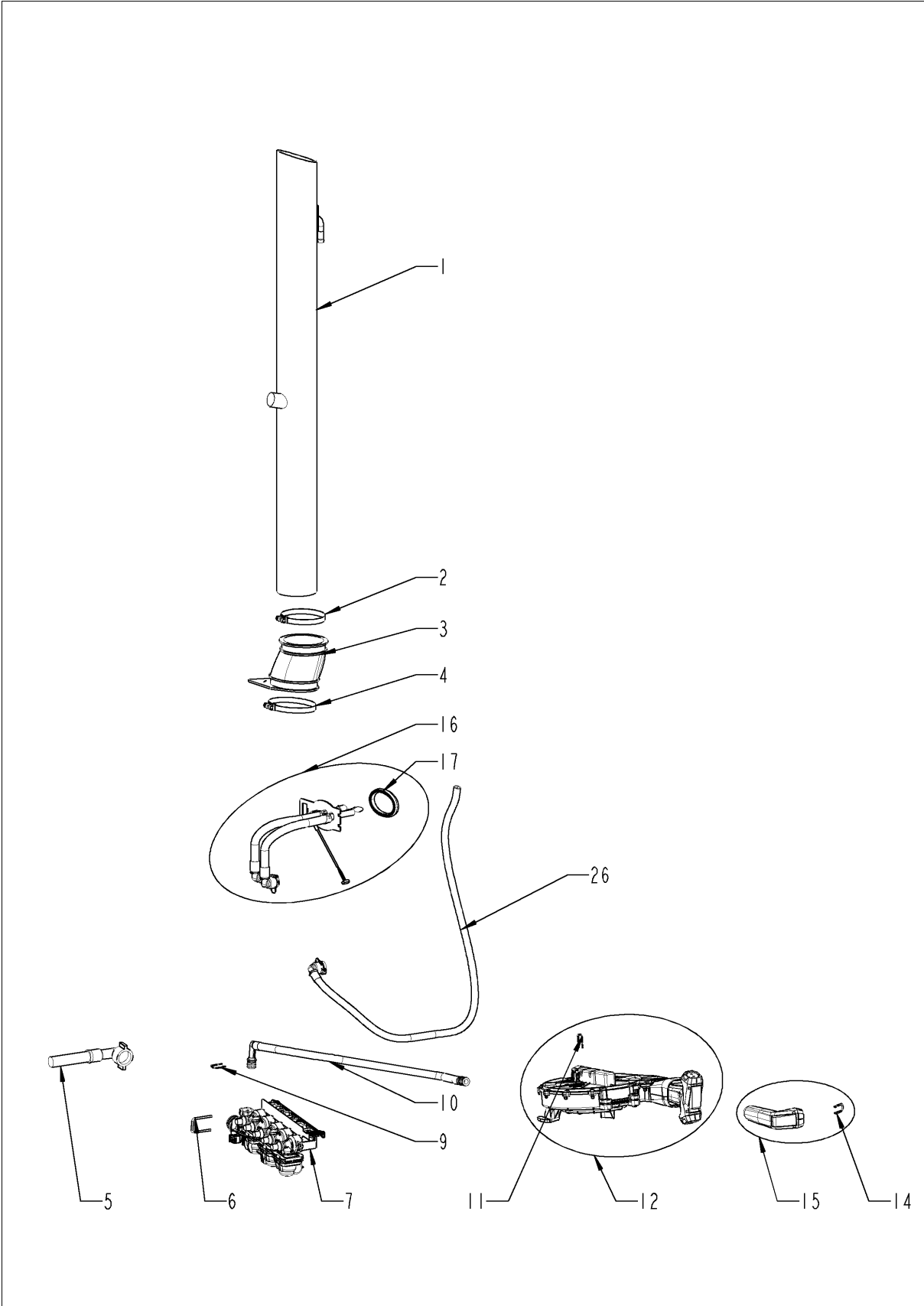
Exterior cabinet



Exterior cabinet

Pos.	Part no.	Description	Qty.
1	16.03.380P	Top cover	1
2	1003.2265P	Countersunk self tapping screw 4,2x16	8
3	1104.0820P	Snap nut 4,2mm	8
4	16.04.077P	Side panel right	1
5	16.04.086P	Back panel, right	1
6	16.03.394P	Back panel, left	1
7	10.01.755P	Countersunk screw M5x20 A2	2
8	16.03.397P	Side panel left	1
9	10.01.755P	Countersunk screw M5x20 A2	2
11	16.03.631P	Front panel	1
13	16.04.091P	Crossbar top	1

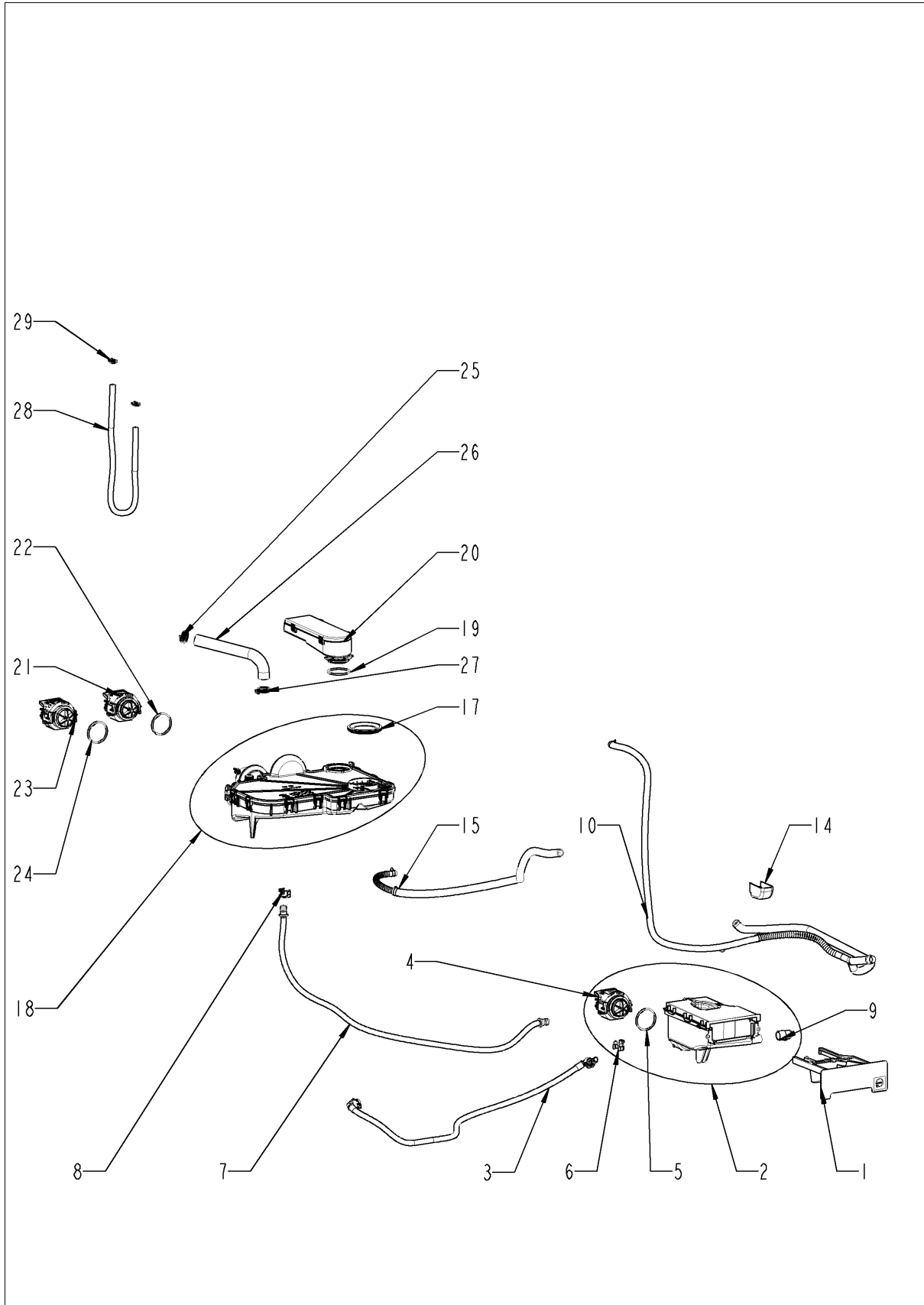
Water



Water

Pos.	Part no.	Description	Qty.
1	54.01.629P	Ventilation pipe	1
2	10.01.262P	Hose clamp 76 mm	1
3	54.01.729S	Rubber form piece venting pipe	1
4	10.01.686P	Hose clamp Ø82mm	1
5	2067.0709P	Hose for water supply 2500mm	1
6	50.02.112P	Locking plate f. water distribution	1
7	50.02.054P	Solenoid valve fivefold	1
9	50.00.085P	Plug-in spring f. hand shower roll guide	1
10	52.00.106S	Connect. hose f. hand shower roll guide	1
11	50.00.085P	Plug-in spring f. hand shower roll guide	1
12	52.00.096P	Hand shower roll guide	1
14	50.00.156P	Clamp f. hand shower roll guide	1
15	52.00.127S	Hand shower black	1
16	54.01.862S	Inspection lid, B2	1
17	54.01.168P	Gasket f. inspection lid	1
26	50.02.144P	Supply hose for moistening	1

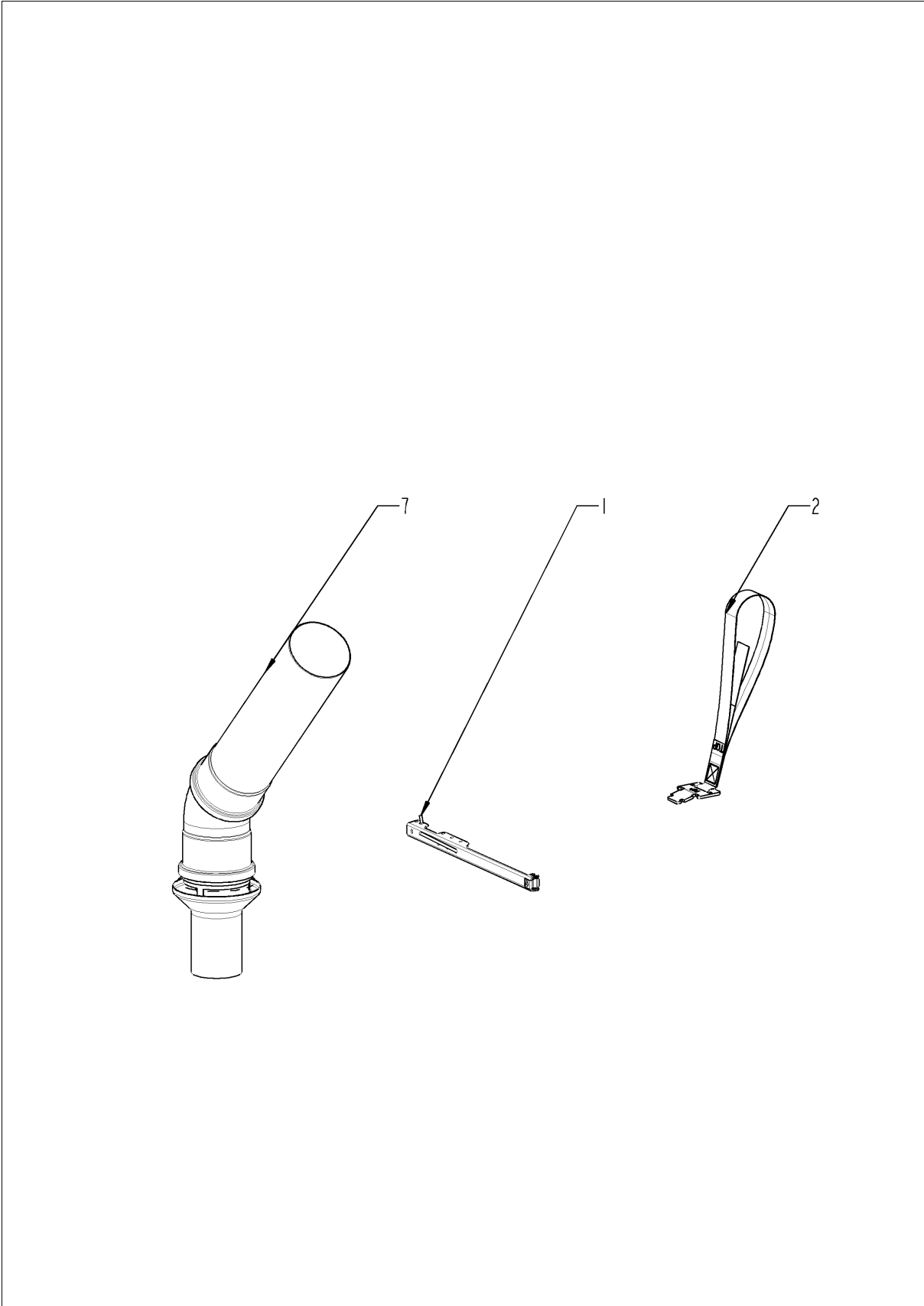
CleanJet + Care



CleanJet + Care

Pos.	Part no.	Description	Qty.
1	56.00.952P	Drawer Care container	1
2	56.01.466P	Care container with pump	1
3	50.02.131P	Supply hose for "Care box"	1
4	56.01.028P	Pump f. CareControl	1
5	56.01.631P	O-ring for pump	1
6	10.01.703P	Locking ring 16 mm	1
7	56.01.506S	Care hose	1
8	10.01.703P	Locking ring 16 mm	1
9	56.00.752P	Hose fitting EPDM-70ShA	1
10	56.01.518P	Drain hose set, humidity control, unit drip collector	1
14	56.01.245P	Cap for door mounting support bottom	1
15	56.01.449S	Drain hose	1
16	10.00.982P	Hose clamp D=18.2	1
17	56.01.461P	Gasket DN60	1
18	56.01.486P	Cleaning box	1
19	56.01.481P	O Ring emergency overflow	1
20	56.01.454S	Emergency overflow cleaning box	1
21	56.01.017P	Waste water pump Cleaning box	1
22	56.01.631P	O-ring for pump	1
23	56.01.020P	Pump f. cleaning	1
24	56.01.631P	O-ring for pump	1
25	2066.0521P	Hose clamp 27mm	1
26	56.01.677P	CleanJet hose	1
27	2066.0521P	Hose clamp 27mm	1
28	56.01.627S	Silicone hose with hose clamps	1
29	10.01.994P	Hose clamp 15.88 mm	2

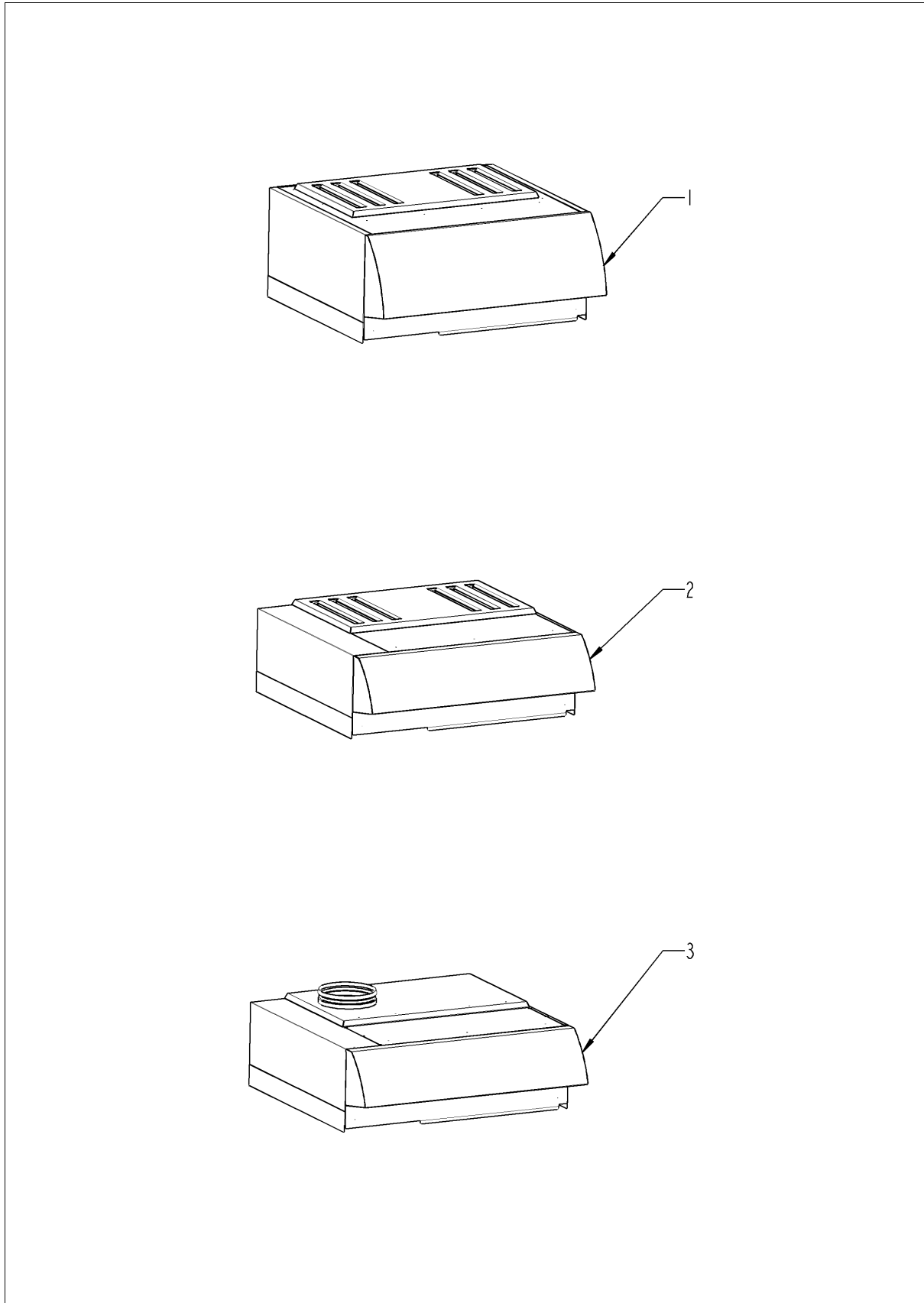
Standard accessory



Standard accessory

Pos.	Part no.	Description	Qty.
1	60.71.022P	Positioning support f. core sensor	1
2	91.01.135P	Carrying strap	1
7	60.72.591	Condensation breaker	1
8		Exhaust hood	1

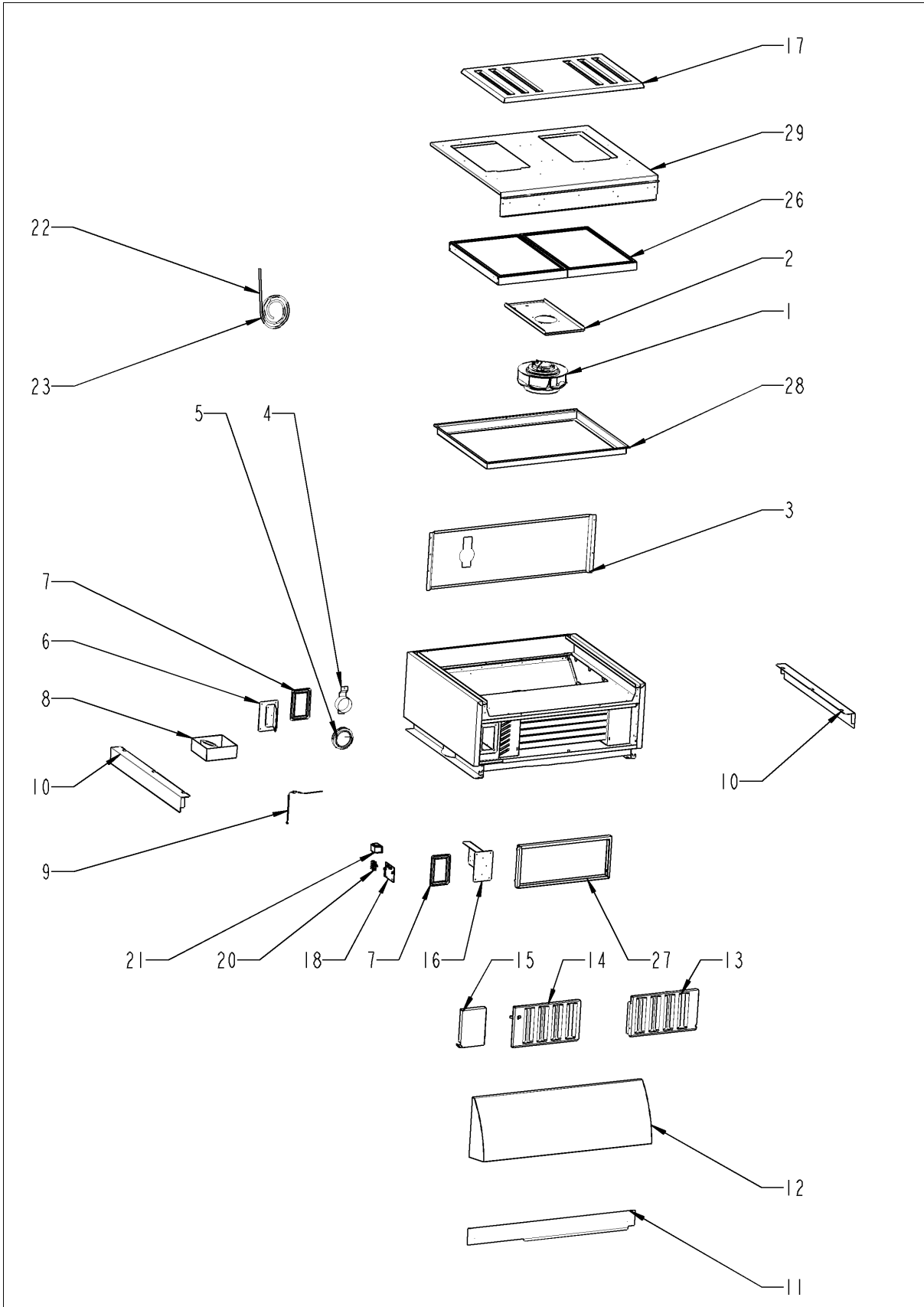
Exhaust hood



Exhaust hood

Pos.	Part no.	Description	Qty.
1		UltraVent Plus	1
2		UltraVent	1
3		Extractor hood	1

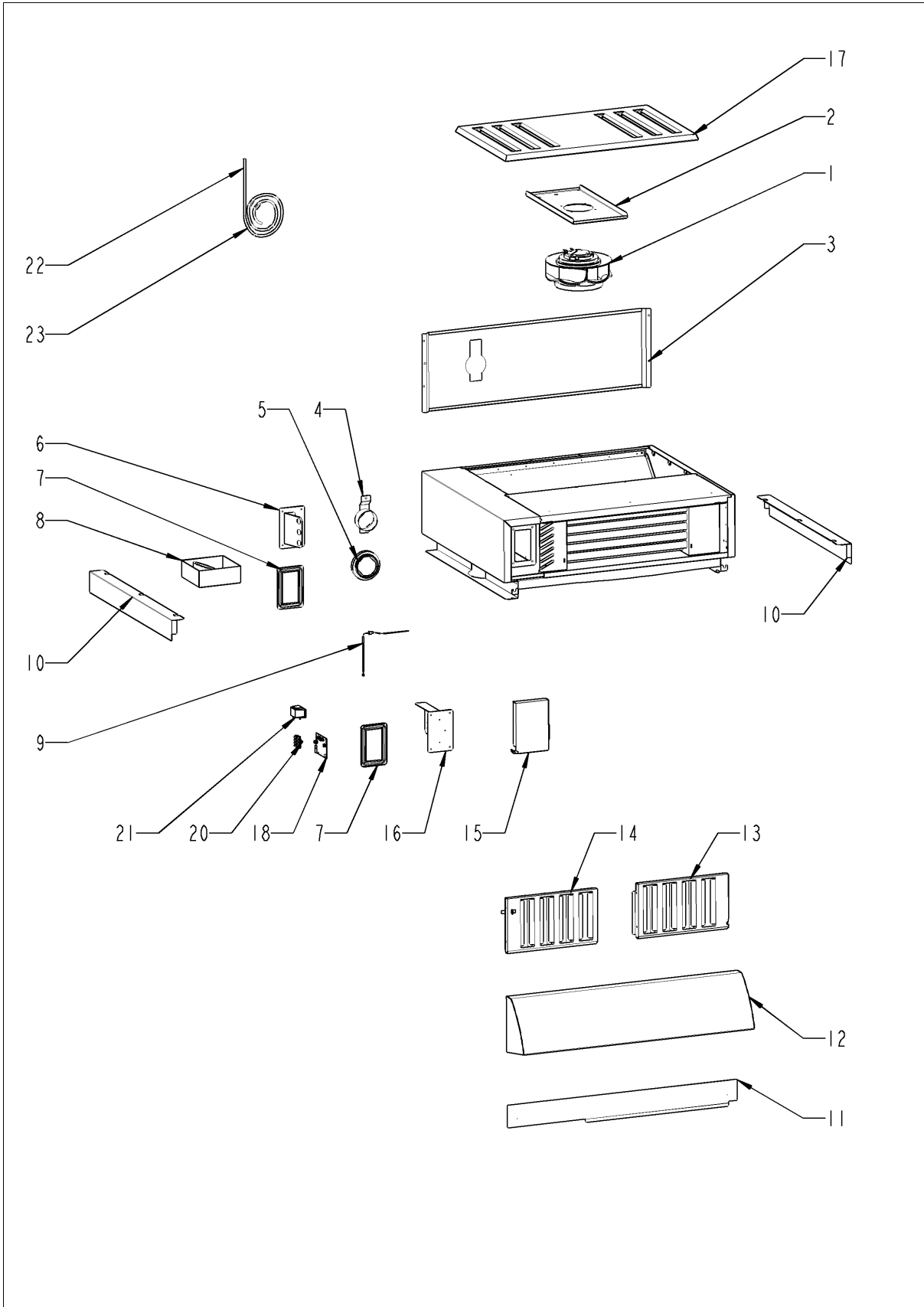
UltraVent Plus



UltraVent Plus

Pos.	Part no.	Description	Qty.
1	60.74.890S	Blower motor for Ultravent	1
1	60.74.889S	Blower motor for Ultravent	1
2	60.75.179S	Motor mounting plate	1
3	60.75.216S	Heat protection plate	1
4	60.75.215S	Closure Combi-Duo 70mm	1
5	60.75.156P	Gasket 70mm	1
6	60.75.171S	Electrical box cover back	1
7	60.75.212P	Electrical box seal	1
8	60.75.160P	Condensate collector 70mm	1
9	40.05.995P	Thermocouple	1
10	60.75.170P	side panels	1
11	60.75.173S	Front panel	1
12	60.75.198S	Front hood	1
13	60.75.183P	Baffle plate filter right	1
14	60.75.200P	Baffle plate filter left	1
15	60.75.209P	Electrical box cover	1
16	60.75.175S	Electric box cover front	1
17	60.75.205S	IPX5 Coverage	1
18	42.00.308S	Control pcb	1
19	60.76.574P	spacer CPU	1
20	60.76.447S	Connection terminal	1
21	60.76.448S	power chokes	1
21	60.76.449P	Capacitors	1
22	40.06.597P	Bus cable	1
24	87.01.781S	Thermocouple	1
26	60.75.210P	HEPA filtert two-pack	1
27	60.75.213P	Prefilter metal mesh	1
28	60.76.528S	Pressure frame HEPA filtert	1
29	60.76.527S	filter cassette clp.	1
30	42.00.309S	Adapter pcb f. UVP	1
31	60.75.211P	Hose set Filter detection	1

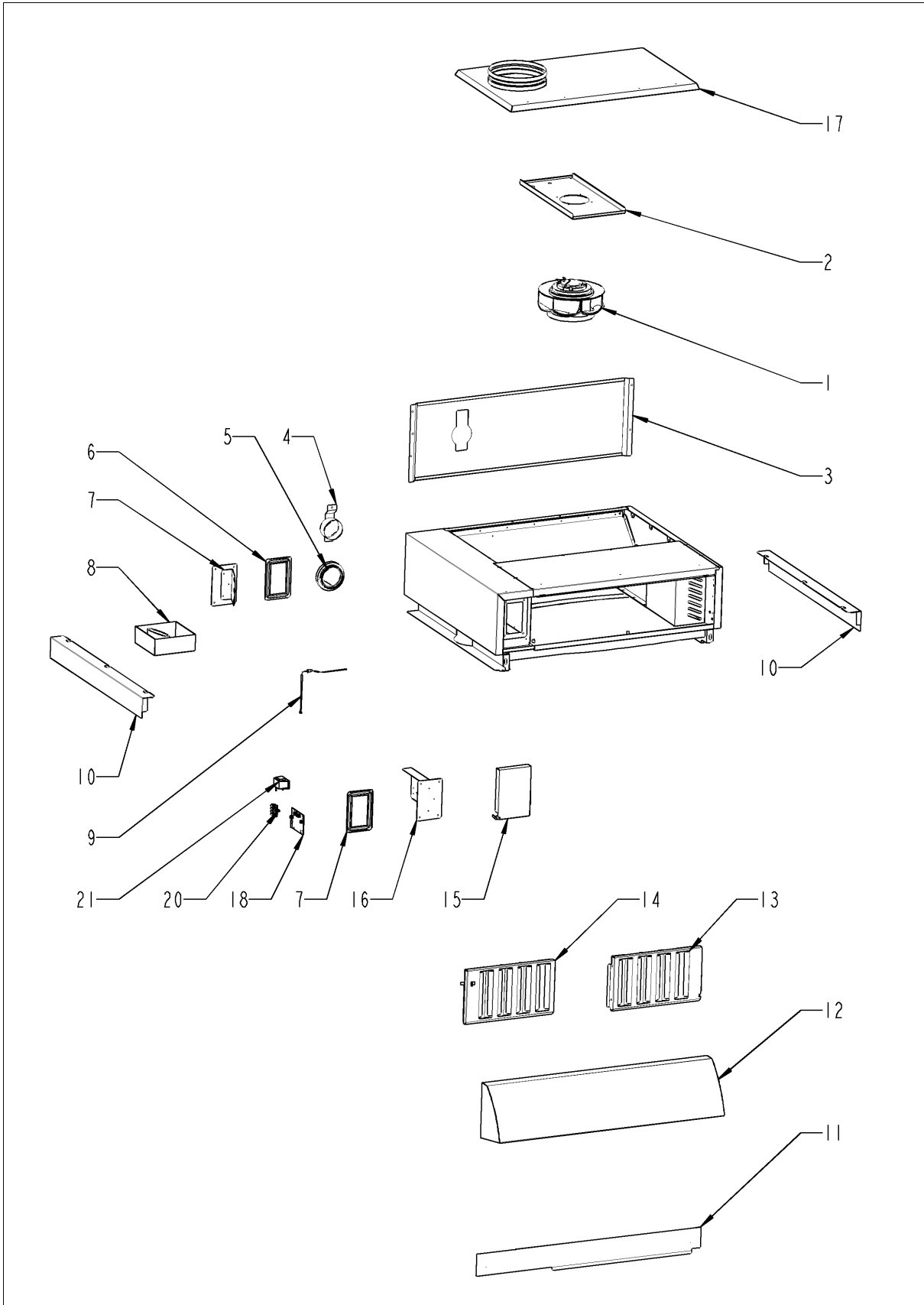
UltraVent



UltraVent

Pos.	Part no.	Description	Qty.
1	60.74.890S	Blower motor for Ultravent	1
1	60.74.889S	Blower motor for Ultravent	1
2	60.75.179S	Motor mounting plate	1
3	60.75.216S	Heat protection plate	1
4	60.75.215S	Closure Combi-Duo 70mm	1
5	60.75.156P	Gasket 70mm	1
6	60.75.171S	Electrical box cover back	1
7	60.75.212P	Electrical box seal	1
8	60.75.160P	Condensate collector 70mm	1
9	40.05.995P	Thermocouple	1
10	60.75.170P	side panels	1
11	60.75.173S	Front panel	1
12	60.75.194S	Front hood	1
13	60.75.183P	Baffle plate filter right	1
14	60.75.200P	Baffle plate filter left	1
15	60.75.209P	Electrical box cover	1
16	60.75.175S	Electric box cover front	1
17	60.75.204S	IPX5 Coverage	1
18	42.00.308S	Control pcb	1
19	60.76.574P	spacer CPU	1
20	60.76.447S	Connection terminal	1
21	60.76.448S	power chokes	1
21	60.76.449P	Capacitors	1
22	40.06.597P	Bus cable	1
24	87.01.781S	Thermocouple	1

Extractor hood



Extractor hood

Pos.	Part no.	Description	Qty.
1	60.74.889S	Blower motor for Ultravent	1
1	60.74.890S	Blower motor for Ultravent	1
2	60.75.179S	Motor mounting plate	1
3	60.75.216S	Heat protection plate	1
4	60.75.212P	Electrical box seal	1
5	60.75.156P	Gasket 70mm	1
6	60.75.171S	Electrical box cover back	1
7	60.75.212P	Electrical box seal	1
8	60.75.160P	Condensate collector 70mm	1
9	40.05.995P	Thermocouple	1
10	60.75.170P	side panels	1
11	60.75.173S	Front panel	1
12	60.75.194S	Front hood	1
13	60.75.183P	Baffle plate filter right	1
14	60.75.200P	Baffle plate filter left	1
15	60.75.209P	Electrical box cover	1
16	60.75.175S	Electric box cover front	1
17	60.76.467S	Exhaust air plate	1
18	42.00.308S	Control pcb	1
19	60.76.574P	spacer CPU	1
20	60.76.447S	Connection terminal	1
21	60.76.448S	power chokes	1
21	60.76.449P	Capacitors	1
22	40.06.597P	Bus cable	1
24	87.01.781S	Thermocouple	1

Index

Part no.	Description	Page
24.03.057P	Abrasion protection for glide socket	25
42.00.309S	Adapter pcb f. UVP	39
22.01.340P	Air baffle	21
40.05.424P	Air inlet filter cpl.	11, 27
87.01.553S	Air inlet pipe	13
40.06.565P	Air shaft cpl.	7
16.03.394P	Back panel, left	29
16.04.086P	Back panel, right	29
60.75.200P	Baffle plate filter left	39, 41, 43
60.75.183P	Baffle plate filter right	39, 41, 43
56.01.432P	Base panel left	27
56.01.208P	Base panel right	27
60.74.890S	Blower motor for Ultravent	39, 41, 43
60.74.889S	Blower motor for Ultravent	39, 41, 43
14.00.937P	Bracket for door contact switch	27
40.06.597P	Bus cable	39, 41, 43
40.05.858P	Bus cable 1.08m	7
40.05.895P	Bus cable 1.16m	7
40.07.146P	Bus cable 1.35m	7
40.00.391S	Cable bushing f. cable entry	7
40.00.320P	Cable connection M20x1.5	7
40.04.495P	Cable connection M25 ø5mm *divisible*	7
40.06.145P	Cable control harness	7
40.06.760P	Cable control pcb - capacitive switch	5
40.06.569P	Cable CPU - TFT	5
87.01.620S	Cable entry	7
40.06.624P	Cable harness base	7
40.06.878P	Cable holder	7
40.06.078P	Cable, interior light W40 *door lighting*	25
56.01.245P	Cap for door mounting support bottom	23, 33
10.01.076P	Cap nut M5*A2	17, 19, 21, 27
60.76.449P	Capacitors	39, 41, 43

Index

Part no.	Description	Page
56.01.466P	Care container with pump	33
56.01.506S	Care hose	33
91.01.135P	Carrying strap	35
50.00.156P	Clamp f. hand shower roll guide	31
10.00.087P	Clamp strap f. sensor	21
56.01.486P	Cleaning box	33
56.01.677P	CleanJet hose	33
60.75.215S	Closure Combi-Duo 70mm	39, 41
2001.0109P	Compression spring	23
60.75.160P	Condensate collector 70mm	39, 41, 43
60.72.591	Condensation breaker	35
52.00.106S	Connect. hose f. hand shower roll guide	31
60.76.447S	Connection terminal	39, 41, 43
40.06.455P	Contacto K3-40B00 190R T AZ	9
87.01.535S	Control panel insert *RAT*	5
42.00.308S	Control pcb	39, 41, 43
42.00.335P	Control pcb without WiFi (w/o SD-Card)	5
40.05.993P	Cooling fan	7
1315.0104P	Copper washer 16x20x1,5	21
10.01.755P	Countersunk screw M5x20 A2	23, 27, 29
1003.2265P	Countersunk self tapping screw 4,2x16	29
24.03.062P	Cover cap for door	25
16.03.735P	Cover f. control pcb w. gasket	5
24.04.598S	Cover for door magnet	25
16.04.110P	Cover for door mounting support	23
16.04.091P	Crossbar top	29
16.03.756P	Dial f. pulse generator	5
24.04.097S	Door	23
24.03.040P	Door bolt	23
24.02.959P	Door catch	23
24.05.382P	Door drip collector	25
20.02.552P	Door gasket	21

Index

Part no.	Description	Page
24.04.083P	Door handle RATIONAL	23
24.03.041P	Door lock with spring U-bolt	23
14.01.056P	Door mounting support bottom	23
24.04.217P	Door setting bolt	25
40.06.664P	Door switch	27
56.01.449S	Drain hose	33
56.01.518P	Drain hose set, humidity control, unit drip collector	13, 33
44.02.221S	Drain hose steam generator	15
44.02.231P	Drain hose steam generator	15
24.05.345P	Drain seal for door drip collector	25
56.00.952P	Drawer Care container	33
40.05.274P	Earth terminal WKFN 16 SL/35	9
60.75.175S	Electric box cover front	39, 41, 43
60.75.209P	Electrical box cover	39, 41, 43
60.75.171S	Electrical box cover back	39, 41, 43
60.75.212P	Electrical box seal	39, 41, 43
40.06.384P	Electrical mounting plate	9
42.00.336P	Electronic noise filter	9
44.02.287P	Emergency drainage hose	15
56.01.454S	Emergency overflow cleaning box	33
56.01.024P	Emptying pump	15
60.76.467S	Exhaust air plate	43
87.01.558S	Fan motor	19
87.01.560S	Fan motor	19
22.01.164S	Fan wheel	19
60.76.527S	filter cassette clp.	39
24.03.787S	Fixing bracket kit for interior glass pane	25
40.03.756P	Fixing clip f. pcb	9
24.04.619P	Fixing device f. magnet with magnet	25
40.06.053P	Fixing device for safety temperature limiter	21
16.03.747P	Fixing display / pcb	5
44.02.752P	Fixing plate steam generator thermostat	15

Index

Part no.	Description	Page
22.01.427P	Flange f. motor shaft gasket	19
60.75.198S	Front hood	39
60.75.194S	Front hood	41, 43
16.03.631P	Front panel	29
60.75.173S	Front panel	39, 41, 43
40.06.767P	Fuse 4A *Typ 5HT 4-R*	9
60.75.156P	Gasket 70mm	39, 41, 43
56.01.461P	Gasket DN60	33
16.01.434P	Gasket f. breather tube d=73mm	27
46.00.284P	Gasket f. heating assembly	17
54.01.168P	Gasket f. inspection lid	31
12.02.664P	Gasket for base frame	27
44.02.200P	Gasket SC pump	15
24.04.897S	Glass pane bundle	25
22.01.425P	Graphit seal for gasket flange	19
56.01.422P	Grid cover	27
44.01.505P	Grommet Ø12x8,2	15
52.00.127S	Hand shower black	31
52.00.096P	Hand shower roll guide	31
60.75.216S	Heat protection plate	39, 41, 43
40.04.211P	Heat sink 3 SSR	7
87.01.681S	Heating assembly with gasket	17
60.75.210P	HEPA filtert two-pack	39
10.01.065P	Hex nut M5	21
10.00.709P	Hex nut M6 w. locking	9, 19
10.01.751P	Hex nut M16 DIN934 A2	21
10.00.109P	Hex screw M5x23	17
10.01.719P	Hex screw M6x12	23
10.00.936P	Hex screw M8x20	19
24.05.303S	Hinge cover	25
24.02.958P	Holding bracket f. door catch	23
16.03.749P	Hook for parking position	5

Index

Part no.	Description	Page
2066.0205P	Hose clamp 8-16x9 mm SW 7mm	15
10.01.994P	Hose clamp 15.88 mm	33
2066.0521P	Hose clamp 27mm	33
2066.0518P	Hose clamp 30mm	15
10.01.262P	Hose clamp 76 mm	31
10.00.982P	Hose clamp D=18.2	33
2066.0527P	Hose clamp ø14mm	13
10.01.686P	Hose clamp Ø82mm	31
56.00.752P	Hose fitting EPDM-70ShA	33
2067.0709P	Hose for water supply 2500mm	31
22.00.525P	Hose set f. humidity control	13
60.75.211P	Hose set Filter detection	39
50.02.117P	Hose, water supply, steam generator	15
22.01.402P	Humidity control cpl.	13
54.01.862S	Inspection lid, B2	31
40.06.409P	Interface cable LAN 1.5m	5, 7
40.06.327P	Interface LAN IPX6	7
40.06.043P	Interface USB	7
24.02.960P	Interlocking tooth screw M5x6	23
40.05.919P	IO-module	9
60.75.205S	IPX5 Coverage	39
60.75.204S	IPX5 Coverage	41
20.02.807P	Isolation for mounting plate for motor	19
87.01.718S	Kit Steam generator insulated	15
87.01.581S	LED bar	25
87.01.582S	LED optics	25
24.04.211P	Lock cover	23
50.02.112P	Locking plate f. water distribution	31
10.01.703P	Locking ring 16 mm	33
10.01.707P	Locking ring 25mm	15
40.06.728P	Loudspeaker K 64 WPTR	11
46.00.285P	Mating flange f. heating assembly	17

Index

Part no.	Description	Page
40.06.372P	Meat probe sensor	21
16.03.748P	Metal cramp f. panel insert	5
42.00.359P	Micro SD card	5
44.02.492S	Molded hose with level electrode	15
42.00.276P	Motor control for fan motor	19
42.00.277P	Motor control for fan motor	19
60.75.179S	Motor mounting plate	39, 41, 43
22.00.985P	Motor shaft gasket D15	19
40.05.435P	Mounting device f. pressure sensor	13
40.05.861P	Mounting device heat sink SSR	7
22.01.423P	Mounting support f. gasket flange	19
40.04.953P	Mounting support for pump pcb	9
40.05.968P	Mounting support power transformer	7
50.02.004P	Nozzle f. moistening	17
56.01.481P	O Ring emergency overflow	33
10.01.694P	O-ring for humidity control	13
56.01.631P	O-ring for pump	33
42.00.287P	Operator pcb *TFT*	5
1008.0768P	Ornamental screw M8x16	23
1008.0769P	Ornamental screw M8x30	7
56.01.491P	Outlet sieve	21
10.01.266P	Pan head screw Torx T20 10,5mm	7
10.01.776P	Pan head screw Torx T20 M4x12	7
56.01.419P	Plastic cap	27
50.02.006P	Plastic pipe PEEK	17
24.05.458P	Plastic spreader rivet	25
50.00.085P	Plug-in spring f. hand shower roll guide	31
60.71.022P	Positioning support f. core sensor	35
60.76.448S	power chokes	39, 41, 43
40.06.741P	Power supply cable 4x16 mm ² 3m	7
60.75.213P	Prefilter metal mesh	39
60.76.528S	Pressure frame HEPA filtert	39

Index

Part no.	Description	Page
3017.1011P	Pressure sensor Huba 401	13
40.06.037P	Pulse generator	5
56.01.028P	Pump f. CareControl	33
56.01.020P	Pump f. cleaning	33
40.06.625P	Pump harness	7
44.02.179S	Pump housing	15
42.00.273P	Pump pcb	9
10.00.515P	Rivet 3,2x6.8 A2/NSF	21
1604.0161P	Rivet 4x6 CNS	25
10.00.904P	Rivet B4x8	25
10.00.989P	Rivet with screw	7, 9, 25, 27
54.01.729S	Rubber form piece venting pipe	31
87.01.547S	Safety device / water supply for steam generator	15
40.06.683P	Safety temperature limiter	21
40.06.098P	Screen for safety temperature limiter	21
40.05.489P	Screen interior cabinet sensor	21
16.04.062P	Sealing block	5
16.03.701P	Sealing block LAN	5
16.03.342P	Sealing f. panel insert	5
42.00.346P	Sensor on / off	5
16.03.397P	Side panel left	29
16.04.077P	Side panel right	29
60.75.170P	side panels	39, 41, 43
56.01.627S	Silicone hose with hose clamps	33
24.03.056P	Slide bush for door	25
1104.0820P	Snap nut 4,2mm	29
50.02.054P	Solenoid valve fivefold	31
40.00.453P	Solid state relais	7
60.76.574P	spacer CPU	39, 41, 43
24.03.764P	Spacer for door	25
50.02.131P	Supply hose for "Care box"	33
50.02.144P	Supply hose for moistening	31

Index

Part no.	Description	Page
44.02.227S	Supply hose safety armature	15
40.06.112P	Temperature sensor eSTB	21
40.06.131P	Temperature sensor eSTB 240mm.....	15
40.05.995P	Thermocouple	39, 41, 43
87.01.781S	Thermocouple	39, 41, 43
40.06.212S	Thermocouple humidity *B4*	21
40.06.224P	Thermocouple interior cabinet B1	21
40.06.227P	Thermocouple steam generator *B5*	15
1205.0120P	Tooth lock washer A5,3	27
16.03.380P	Top cover	29
50.02.005P	Union nut	17
40.06.044P	USB socket with cable.....	5
72.00.491P	V Clamp 50mm left	15
22.01.409P	Vent cover	13, 27
54.01.629P	Ventilation pipe	31
1308.0162P	Washer A8,4.....	19
56.01.521P	Waste water cover.....	27
56.01.017P	Waste water pump Cleaning box	33

