



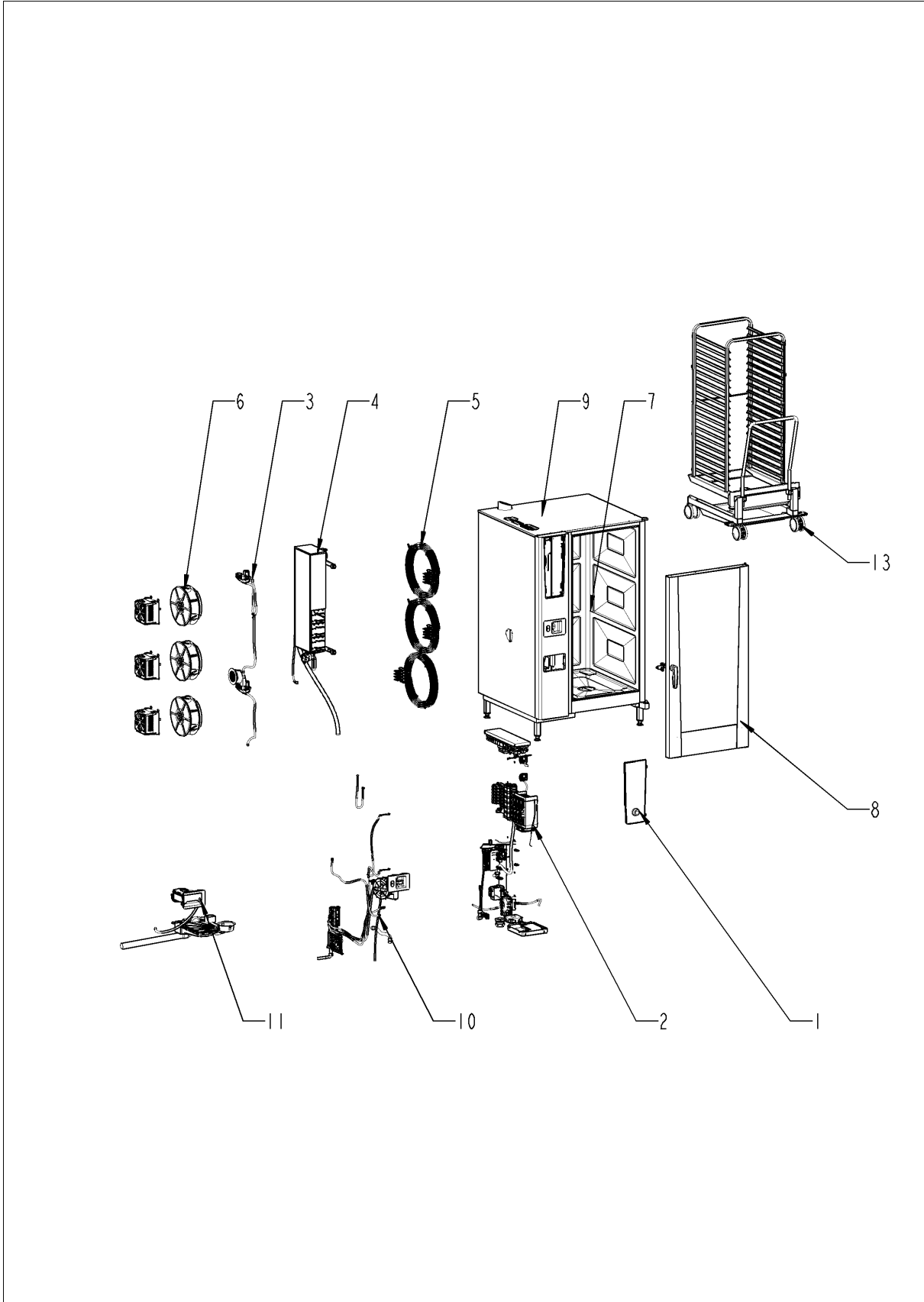
Service part catalogue

iCombi® ab 03/2020 202 - 20 x 2/1 Gastronorm

E22MJ2007



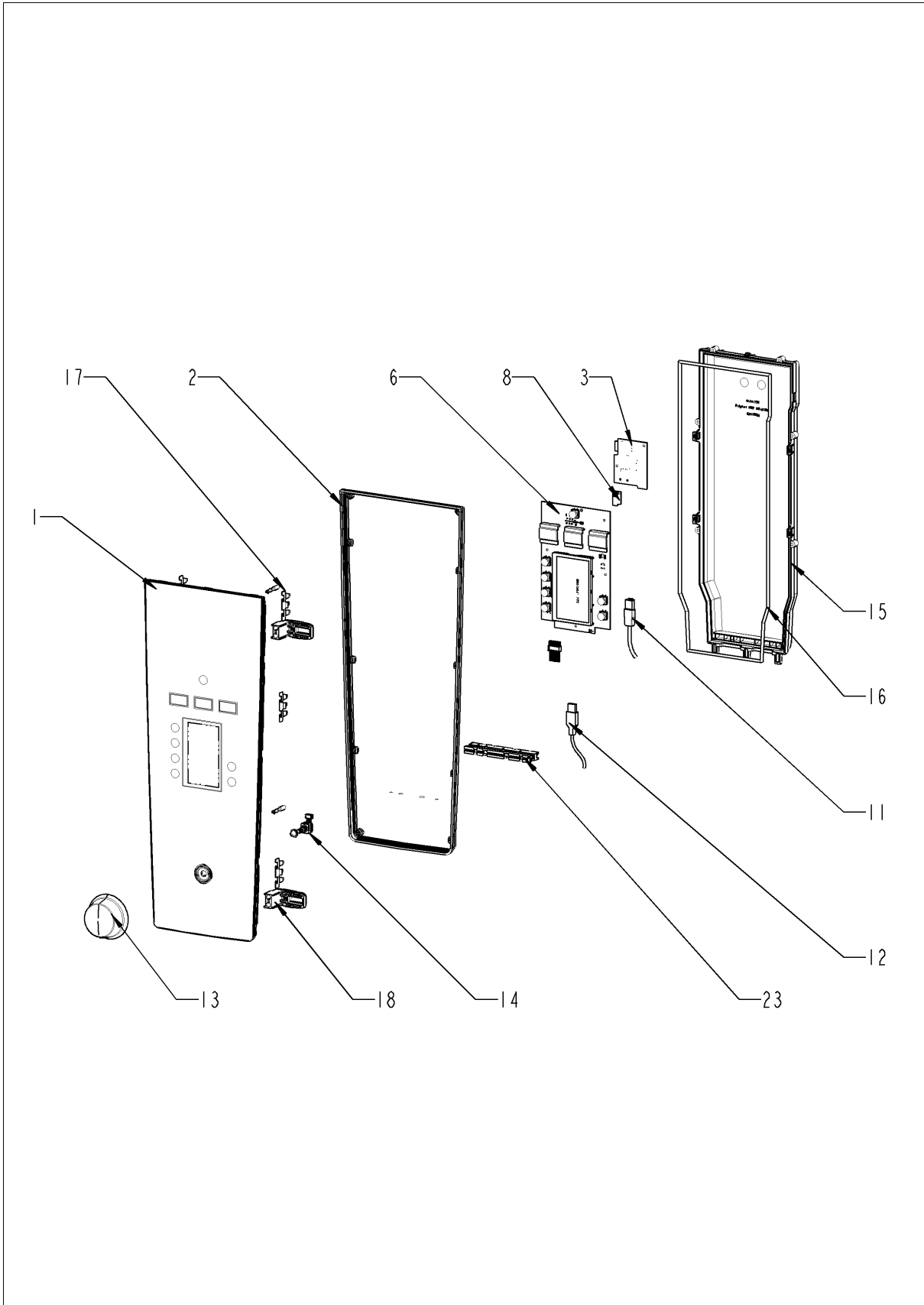
Overview



Overview

Pos.	Assembly	Page
1	Control panel	4
2	Electrical installation	6
3	ClimaPlus	12
4	Steam generator	14
5	Hot air heating	16
6	Motor and fan wheel	18
7	Interior cabinet	20
8	Door	22
9	Exterior cabinet	28
10	Water	32
11	CleanJet + Care	34
13	Standard accessory	36

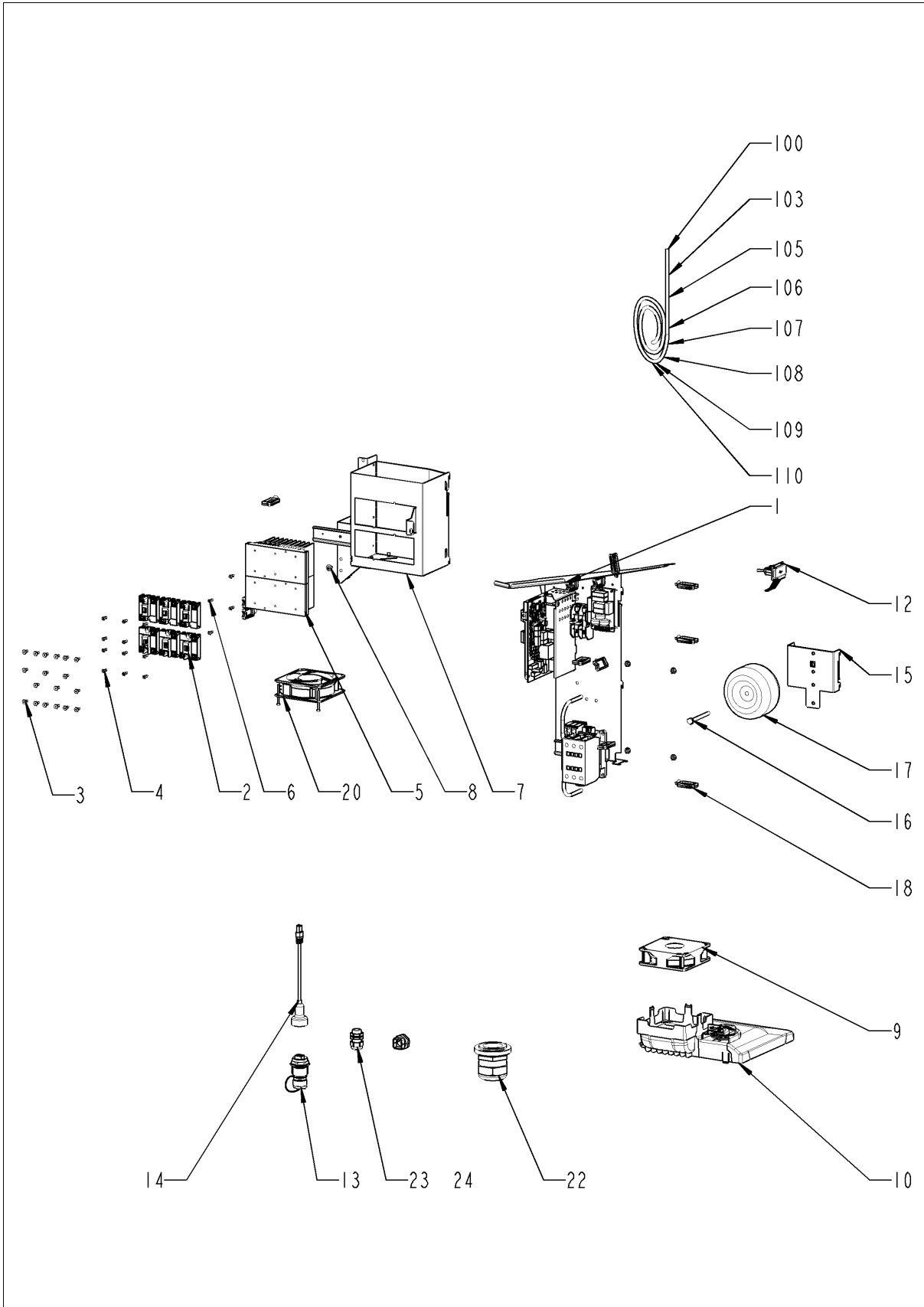
Control panel



Control panel

Pos.	Part no.	Description	Qty.
1	87.01.536S	Front panel with overlay *RAT*	1
2	16.03.342P	Sealing f. panel insert	1
6	42.00.292P	Control pcb (w/o Eeprom)	1
8	42.00.293P	External memory	1
11	40.06.044P	USB socket with cable	1
12	40.06.410P	Interface cable LAN 2m	1
13	16.03.752P	Dial f. pulse generator	1
14	40.06.037P	Pulse generator	1
15	16.03.735P	Cover f. control pcb w. gasket	1
17	16.03.748P	Metal cramp f. panel insert	6
18	16.03.749P	Hook for parking position	2
23	16.04.062P	Sealing block	1
23	16.03.701P	Sealing block LAN	1

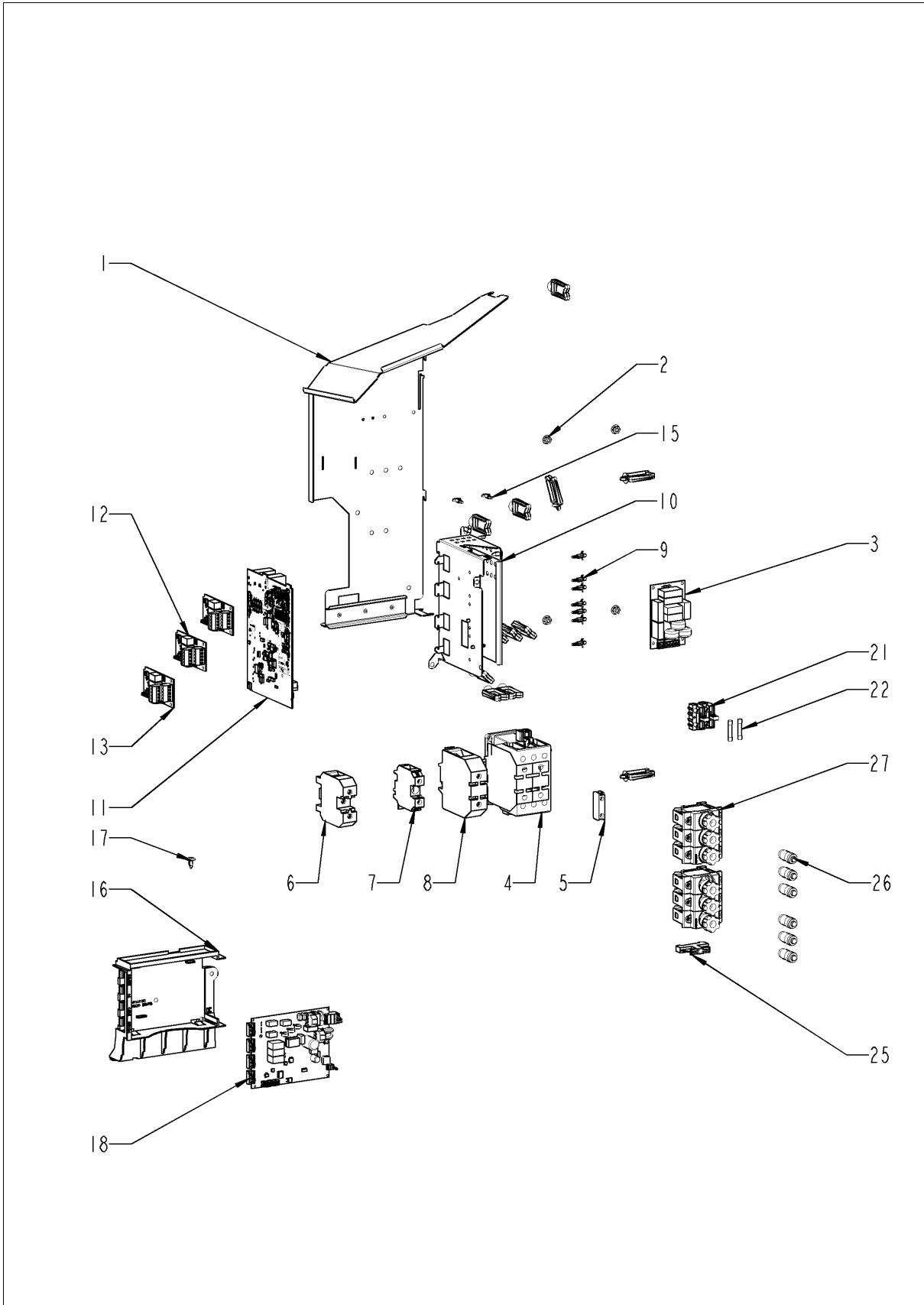
Electrical installation



Electrical installation

Pos.	Part no.	Description	Qty.
1		Electrical installation	1
2	40.00.453P	Solid state relais	6
3	10.01.266P	Pan head screw Torx T20 10,5mm	5
4	10.01.776P	Pan head screw Torx T20 M4x12	12
5	40.04.211P	Heat sink 3 SSR	2
6	10.01.776P	Pan head screw Torx T20 M4x12	4
7	40.05.950P	Mounting device heat sink SSR	1
8	10.00.989P	Rivet with screw	1
9	40.06.355P	Cooling fan	1
10	87.01.619S	Air shaft cpl.	1
12	87.01.741S	Interface USB	1
15	40.06.042S	Mounting support power transformer	1
16	10.01.208P	Hex screw M8x80 A2	1
18	40.06.878P	Cable holder	12
20	40.05.994P	Cooling fan 11938MB	1
22	4007.0632P	Screwed cable gland M63x1.5(34-45mm)si.gr	1
23	40.00.320P	Cable connection M20x1.5	1
24	40.04.495P	Cable connection M25 ø5mm *divisible*	1
100	40.06.061P	Cable control harness	1
103	40.06.167P	Cable contactor-SSR	1
105	40.06.242P	Cable, circulation pump	1
106	40.06.245P	Cable, sewage pump	1
107	40.06.248P	Cable SC pump	1
108	40.06.251P	Cable, Care pump	1
109	40.06.718P	Cable, interior light W57 *door lighting*	1
114	40.07.148P	Bus cable 1.73m	1
115	40.05.858P	Bus cable 1.08m	1
116	40.07.147P	Bus cable 1.96m	1
117	40.05.858P	Bus cable 1.08m	1
118	40.05.858P	Bus cable 1.08m	1

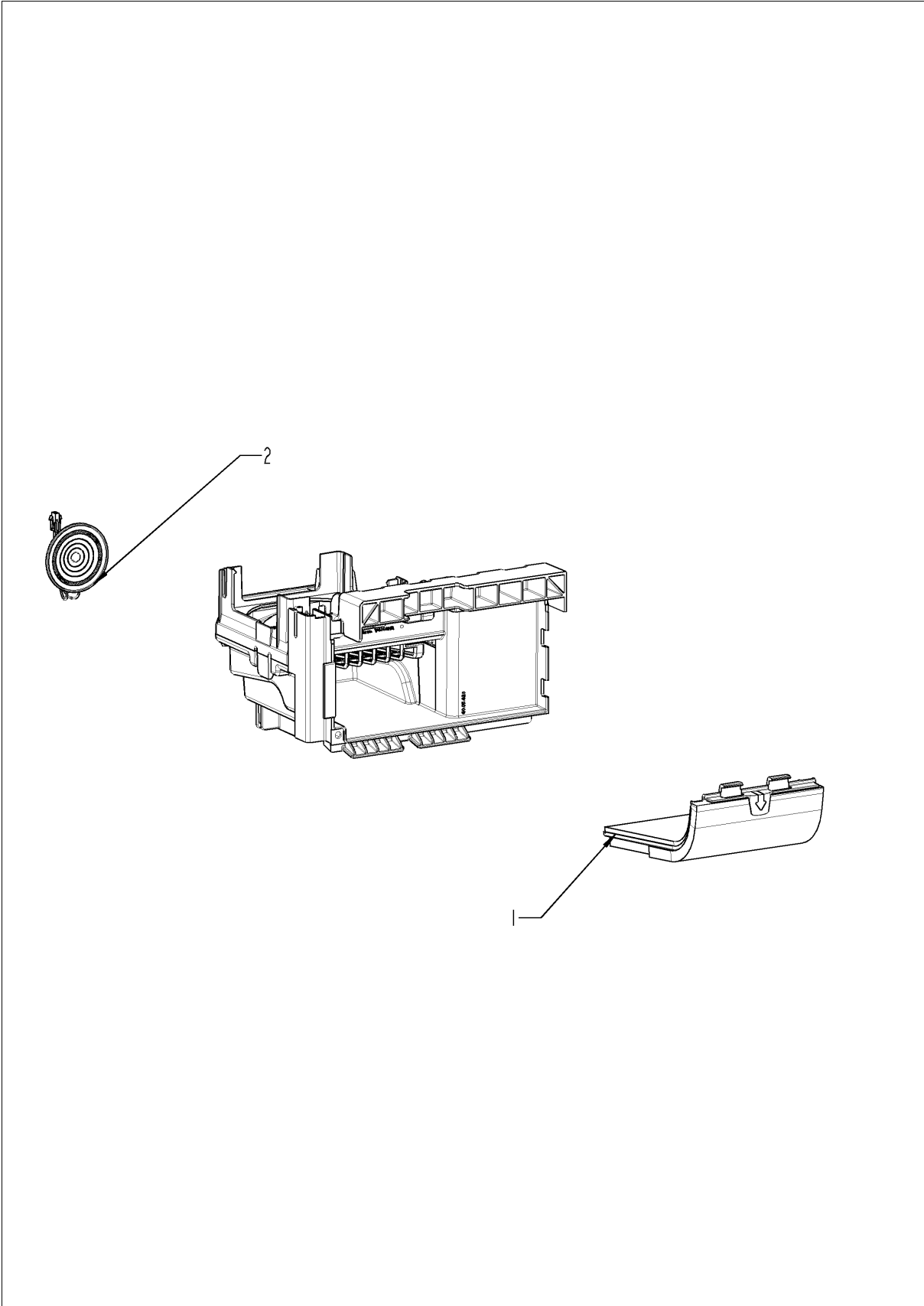
Electrical installation



Electrical installation

Pos.	Part no.	Description	Qty.
1	40.06.389P	Electrical mounting plate	1
2	10.00.709P	Hex nut M6 w. locking	1
3	42.00.336P	Electronic noise filter	1
4	40.06.456P	Contactor B&J K3-74B00 190R T AZ	1
6	40.03.731P	Earth terminal WKN 35SL/U	1
7	40.03.730P	Terminal block blue WKN 35/U	1
9	40.03.756P	Fixing clip f. pcb	1
11	40.05.919P	IO-module	1
14	10.00.989P	Rivet with screw	1
15	40.03.756P	Fixing clip f. pcb	1
16	40.06.116S	Mounting support for pump pcb	1
17	10.00.989P	Rivet with screw	1
18	42.00.273P	Pump pcb	1
28	40.06.767P	Fuse 4A *Typ 5HT 4-R*	1

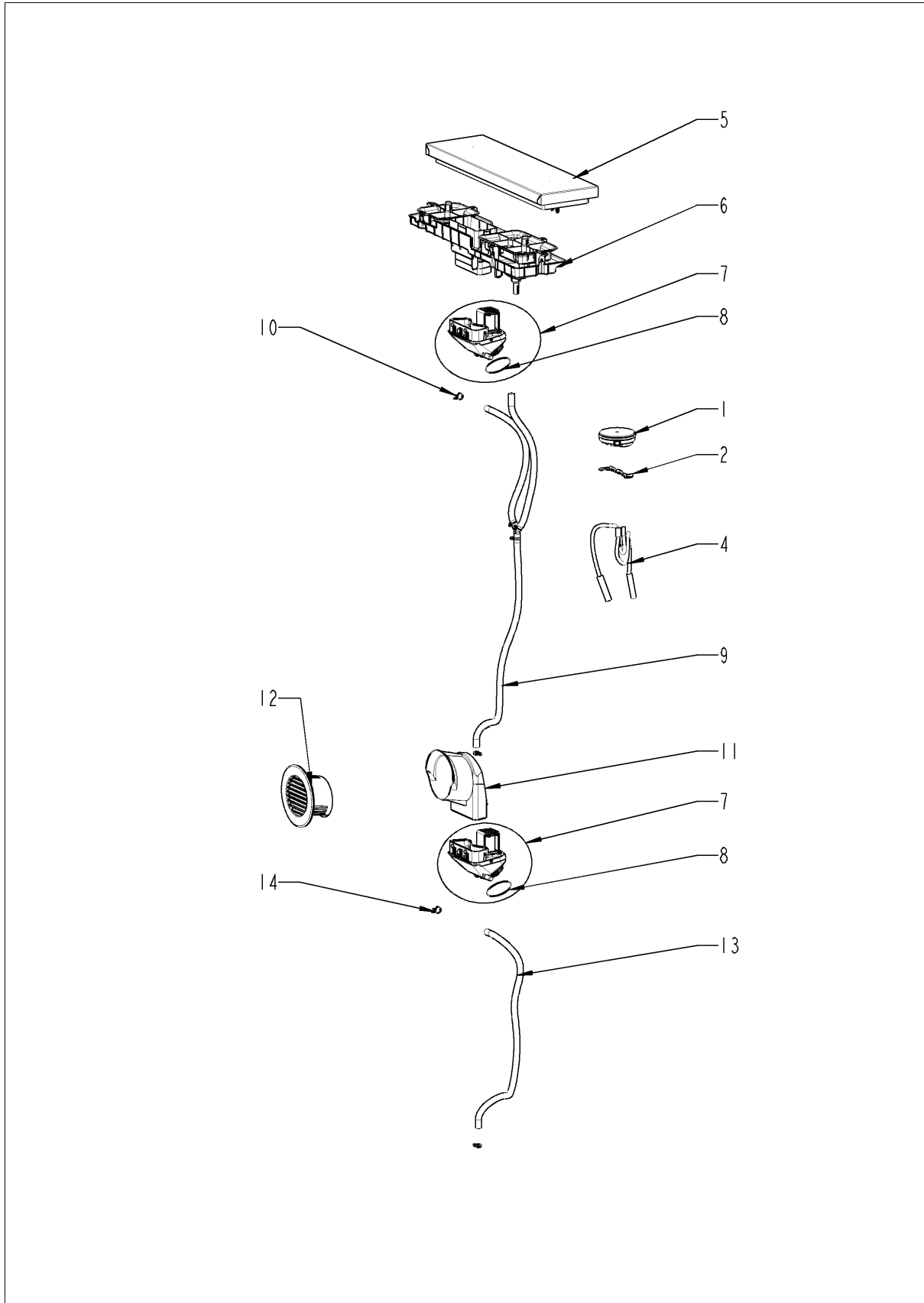
Air shaft cpl.



Air shaft cpl.

Pos.	Part no.	Description	Qty.
1	40.05.654P	Air inlet filter cpl.	1
2	40.06.728P	Loudspeaker K 64 WPTR	1

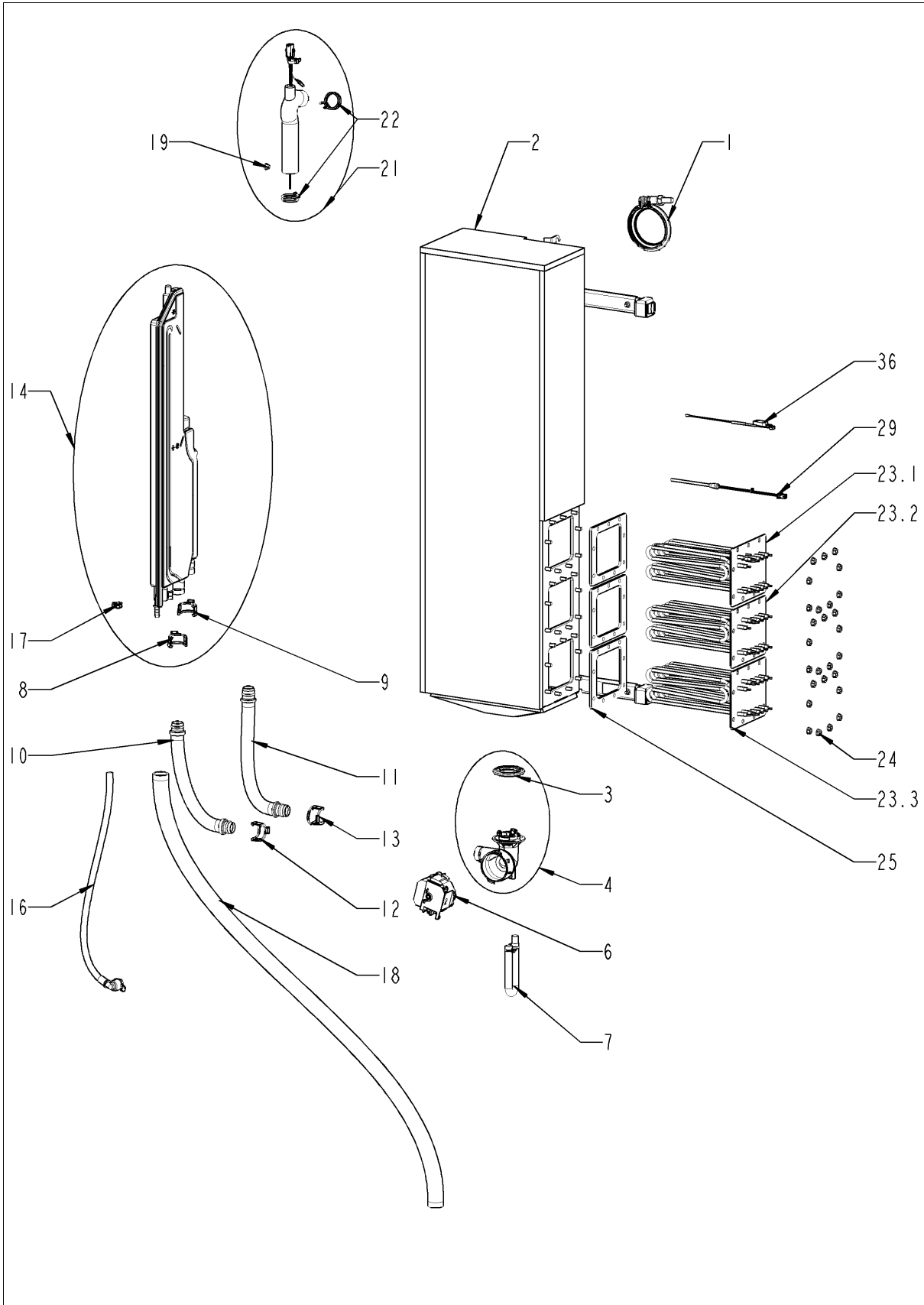
ClimaPlus



ClimaPlus

Pos.	Part no.	Description	Qty.
1	3017.1011P	Pressure sensor Huba 401	1
2	40.05.702P	Mounting device f. pressure sensor	1
4	22.00.525P	Hose set f. humidity control	1
5	40.06.214P	Vent cover	1
6	40.06.570P	Ventilation at top	1
7	22.01.402P	Humidity control cpl.	1
8	10.01.694P	O-ring for humidity control	4
9	22.01.468P	Drain hose for humidity control, top	1
10	2066.0527P	Hose clamp ø14mm	4
11	22.01.385P	Air inlet pipe	1
12	22.01.456P	Vent cover, left	1
13	22.01.402P	Humidity control cpl.	1
14	2066.0527P	Hose clamp ø14mm	2
21	22.01.402P	Humidity control cpl.	1

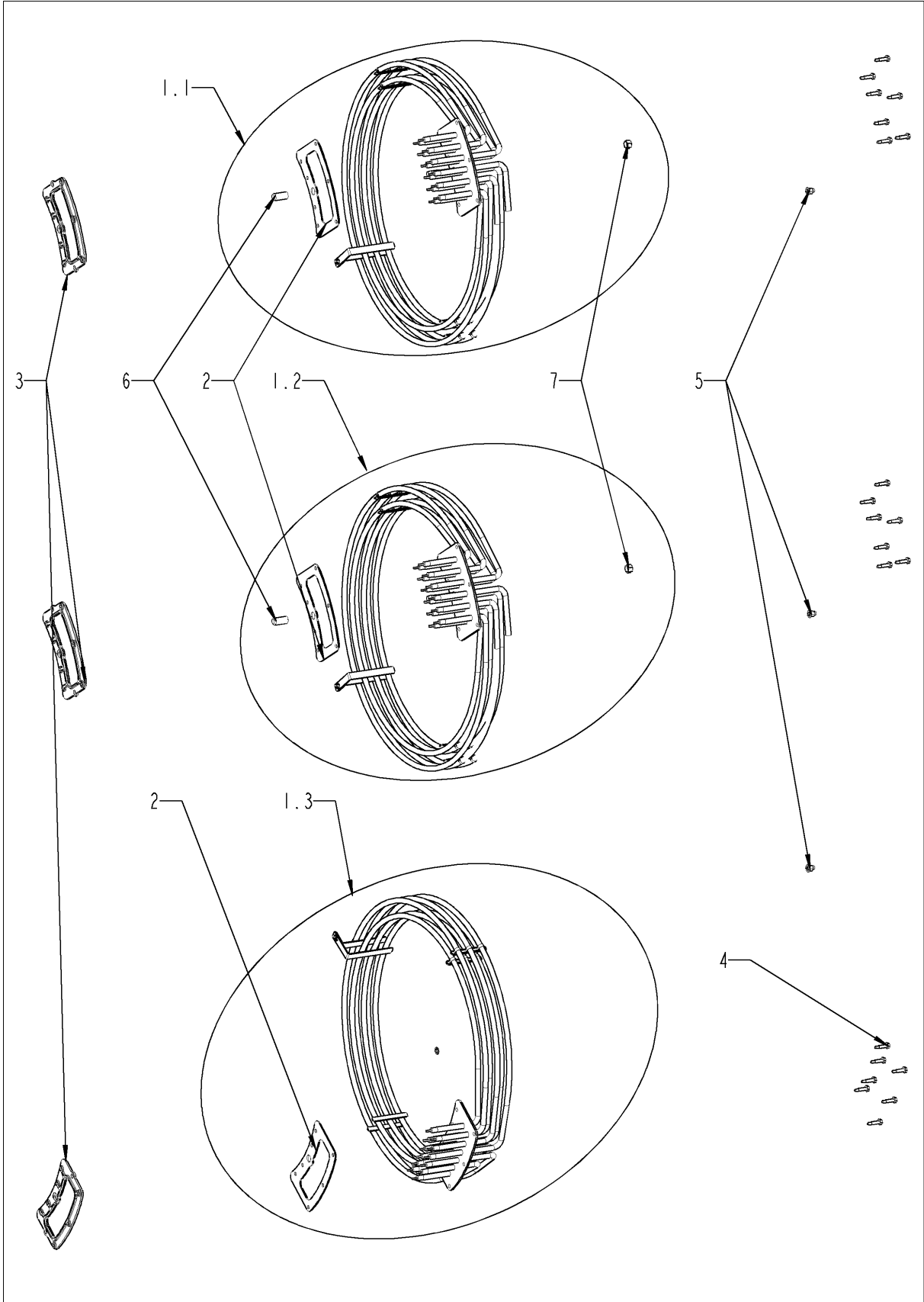
Steam generator



Steam generator

Pos.	Part no.	Description	Qty.
1	72.00.490P	V Clamp 70mm right	1
2	87.01.625S	Kit Steam generator insolated	1
3	44.02.200P	Gasket SC pump	1
4	44.02.179S	Pump housing	1
6	56.01.024P	Emptying pump	1
7	44.02.287P	Emergency drainage hose	1
8	10.01.707P	Locking ring 25mm	1
9	10.01.707P	Locking ring 25mm	1
10	44.02.227S	Supply hose safety armature	1
11	44.02.797S	Drain hose steam generator	1
12	10.01.707P	Locking ring 25mm	1
13	10.01.707P	Locking ring 25mm	1
14	87.01.543S	Safety device / water supply for steam generator	1
16	50.02.121P	Hose, water supply, steam generator	1
17	2066.0205P	Hose clamp 8-16x9 mm SW 7mm	1
18	44.02.232P	Drain hose steam generator	1
19	44.01.505P	Grommet Ø12x8,2	1
21	44.02.495S	Molded hose with level electrode	1
22	2066.0518P	Hose clamp 30mm	2
23.1	44.02.260S	Heating element with gasket	1
23.2	44.02.265S	Heating element with gasket	1
23.3	44.02.265S	Heating element with gasket	1
24	10.00.709P	Hex nut M6 w. locking	1
25	44.02.503P	Gasket f. heating element	1
29	40.06.133P	Temperature sensor eSTB 100mm	1
36	40.06.794P	Thermocouple steam generator *B5*	1

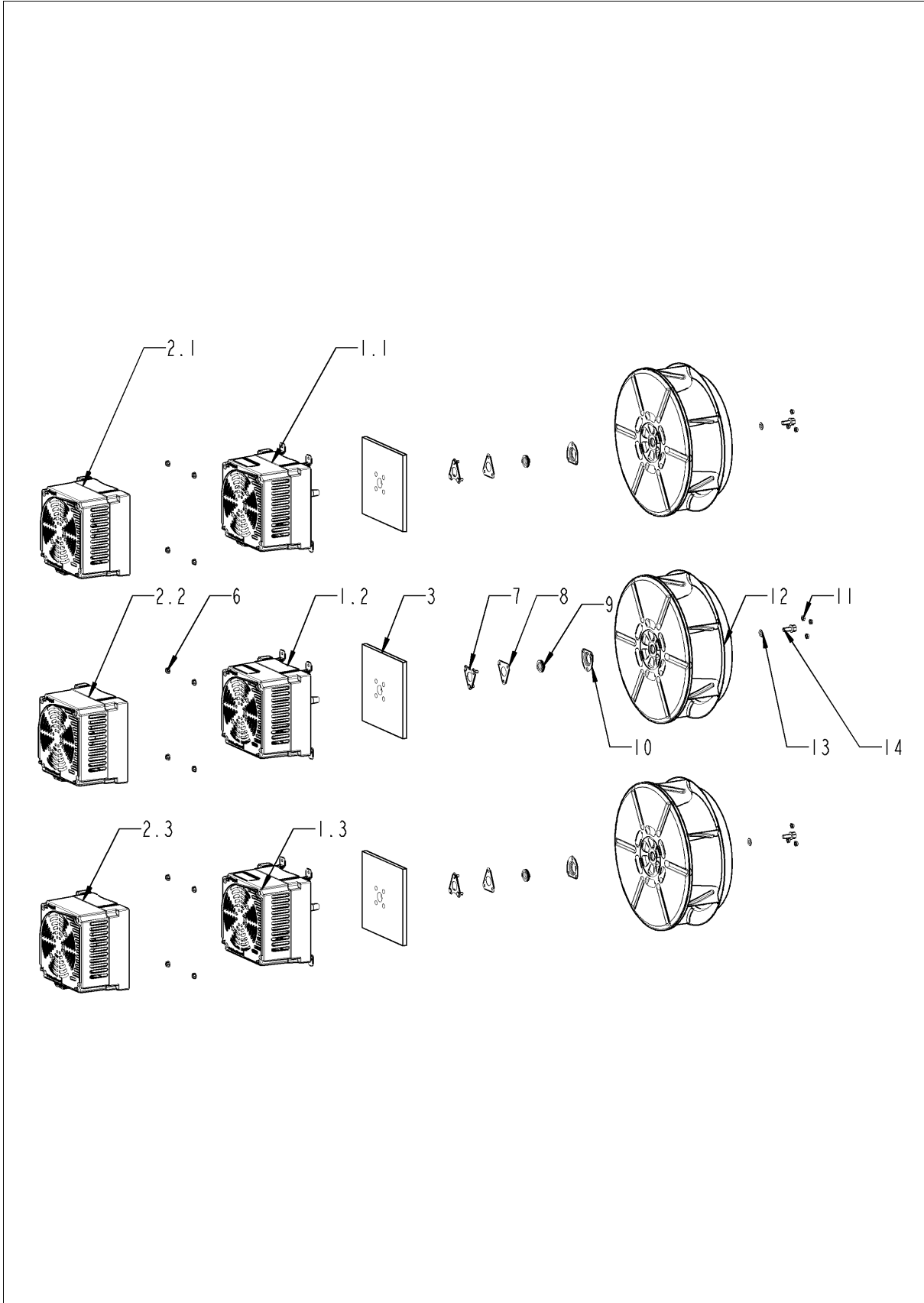
Hot air heating



Hot air heating

Pos.	Part no.	Description	Qty.
1.1	87.01.696S	Heating assembly with gasket	1
1.2	87.01.696S	Heating assembly with gasket	1
1.3	87.01.696S	Heating assembly with gasket	1
2	46.00.289P	Gasket f. heating assembly	3
3	46.00.290P	Mating flange f. heating assembly	3
4	10.00.109P	Hex screw M5x23	21
5	10.01.076P	Cap nut M5*A2	3
6	10.00.991P	Sealing cap	1
7	50.02.309P	Cap nut M10x1	1

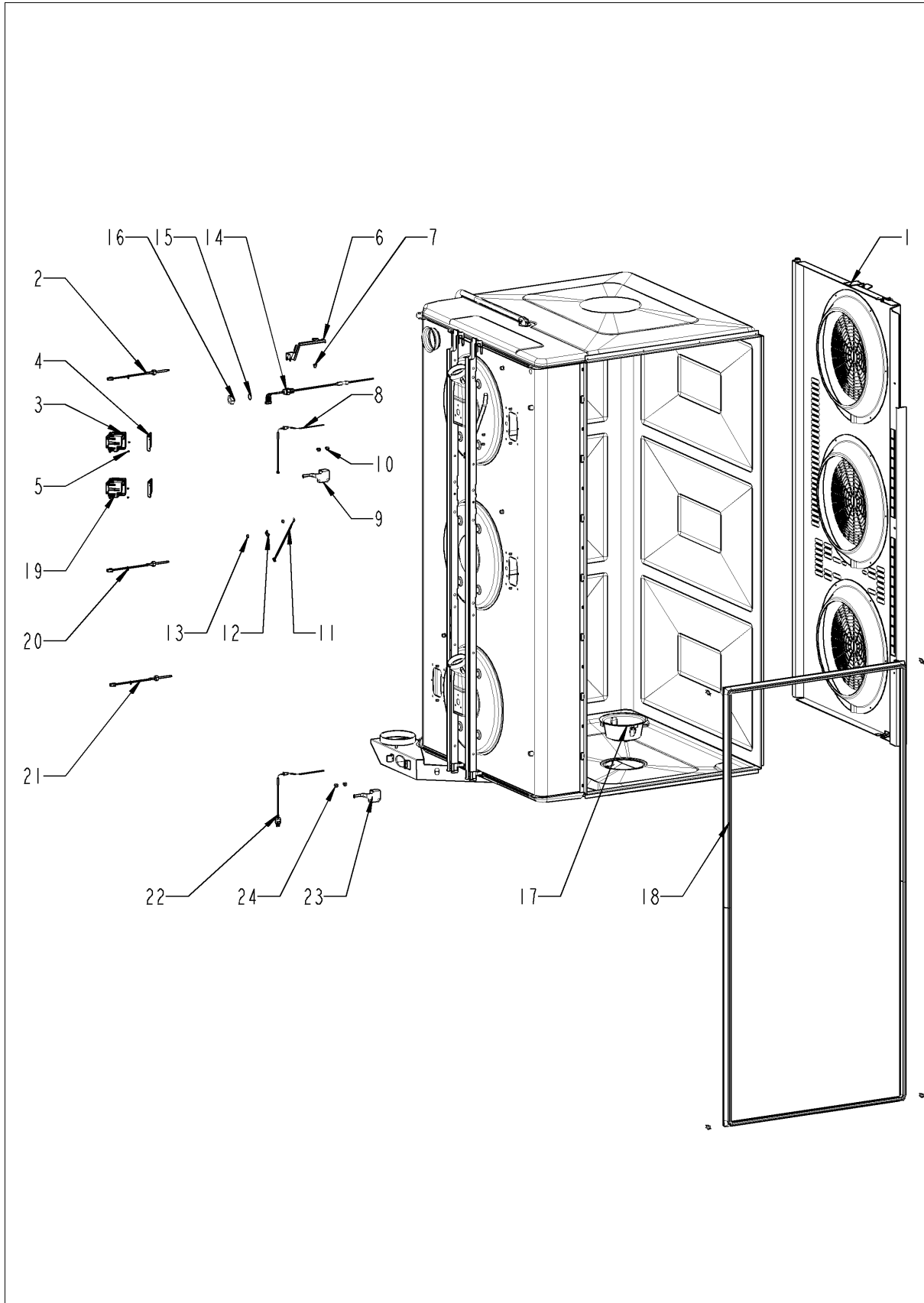
Motor and fan wheel



Motor and fan wheel

Pos.	Part no.	Description	Qty.
1.1	87.01.559S	Fan motor	1
1.2	87.01.559S	Fan motor	1
1.3	87.01.559S	Fan motor	1
2.1	42.00.278P	Motor control for fan motor	1
2.2	42.00.278P	Motor control for fan motor	1
2.3	42.00.278P	Motor control for fan motor	1
3	20.02.807P	Isolation for mounting plate for motor	3
6	10.00.709P	Hex nut M6 w. locking	12
7	22.01.423P	Mounting support f. gasket flange	3
8	22.01.425P	Graphit seal for gasket flange	3
9	22.00.985P	Motor shaft gasket D15	3
10	22.01.427P	Flange f. motor shaft gasket	3
11	10.01.076P	Cap nut M5*A2	9
12	22.01.151S	Fan wheel	3
13	1308.0162P	Washer A8,4	3
14	10.00.936P	Hex screw M8x20	3

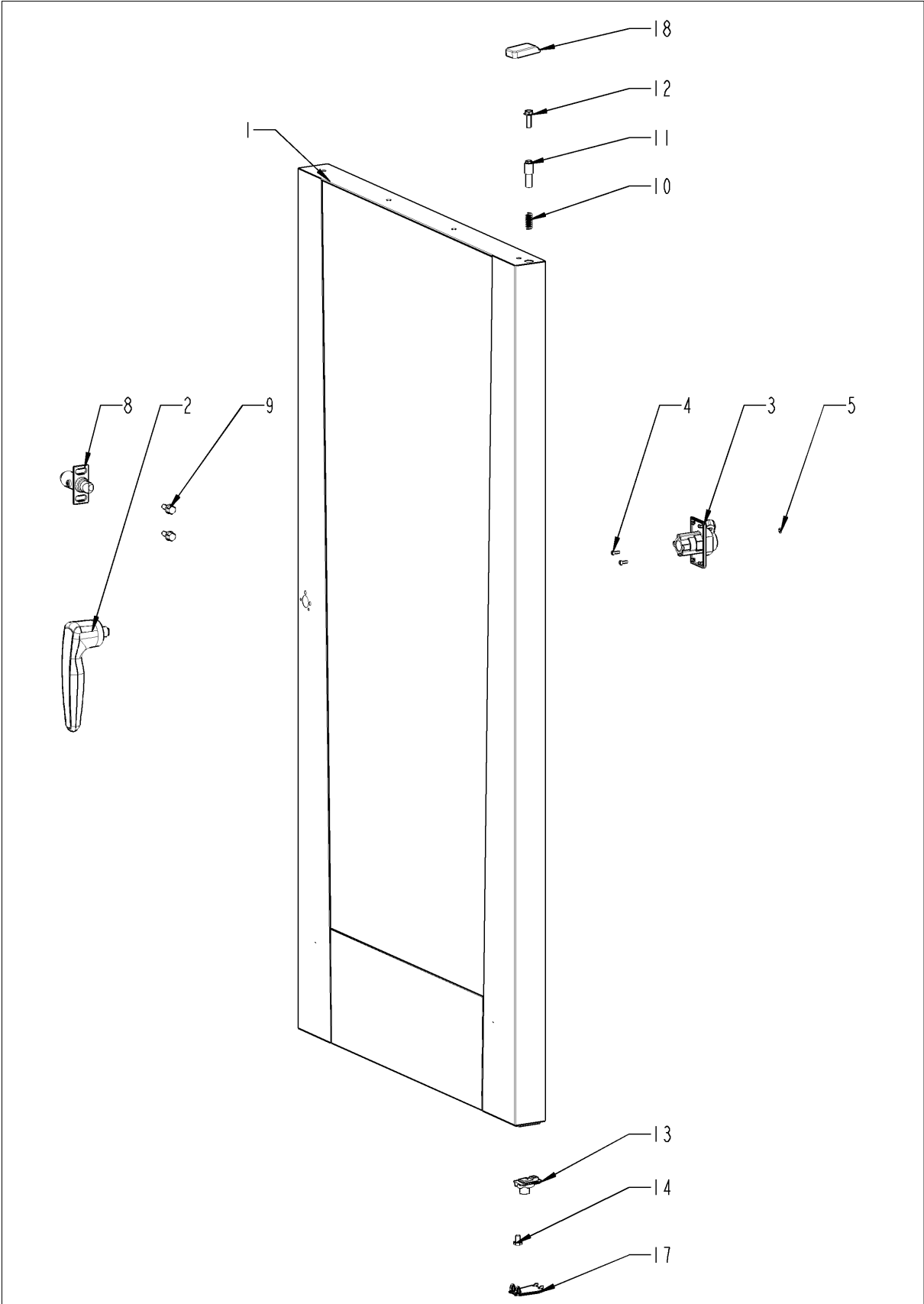
Interior cabinet



Interior cabinet

Pos.	Part no.	Description	Qty.
1	22.01.232P	Air baffle	1
2	40.06.112P	Temperature sensor eSTB	3
3	40.06.683P	Safety temperature limiter	1
4	40.06.053P	Fixing device for safety temperature limiter	2
5	10.00.515P	Rivet 3,2x6.8 A2/NSF	4
6	40.06.098P	Screen for safety temperature limiter	1
7	10.01.076P	Cap nut M5*A2	1
8	40.06.805P	Thermocouple interior cabinet B1	1
9	40.05.489P	Screen interior cabinet sensor	1
10	10.01.076P	Cap nut M5*A2	2
11	40.06.792S	Thermocouple humidity *B4*	1
12	10.00.087P	Clamp strap f. sensor	1
13	10.01.065P	Hex nut M5	1
14	40.06.815P	Meat probe sensor	1
15	1315.0104P	Copper washer 16x20x1,5	1
16	10.01.751P	Hex nut M16 DIN934 A2	1
17	56.01.503P	Outlet sieve	1
18	20.00.399P	Door gasket	1
19	40.06.685P	Safety temperature limiter	1
20	40.06.112P	Temperature sensor eSTB	1
21	40.06.112P	Temperature sensor eSTB	1
22	40.06.891P	Thermocouple interior cabinet B9	1
23	40.05.489P	Screen interior cabinet sensor	1
24	10.01.076P	Cap nut M5*A2	2

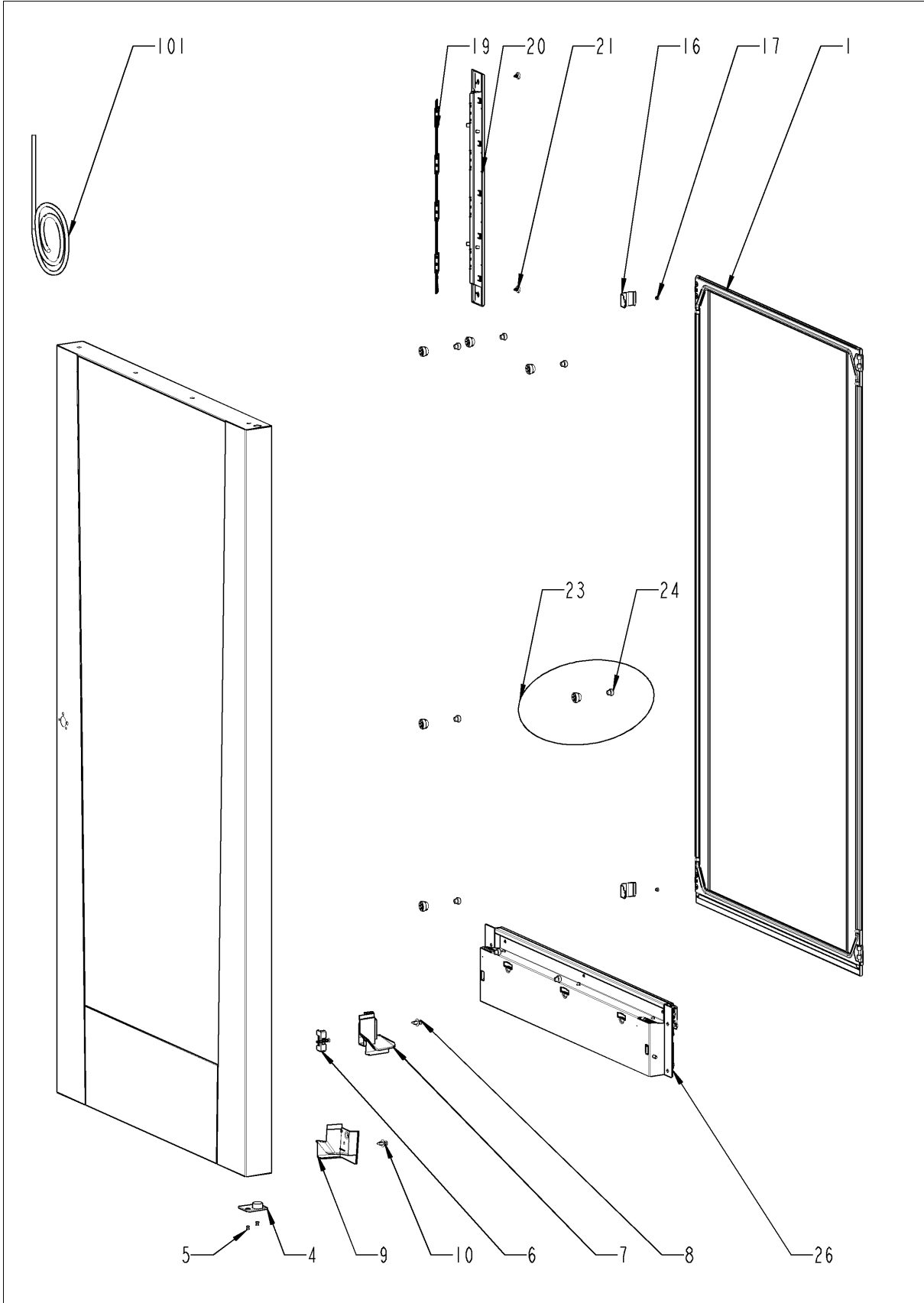
Door



Door

Pos.	Part no.	Description	Qty.
1	24.04.114S	Door	1
2	24.04.081P	Door handle	1
3	24.04.244P	Door lock	1
5	10.00.090P	Cap f. Torx T30	1
8	24.01.351P	Door catch	1
9	10.00.936P	Hex screw M8x20	2
10	2001.0109P	Compression spring	1
11	24.03.040P	Door bolt	1
12	10.01.880P	Ornamental screw M8x25	1
13	24.04.245P	Door bolt	1
14	10.00.099S	Hex screw M8x12	1
17	12.02.605P	Cap for door mounting support bottom	1
18	16.04.110P	Cover for door mounting support	1
21	24.05.002P	Stop spacer	1

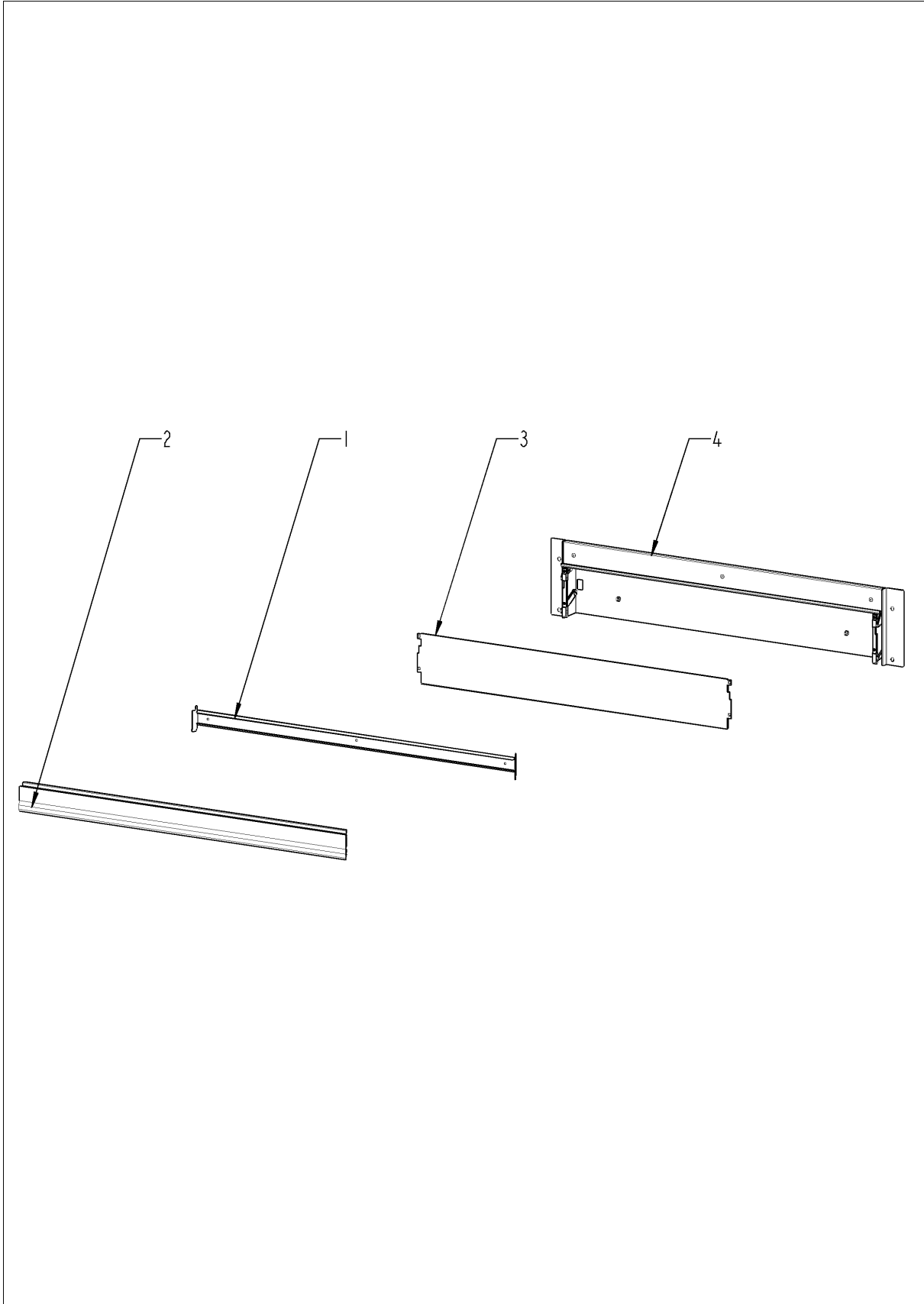
Door



Door

Pos.	Part no.	Description	Qty.
1	24.04.334P	Inner door pane	1
4	24.04.219P	Door setting bolt	1
5	10.00.904P	Rivet B4x8	2
6	24.04.619P	Fixing device f. magnet with magnet	1
7	24.04.213S	Bracket left f. door floor model	1
8	1604.0161P	Rivet 4x6 CNS	1
9	24.04.212S	Bracket right f. door floor model	1
10	10.00.989P	Rivet with screw	1
15	24.03.057P	Abrasion protection for glide socket	1
16	24.03.787S	Fixing bracket kit for interior glass pane	2
17	1604.0161P	Rivet 4x6 CNS	1
19	87.01.579S	LED bar	1
20	87.01.580S	LED optics	1
21	24.05.458P	Plastic spreader rivet	2
23	87.01.438	Spacer kit for glass pane	1
24	24.00.171P	Silicone buffer 7mm for door	4
26	24.04.232S	Pre heat mechanism f. door cpl.	1
101	87.01.596S	Cable, interior light W40 *door lighting*	1

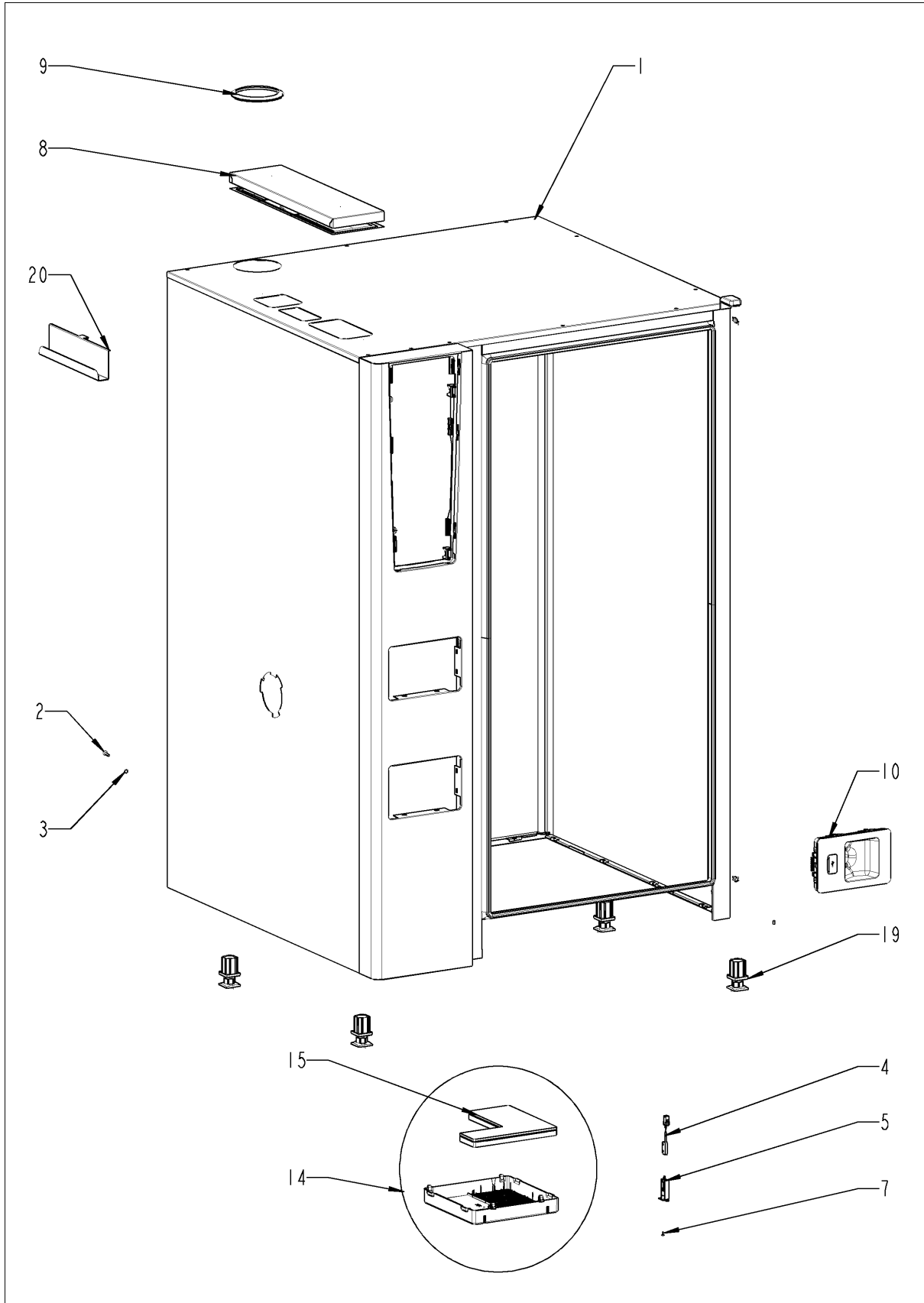
Pre heat mechanism f. door



Pre heat mechanism f. door

Pos.	Part no.	Description	Qty.
1	24.04.469S	Gasket support	1
2	24.05.092P	Gasket glass pane/trolley	1
3	24.04.677S	Pre heat sheet f. door	1
4	87.01.635S	Flap mechanism	1

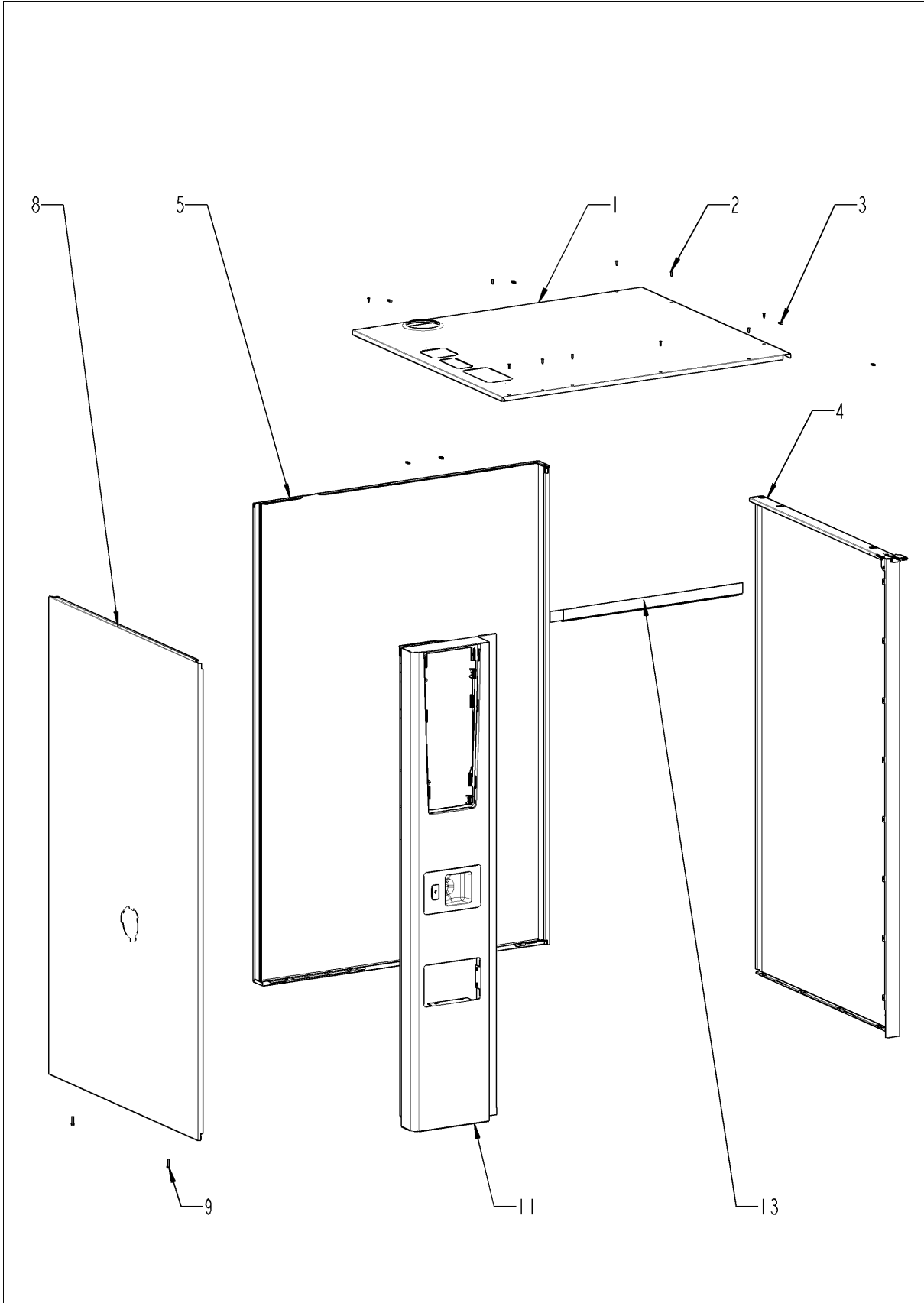
Exterior cabinet



Exterior cabinet

Pos.	Part no.	Description	Qty.
1		Exterior cabinet	1
2	10.01.755P	Countersunk screw M5x20 A2	1
3	1206.0120P	Tooth lock washer A6,4	1
4	40.06.380P	Door switch	1
5	16.00.384S	Bracket for door contact switch	1
7	10.00.103P	EJOT PT-screw KA 3.5x10	1
8	40.06.214P	Vent cover	1
9	16.03.729P	Gasket f. breather tube d=117.3mm	1
10	56.01.430P	Tulip for handshower	1
14	40.05.657P	Air inlet filter cpl.	1
15	40.05.654P	Air inlet filter cpl.	1
19	2039.0111P	Foot adjustable, metal, 40 x 40	4
20	60.72.206	Holder for handle mobile oven rack Type 20-1/1, 20-2/1	1

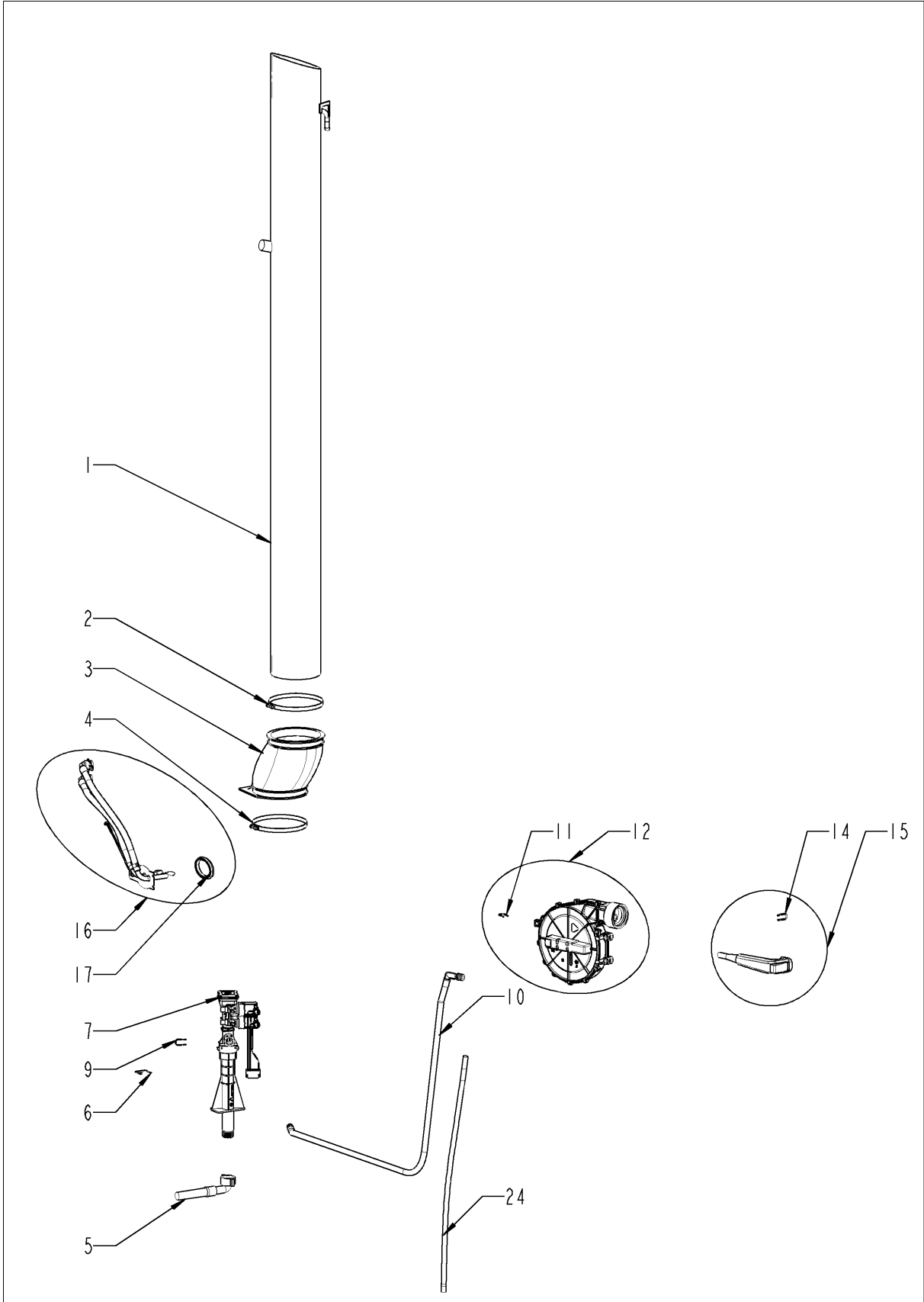
Exterior cabinet



Exterior cabinet

Pos.	Part no.	Description	Qty.
1	16.03.456P	Top cover	1
2	1003.2265P	Countersunk self tapping screw 4,2x16	10
3	1104.0820P	Snap nut 4,2mm	10
4	16.04.082P	Side panel right	1
5	16.04.089P	Back panel, right	1
8	16.03.458P	Side panel left	1
9	10.01.755P	Countersunk screw M5x20 A2	2
11	16.03.688P	Front panel	1
13	16.03.453P	Crossbar top	1

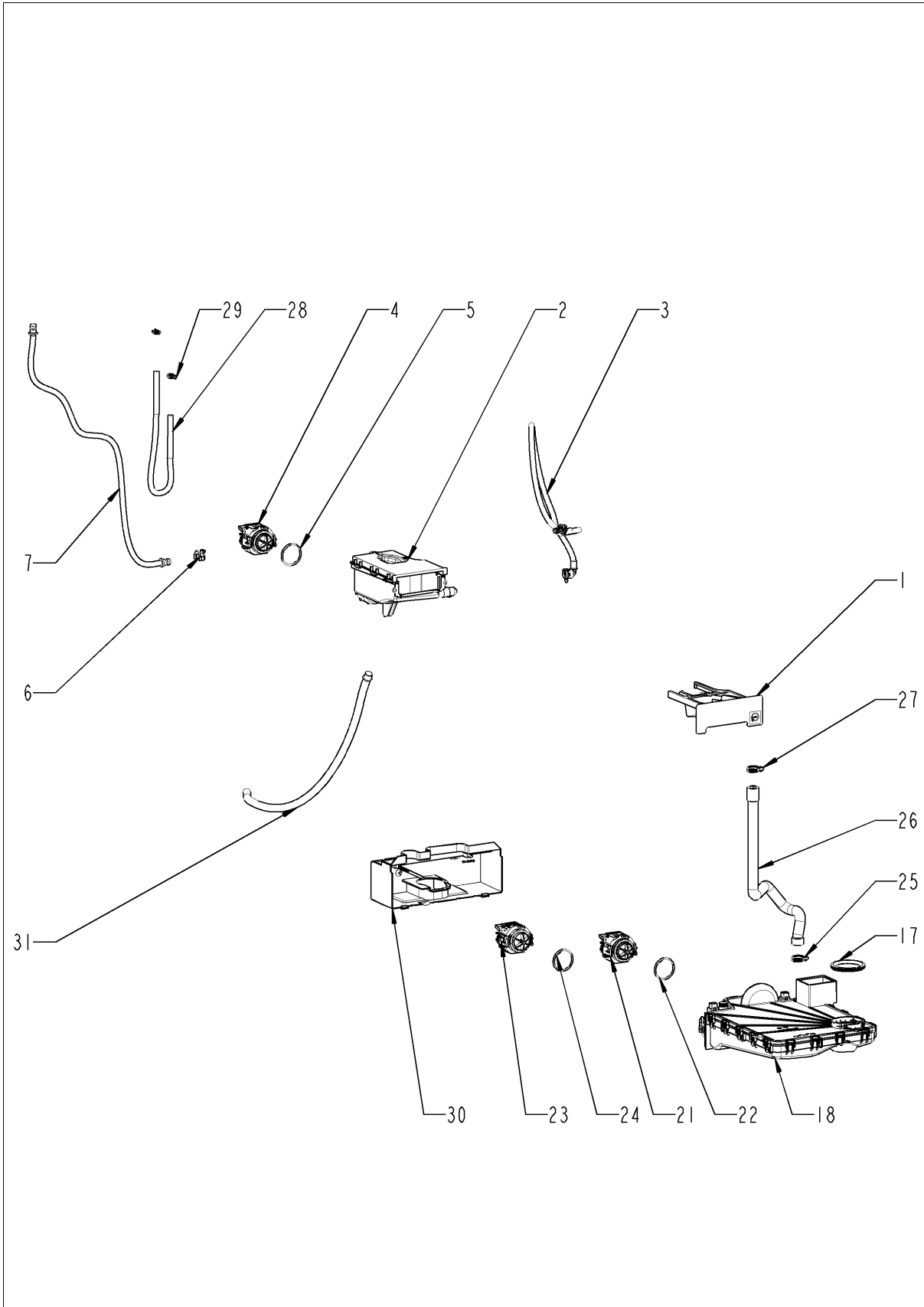
Water



Water

Pos.	Part no.	Description	Qty.
1	54.01.929P	Ventilation pipe	1
2	10.01.667P	Hose clamp 122mm	1
3	54.01.650S	Rubber form piece venting pipe	1
4	10.01.667P	Hose clamp 122mm	1
5	2067.0709P	Hose for water supply 2500mm	1
6	50.00.086P	Locking plate f. water distribution	1
7	50.02.104P	Solenoid valve triple	1
9	50.00.085P	Plug-in spring f. hand shower roll guide	1
10	52.00.137S	Connect. hose f. hand shower roll guide	1
11	50.00.085P	Plug-in spring f. hand shower roll guide	1
12	52.00.099P	Hand shower roll guide	1
14	50.00.156P	Clamp f. hand shower roll guide	1
15	52.00.127S	Hand shower black	1
16	54.01.898S	Inspection lid, B2	1
17	54.01.168P	Gasket f. inspection lid	1
24	52.00.146P	Hose f. hand shower	1

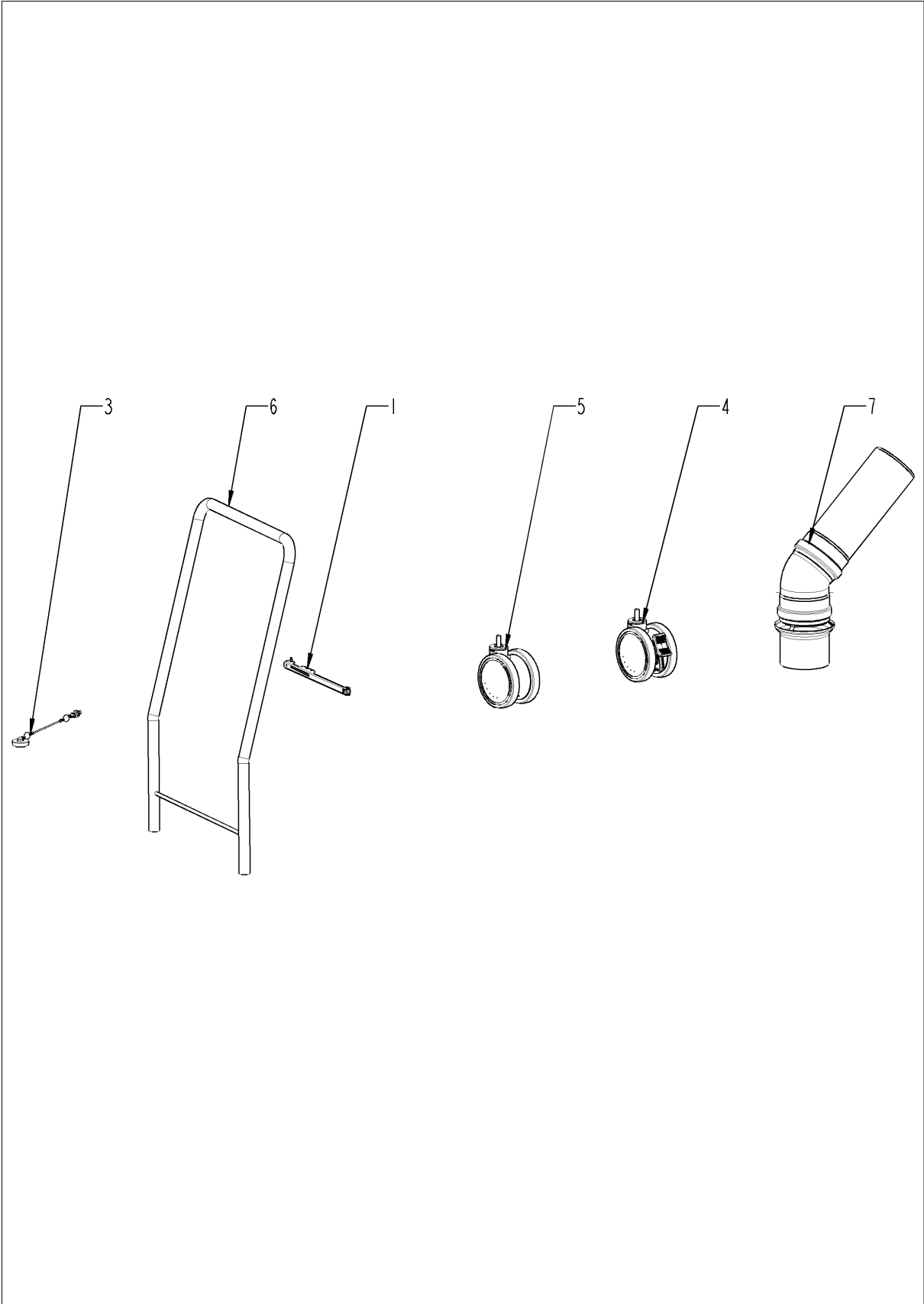
CleanJet + Care



CleanJet + Care

Pos.	Part no.	Description	Qty.
1	56.00.952P	Drawer Care container	1
2	56.01.466P	Care container with pump	1
3	50.02.137P	Supply hose for "Care box"	1
4	56.01.028P	Pump f. CareControl	1
5	56.01.631P	O-ring for pump	1
6	10.01.703P	Locking ring 16 mm	1
7	56.01.508S	Care hose	1
8	10.01.703P	Locking ring 16 mm	1
17	56.01.461P	Gasket DN60	1
18	56.01.370P	Cleaning box	1
21	56.01.017P	Waste water pump Cleaning box	1
22	56.01.631P	O-ring for pump	1
23	56.01.020P	Pump f. cleaning	1
24	56.01.631P	O-ring for pump	1
25	2066.0521P	Hose clamp 27mm	1
26	56.01.328S	CleanJet hose	1
27	2066.0521P	Hose clamp 27mm	1
28	56.01.627S	Silicone hose with hose clamps	1
29	10.01.994P	Hose clamp 15.88 mm	2
30	87.01.637S	Cover for pump	1
31	56.01.501P	Emergency overflow-tube	1

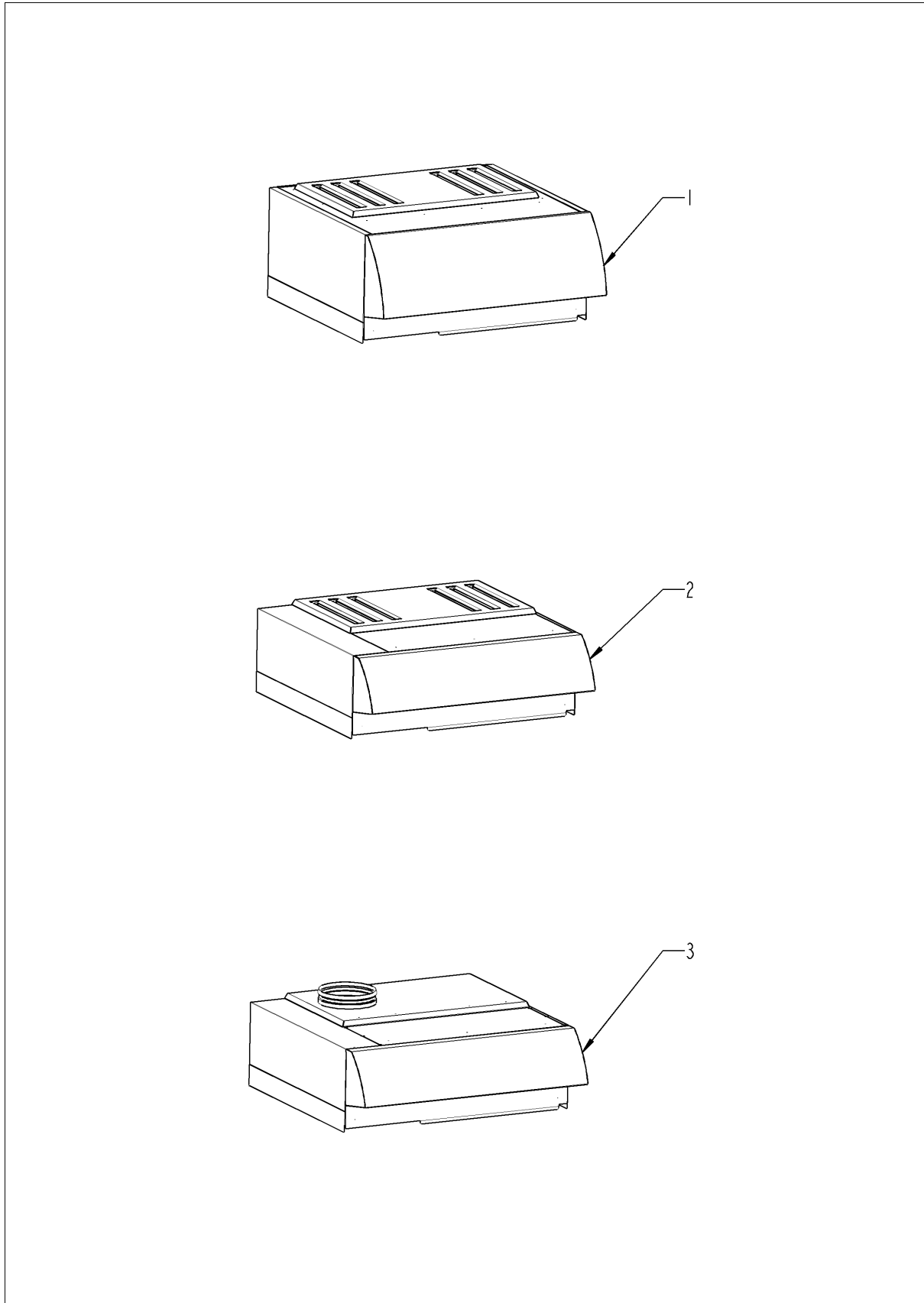
Standard accessory



Standard accessory

Pos.	Part no.	Description	Qty.
1	60.71.022P	Positioning support f. core sensor	1
3	60.60.566P	Drain plug with chain for trolley	1
4	60.74.681P	Castor with brake ø125mm	2
5	60.74.680P	Castor without brake ø125mm	2
6	60.22.072P	Handle for mobile oven rack	1
7	60.75.326	Condensation breaker	1
8		Exhaust hood	1

Exhaust hood



Exhaust hood

Pos.	Part no.	Description	Qty.
1		UltraVent Plus	1
2		UltraVent	1
3		Extractor hood	1



UltraVent Plus

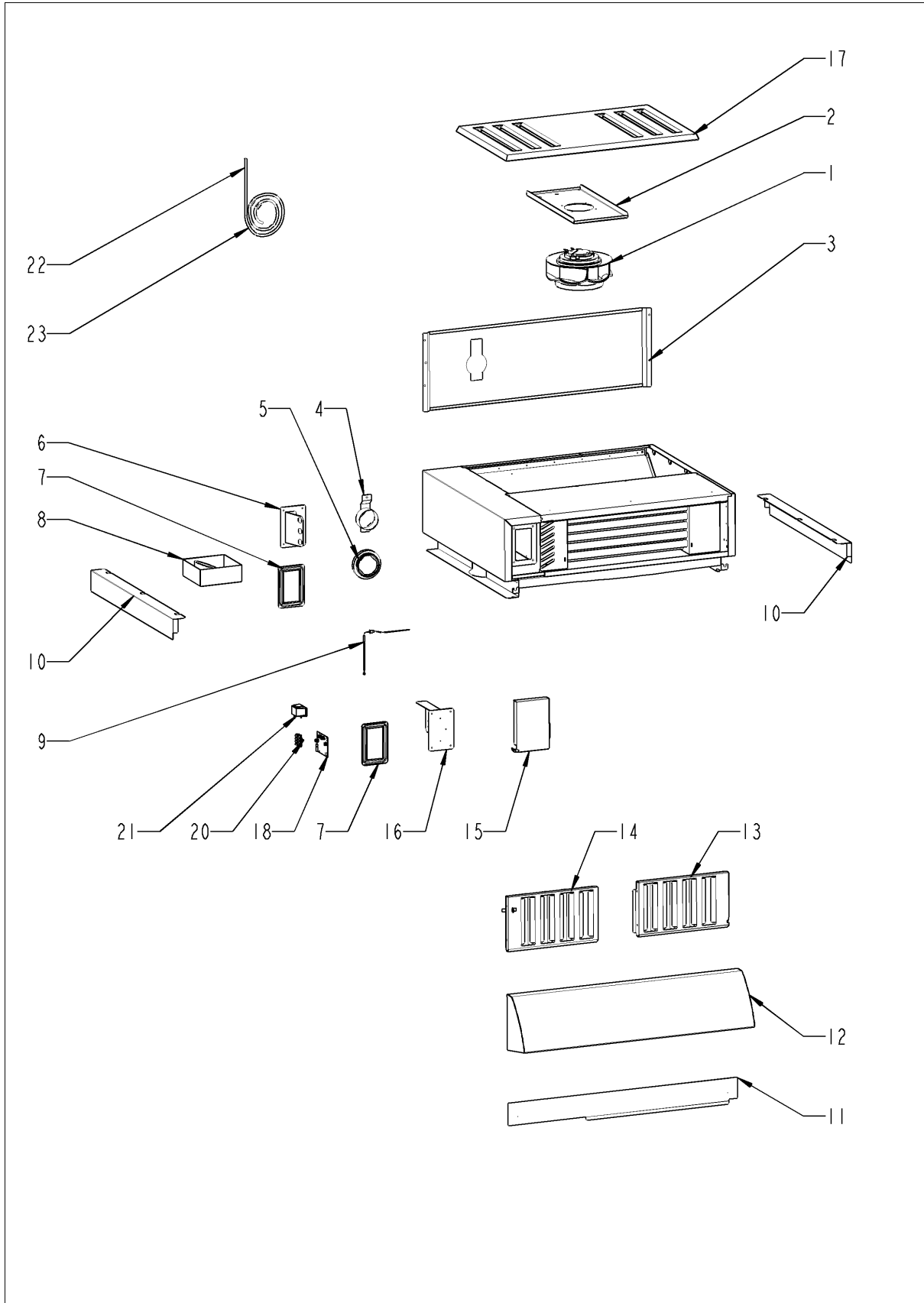
iCombi® ab 03/2020 202 - 20 x 2/1 Gastronorm
E22MJ2007



UltraVent Plus

Pos.	Part no.	Description	Qty.
------	----------	-------------	------

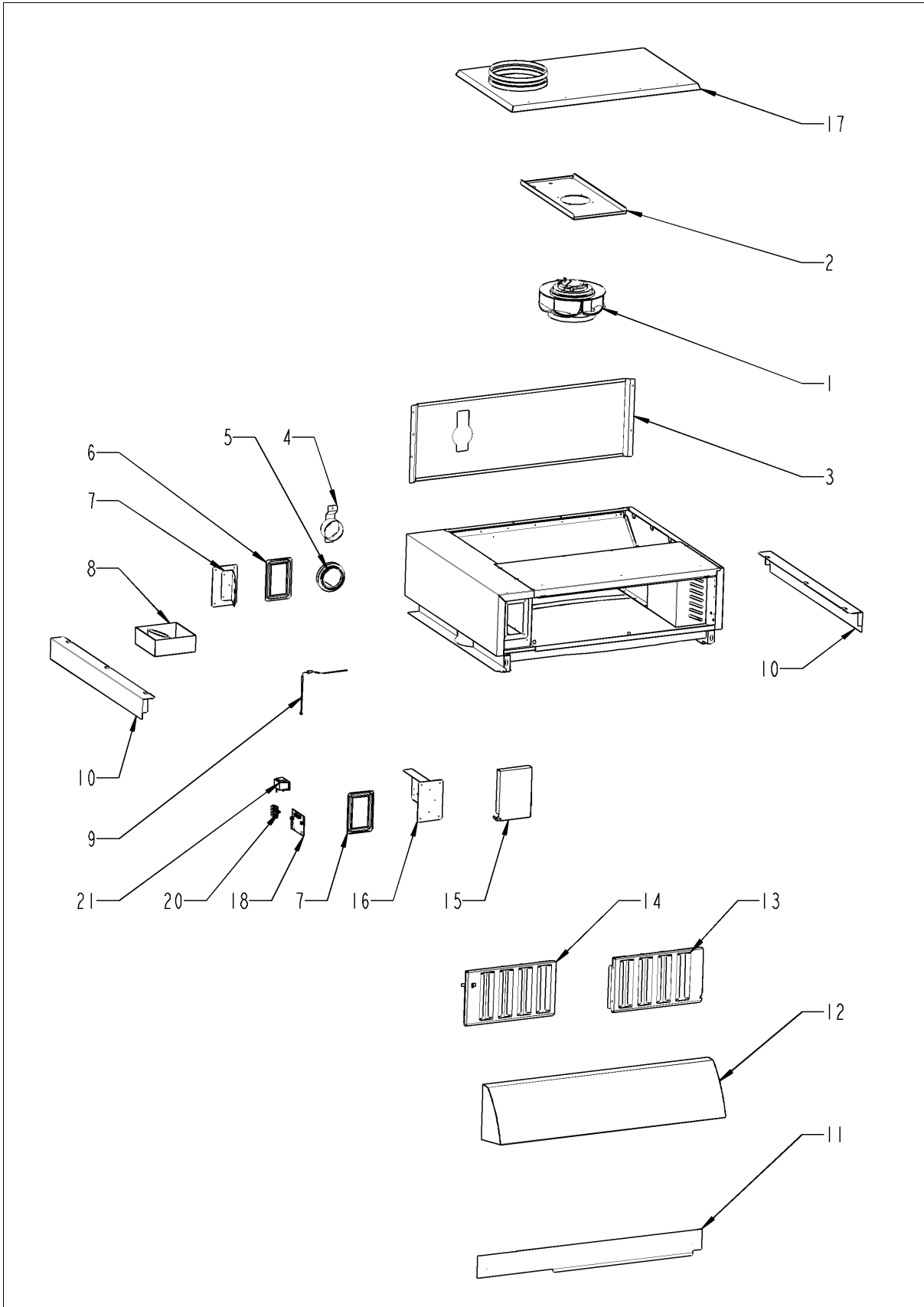
UltraVent



UltraVent

Pos.	Part no.	Description	Qty.
1	60.74.890S	Blower motor for Ultravent	1
1	60.74.889S	Blower motor for Ultravent	1
2	60.75.179S	Motor mounting plate	1
3	60.75.220S	Heat protection plate	1
4	60.75.215S	Closure Combi-Duo 70mm	1
6	60.75.171S	Electrical box cover back	1
7	60.75.212P	Electrical box seal	1
8	60.75.161P	Condensate collector 114,3mm	1
9	40.05.995P	Thermocouple	1
10	60.75.182P	side panels	1
11	60.75.185S	Front panel	1
12	60.75.197S	Front hood	1
13	60.76.456P	Baffle plate filter right	1
14	60.75.201P	Baffle plate filter left	1
15	60.75.209P	Electrical box cover	1
16	60.75.175S	Electric box cover front	1
17	60.76.534S	IPX5 Coverage	1
18	42.00.308S	Control pcb	1
19	60.76.574P	spacer CPU	1
20	60.76.447S	Connection terminal	1
21	60.76.448S	power chokes	1
21	60.76.449P	Capacitors	1
22	40.06.596P	Bus cable	1
24	87.01.781S	Thermocouple	1

Extractor hood



Extractor hood

Pos.	Part no.	Description	Qty.
1	60.74.890S	Blower motor for Ultravent	1
1	60.74.889S	Blower motor for Ultravent	1
2	60.75.179S	Motor mounting plate	1
3	60.75.220S	Heat protection plate	1
6	60.75.171S	Electrical box cover back	1
7	60.75.212P	Electrical box seal	1
8	60.75.161P	Condensate collector 114,3mm	1
9	40.05.995P	Thermocouple	1
10	60.75.182P	side panels	1
11	60.75.185S	Front panel	1
12	60.75.197S	Front hood	1
13	60.76.456P	Baffle plate filter right	1
14	60.75.201P	Baffle plate filter left	1
15	60.75.209P	Electrical box cover	1
16	60.75.175S	Electric box cover front	1
17	60.76.546S	Exhaust air plate	1
18	42.00.308S	Control pcb	1
19	60.76.574P	spacer CPU	1
20	60.76.447S	Connection terminal	1
21	60.76.448S	power chokes	1
21	60.76.449P	Capacitors	1
22	40.06.596P	Bus cable	1
24	87.01.781S	Thermocouple	1

Index

Part no.	Description	Page
24.03.057P	Abrasion protection for glide socket	25
22.01.232P	Air baffle	21
40.05.654P	Air inlet filter cpl.	11, 29
40.05.657P	Air inlet filter cpl.	29
22.01.385P	Air inlet pipe	13
87.01.619S	Air shaft cpl.	7
16.04.089P	Back panel, right	31
60.75.201P	Baffle plate filter left	43, 45
60.76.456P	Baffle plate filter right	43, 45
60.74.890S	Blower motor for Ultravent	43, 45
60.74.889S	Blower motor for Ultravent	43, 45
16.00.384S	Bracket for door contact switch	29
24.04.213S	Bracket left f. door floor model	25
24.04.212S	Bracket right f. door floor model	25
40.06.596P	Bus cable	43, 45
40.05.858P	Bus cable 1.08m	7
40.07.148P	Bus cable 1.73m	7
40.07.147P	Bus cable 1.96m	7
40.00.320P	Cable connection M20x1.5	7
40.04.495P	Cable connection M25 ø5mm *divisible*	7
40.06.167P	Cable contactor-SSR	7
40.06.061P	Cable control harness	7
40.06.878P	Cable holder	7
40.06.248P	Cable SC pump	7
40.06.251P	Cable, Care pump	7
40.06.242P	Cable, circulation pump	7
87.01.596S	Cable, interior light W40 *door lighting*	25
40.06.718P	Cable, interior light W57 *door lighting*	7
40.06.245P	Cable, sewage pump	7
10.00.090P	Cap f. Torx T30	23
12.02.605P	Cap for door mounting support bottom	23
10.01.076P	Cap nut M5*A2	17, 19, 21

Index

Part no.	Description	Page
50.02.309P	Cap nut M10x1	17
60.76.449P	Capacitors	43, 45
56.01.466P	Care container with pump	35
56.01.508S	Care hose	35
60.74.681P	Castor with brake ø125mm	37
60.74.680P	Castor without brake ø125mm	37
50.00.156P	Clamp f. hand shower roll guide	33
10.00.087P	Clamp strap f. sensor	21
56.01.370P	Cleaning box	35
56.01.328S	CleanJet hose	35
60.75.215S	Closure Combi-Duo 70mm	43
2001.0109P	Compression spring	23
60.75.161P	Condensate collector 114,3mm	43, 45
60.75.326	Condensation breaker	37
52.00.137S	Connect. hose f. hand shower roll guide	33
60.76.447S	Connection terminal	43, 45
40.06.456P	Contacteur B&J K3-74B00 190R T AZ	9
42.00.308S	Control pcb	43, 45
42.00.292P	Control pcb (w/o Eeprom)	5
40.06.355P	Cooling fan	7
40.05.994P	Cooling fan 11938MB	7
1315.0104P	Copper washer 16x20x1,5	21
10.01.755P	Countersunk screw M5x20 A2	29, 31
1003.2265P	Countersunk self tapping screw 4,2x16	31
16.03.735P	Cover f. control pcb w. gasket	5
16.04.110P	Cover for door mounting support	23
87.01.637S	Cover for pump	35
16.03.453P	Crossbar top	31
16.03.752P	Dial f. pulse generator	5
24.04.114S	Door	23
24.03.040P	Door bolt	23
24.04.245P	Door bolt	23

Index

Part no.	Description	Page
24.01.351P	Door catch	23
20.00.399P	Door gasket	21
24.04.081P	Door handle	23
24.04.244P	Door lock	23
24.04.219P	Door setting bolt	25
40.06.380P	Door switch	29
22.01.468P	Drain hose for humidity control, top	13
44.02.797S	Drain hose steam generator	15
44.02.232P	Drain hose steam generator	15
60.60.566P	Drain plug with chain for trolley	37
56.00.952P	Drawer Care container	35
40.03.731P	Earth terminal WKN 35SL/U	9
10.00.103P	EJOT PT-screw KA 3.5x10	29
60.75.175S	Electric box cover front	43, 45
60.75.209P	Electrical box cover	43, 45
60.75.171S	Electrical box cover back	43, 45
60.75.212P	Electrical box seal	43, 45
40.06.389P	Electrical mounting plate	9
42.00.336P	Electronic noise filter	9
44.02.287P	Emergency drainage hose	15
56.01.501P	Emergency overflow-tube	35
56.01.024P	Emptying pump	15
60.76.546S	Exhaust air plate	45
42.00.293P	External memory	5
87.01.559S	Fan motor	19
22.01.151S	Fan wheel	19
24.03.787S	Fixing bracket kit for interior glass pane	25
40.03.756P	Fixing clip f. pcb	9
24.04.619P	Fixing device f. magnet with magnet	25
40.06.053P	Fixing device for safety temperature limiter	21
22.01.427P	Flange f. motor shaft gasket	19
87.01.635S	Flap mechanism	27

Index

Part no.	Description	Page
2039.0111P	Foot adjustable, metal, 40 x 40	29
60.75.197S	Front hood	43, 45
16.03.688P	Front panel	31
60.75.185S	Front panel	43, 45
87.01.536S	Front panel with overlay *RAT*	5
40.06.767P	Fuse 4A *Typ 5HT 4-R*	9
56.01.461P	Gasket DN60	35
16.03.729P	Gasket f. breather tube d=117.3mm.....	29
46.00.289P	Gasket f. heating assembly.....	17
44.02.503P	Gasket f. heating element	15
54.01.168P	Gasket f. inspection lid	33
24.05.092P	Gasket glass pane/trolley	27
44.02.200P	Gasket SC pump	15
24.04.469S	Gasket support	27
22.01.425P	Graphit seal for gasket flange	19
44.01.505P	Grommet Ø12x8,2	15
52.00.127S	Hand shower black	33
52.00.099P	Hand shower roll guide	33
60.22.072P	Handle for mobile oven rack.....	37
60.75.220S	Heat protection plate	43, 45
40.04.211P	Heat sink 3 SSR	7
87.01.696S	Heating assembly with gasket	17
44.02.260S	Heating element with gasket	15
44.02.265S	Heating element with gasket	15
10.01.065P	Hex nut M5	21
10.00.709P	Hex nut M6 w. locking	9, 15, 19
10.01.751P	Hex nut M16 DIN934 A2	21
10.00.109P	Hex screw M5x23	17
10.00.099S	Hex screw M8x12	23
10.00.936P	Hex screw M8x20	19, 23
10.01.208P	Hex screw M8x80 A2	7
60.72.206	Holder for handle mobile oven rack Type 20-1/1, 20-2/1	29

Index

Part no.	Description	Page
16.03.749P	Hook for parking position	5
2066.0205P	Hose clamp 8-16x9 mm SW 7mm	15
10.01.994P	Hose clamp 15.88 mm	35
2066.0521P	Hose clamp 27mm	35
2066.0518P	Hose clamp 30mm	15
10.01.667P	Hose clamp 122mm	33
2066.0527P	Hose clamp ø14mm	13
52.00.146P	Hose f. hand shower	33
2067.0709P	Hose for water supply 2500mm	33
22.00.525P	Hose set f. humidity control	13
50.02.121P	Hose, water supply, steam generator	15
22.01.402P	Humidity control cpl.	13
24.04.334P	Inner door pane	25
54.01.898S	Inspection lid, B2	33
40.06.410P	Interface cable LAN 2m	5
87.01.741S	Interface USB	7
40.05.919P	IO-module	9
60.76.534S	IPX5 Coverage	43
20.02.807P	Isolation for mounting plate for motor	19
87.01.625S	Kit Steam generator insulated	15
87.01.579S	LED bar	25
87.01.580S	LED optics	25
50.00.086P	Locking plate f. water distribution	33
10.01.703P	Locking ring 16 mm	35
10.01.707P	Locking ring 25mm	15
40.06.728P	Loudspeaker K 64 WPTR	11
46.00.290P	Mating flange f. heating assembly	17
40.06.815P	Meat probe sensor	21
16.03.748P	Metal cramp f. panel insert	5
44.02.495S	Molded hose with level electrode	15
42.00.278P	Motor control for fan motor	19
60.75.179S	Motor mounting plate	43, 45

Index

Part no.	Description	Page
22.00.985P	Motor shaft gasket D15	19
40.05.702P	Mounting device f. pressure sensor	13
40.05.950P	Mounting device heat sink SSR	7
22.01.423P	Mounting support f. gasket flange	19
40.06.116S	Mounting support for pump pcb	9
40.06.042S	Mounting support power transformer	7
10.01.694P	O-ring for humidity control	13
56.01.631P	O-ring for pump	35
10.01.880P	Ornamental screw M8x25	23
56.01.503P	Outlet sieve	21
10.01.266P	Pan head screw Torx T20 10,5mm	7
10.01.776P	Pan head screw Torx T20 M4x12	7
24.05.458P	Plastic spreader rivet	25
50.00.085P	Plug-in spring f. hand shower roll guide	33
60.71.022P	Positioning support f. core sensor	37
60.76.448S	power chokes	43, 45
24.04.232S	Pre heat mechanism f. door cpl.	25
24.04.677S	Pre heat sheet f. door	27
3017.1011P	Pressure sensor Huba 401	13
40.06.037P	Pulse generator	5
56.01.028P	Pump f. CareControl	35
56.01.020P	Pump f. cleaning	35
44.02.179S	Pump housing	15
42.00.273P	Pump pcb	9
10.00.515P	Rivet 3,2x6.8 A2/NSF	21
1604.0161P	Rivet 4x6 CNS	25
10.00.904P	Rivet B4x8	25
10.00.989P	Rivet with screw	7, 9, 25
54.01.650S	Rubber form piece venting pipe	33
87.01.543S	Safety device / water supply for steam generator	15
40.06.683P	Safety temperature limiter	21
40.06.685P	Safety temperature limiter	21

Index

Part no.	Description	Page
40.06.098P	Screen for safety temperature limiter	21
40.05.489P	Screen interior cabinet sensor	21
4007.0632P	Screwed cable gland M63x1.5(34-45mm)si.gr	7
16.04.062P	Sealing block	5
16.03.701P	Sealing block LAN	5
10.00.991P	Sealing cap	17
16.03.342P	Sealing f. panel insert	5
16.03.458P	Side panel left	31
16.04.082P	Side panel right	31
60.75.182P	side panels	43, 45
24.00.171P	Silicone buffer 7mm for door	25
56.01.627S	Silicone hose with hose clamps	35
1104.0820P	Snap nut 4,2mm	31
50.02.104P	Solenoid valve triple	33
40.00.453P	Solid state relais	7
60.76.574P	spacer CPU	43, 45
87.01.438	Spacer kit for glass pane	25
24.05.002P	Stop spacer	23
50.02.137P	Supply hose for "Care box"	35
44.02.227S	Supply hose safety armature	15
40.06.112P	Temperature sensor eSTB	21
40.06.133P	Temperature sensor eSTB 100mm	15
40.03.730P	Terminal block blue WKN 35/U	9
40.05.995P	Thermocouple	43, 45
87.01.781S	Thermocouple	43, 45
40.06.792S	Thermocouple humidity *B4*	21
40.06.805P	Thermocouple interior cabinet B1	21
40.06.891P	Thermocouple interior cabinet B9	21
40.06.794P	Thermocouple steam generator *B5*	15
1206.0120P	Tooth lock washer A6,4	29
16.03.456P	Top cover	31
56.01.430P	Tulip for handshower	29

Index

Part no.	Description	Page
40.06.044P	USB socket with cable.....	5
72.00.490P	V Clamp 70mm right.....	15
40.06.214P	Vent cover	13, 29
22.01.456P	Vent cover, left	13
40.06.570P	Ventilation at top.....	13
54.01.929P	Ventilation pipe	33
1308.0162P	Washer A8,4.....	19
56.01.017P	Waste water pump Cleaning box.....	35

