



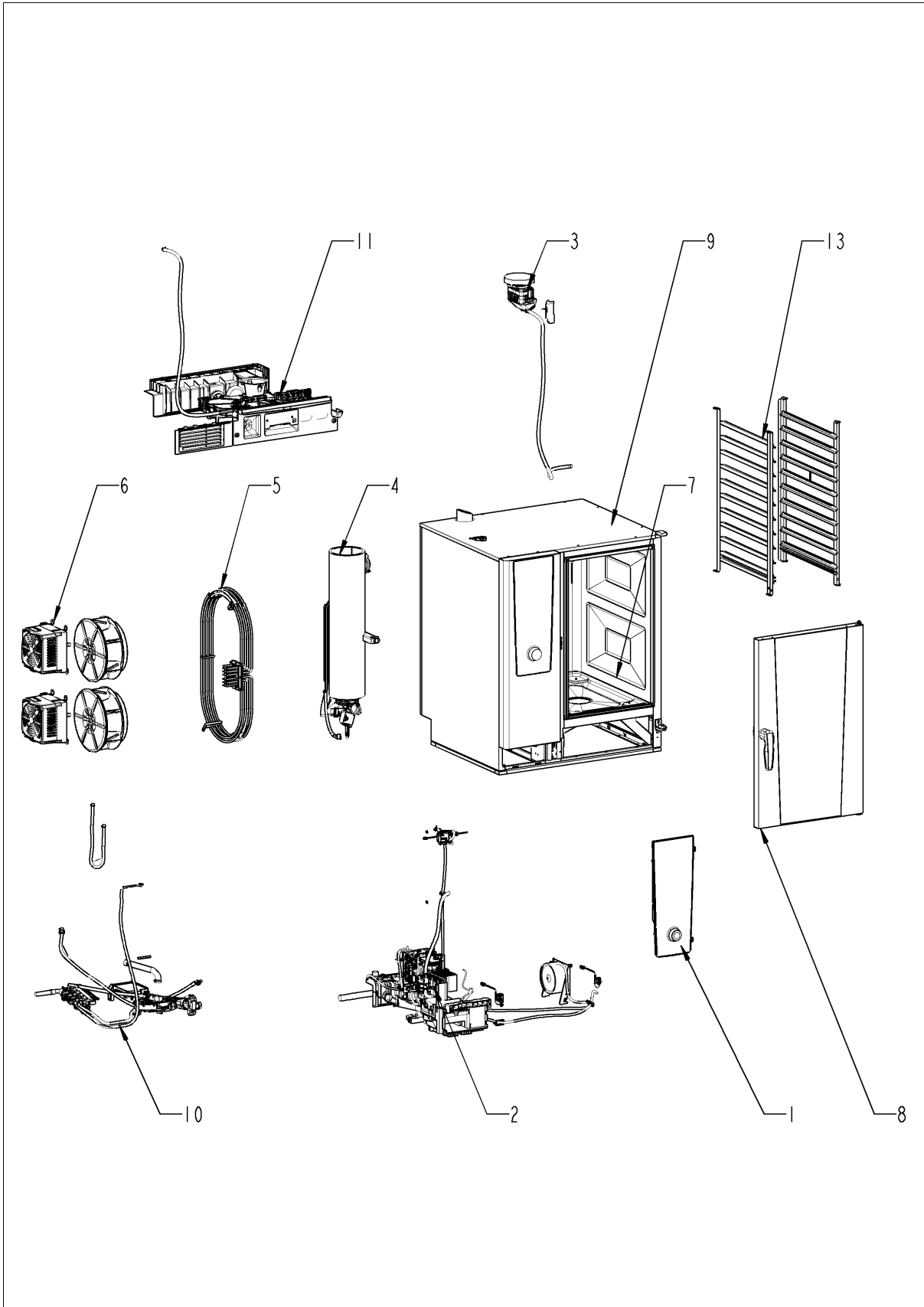
# Service part catalogue

iCombi® ab 03/2020 101 - 10 x 1/1 Gastronorm

E11MJ2007



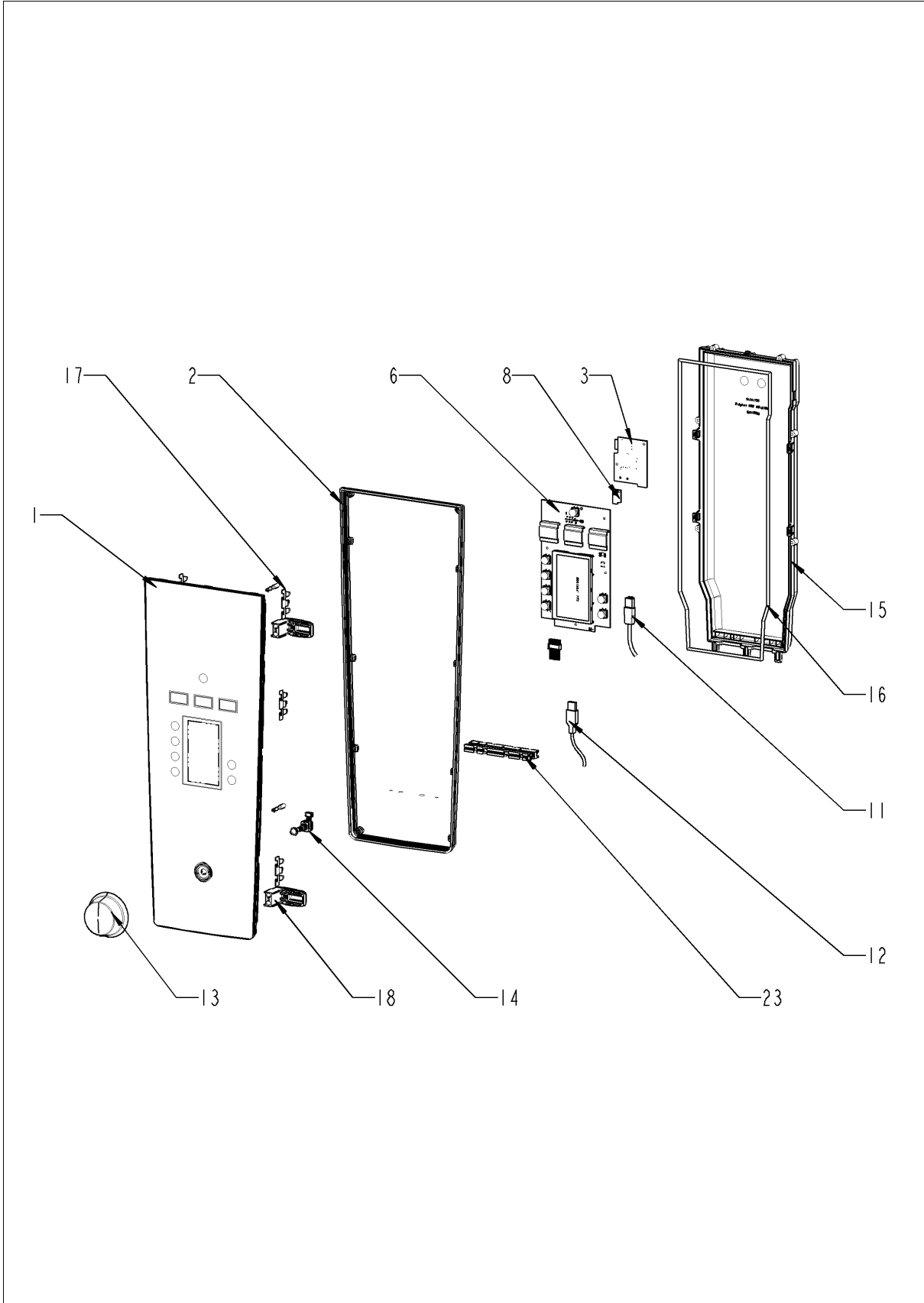
# Overview



## Overview

Pos.	Assembly	Page
1	Control panel .....	4
2	Electrical installation .....	6
3	ClimaPlus .....	12
4	Steam generator .....	14
5	Hot air heating .....	16
6	Motor and fan wheel .....	18
7	Interior cabinet .....	20
8	Door .....	22
9	Exterior cabinet .....	26
10	Water .....	30
11	CleanJet + Care .....	32
13	Standard accessory .....	34

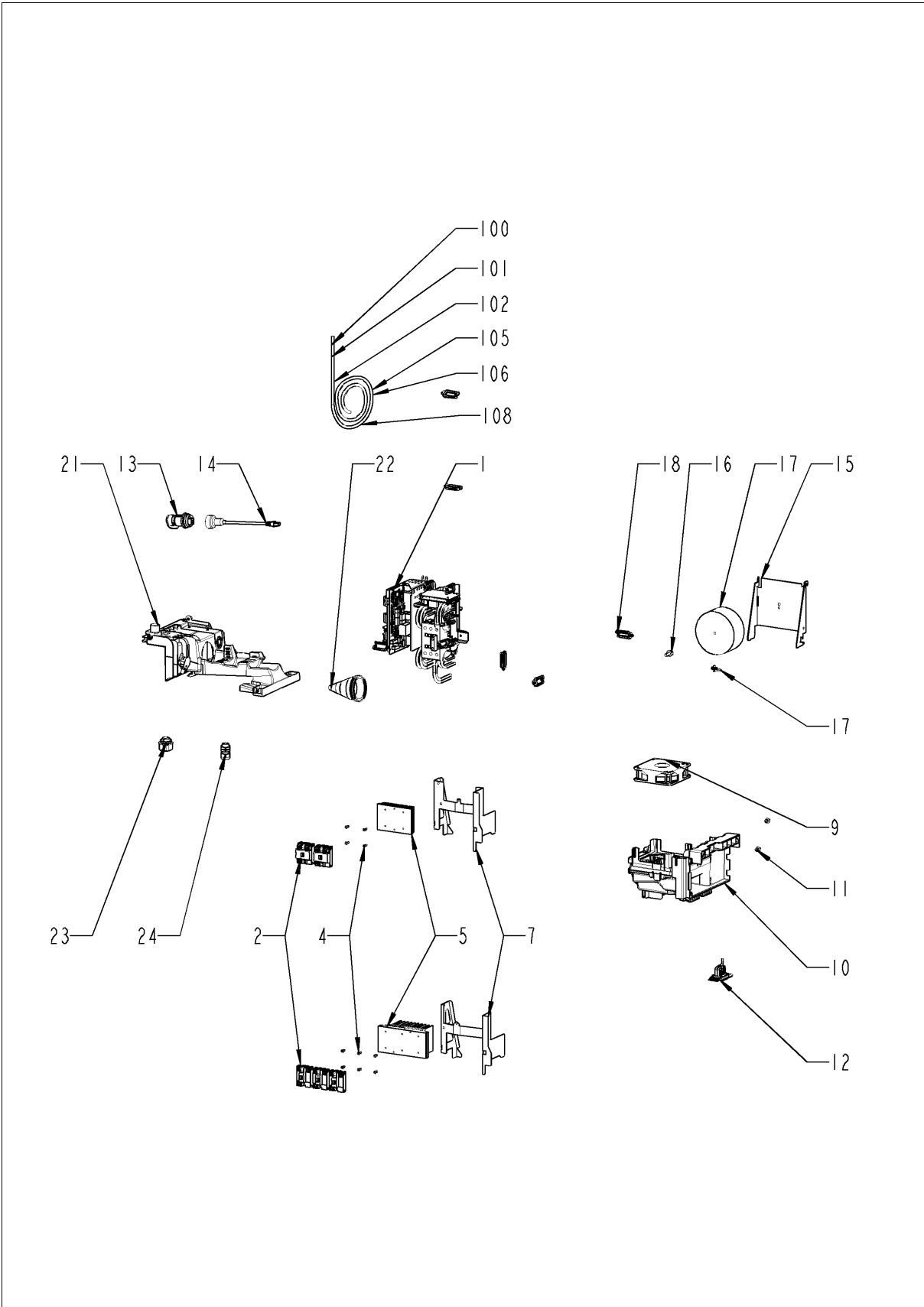
# Control panel



## Control panel

Pos.	Part no.	Description	Qty.
1	87.01.536S	Front panel with overlay *RAT*	1
2	16.03.342P	Sealing f. panel insert	1
6	42.00.292P	Control pcb (w/o Eeprom)	1
8	42.00.293P	External memory	1
11	40.06.044P	USB socket with cable	1
12	40.06.409P	Interface cable LAN 1.5m	1
13	16.03.752P	Dial f. pulse generator	1
14	40.06.037P	Pulse generator	1
15	16.03.735P	Cover f. control pcb w. gasket	1
17	16.03.748P	Metal cramp f. panel insert	6
18	16.03.749P	Hook for parking position	2
23	16.04.062P	Sealing block	1
23	16.03.701P	Sealing block LAN	1

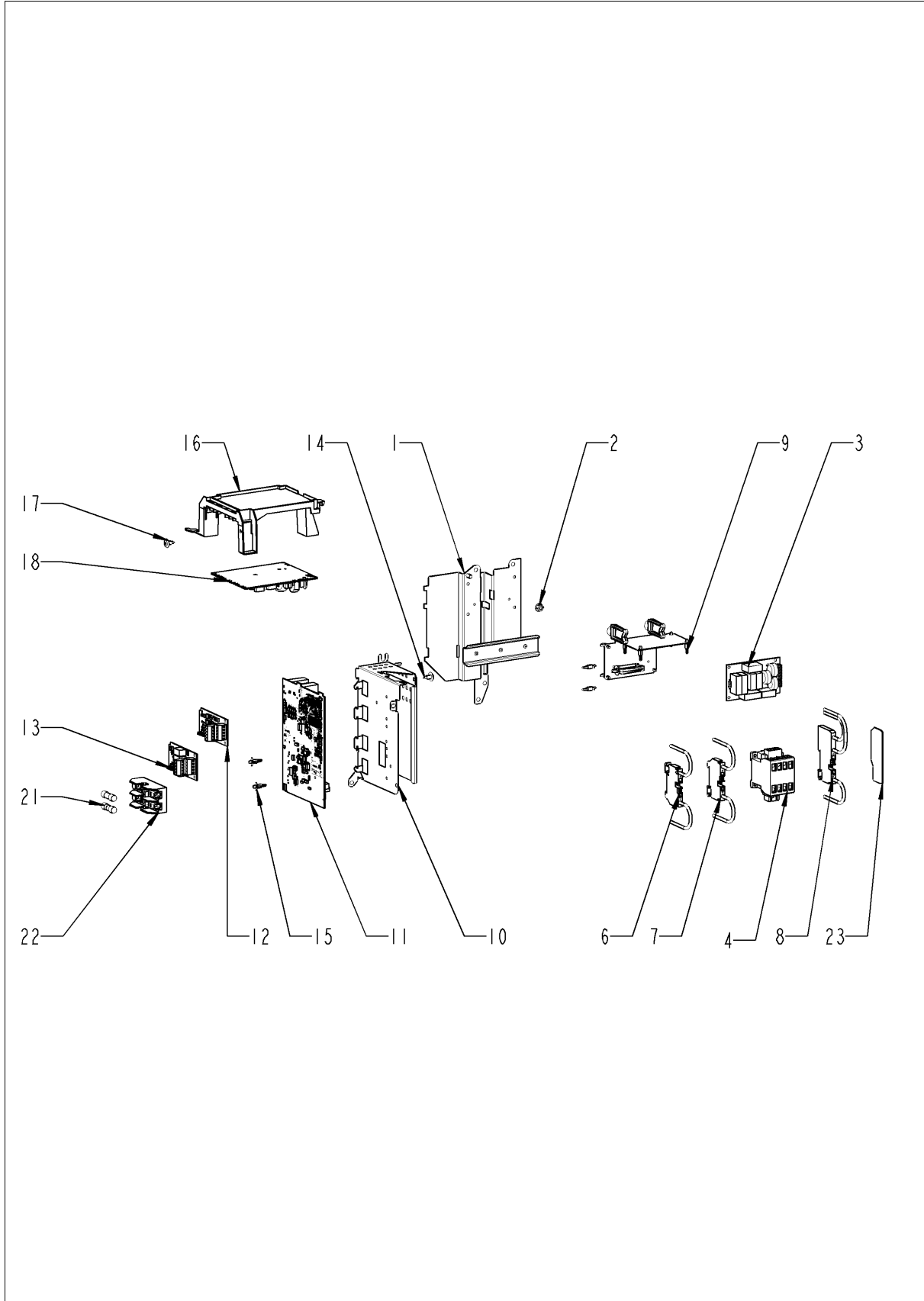
# Electrical installation



## Electrical installation

Pos.	Part no.	Description	Qty.
1		Electrical installation	1
2	40.05.840P	Solid state relais	2
3	10.01.266P	Pan head screw Torx T20 10,5mm	5
4	10.01.776P	Pan head screw Torx T20 M4x12	4
5	40.03.931P	Heat sink small 2 SSR	1
6	10.01.776P	Pan head screw Torx T20 M4x12	1
7	40.06.074P	Mounting device heat sink SSR	1
9	40.05.993P	Cooling fan	1
10	40.06.565P	Air shaft cpl.	1
11	10.00.989P	Rivet with screw	1
12	40.06.043P	Interface USB	1
15	40.05.968P	Mounting support power transformer	1
16	1008.0769P	Ornamental screw M8x30	1
18	40.06.878P	Cable holder	8
21	87.01.620S	Cable entry	1
22	40.00.391S	Cable bushing f. cable entry	1
23	40.00.320P	Cable connection M20x1.5	1
24	40.04.495P	Cable connection M25 ø5mm *divisible*	1
100	40.06.057P	Cable control harness	1
101	40.06.625P	Pump harness	1
102	40.06.624P	Cable harness base	1
112	40.06.742P	Power supply cable 5x4 mm <sup>2</sup> 3m	1
114	40.05.895P	Bus cable 1.16m	1
115	40.05.858P	Bus cable 1.08m	1
116	40.05.858P	Bus cable 1.08m	1
117	40.07.146P	Bus cable 1.35m	1

## Electrical installation

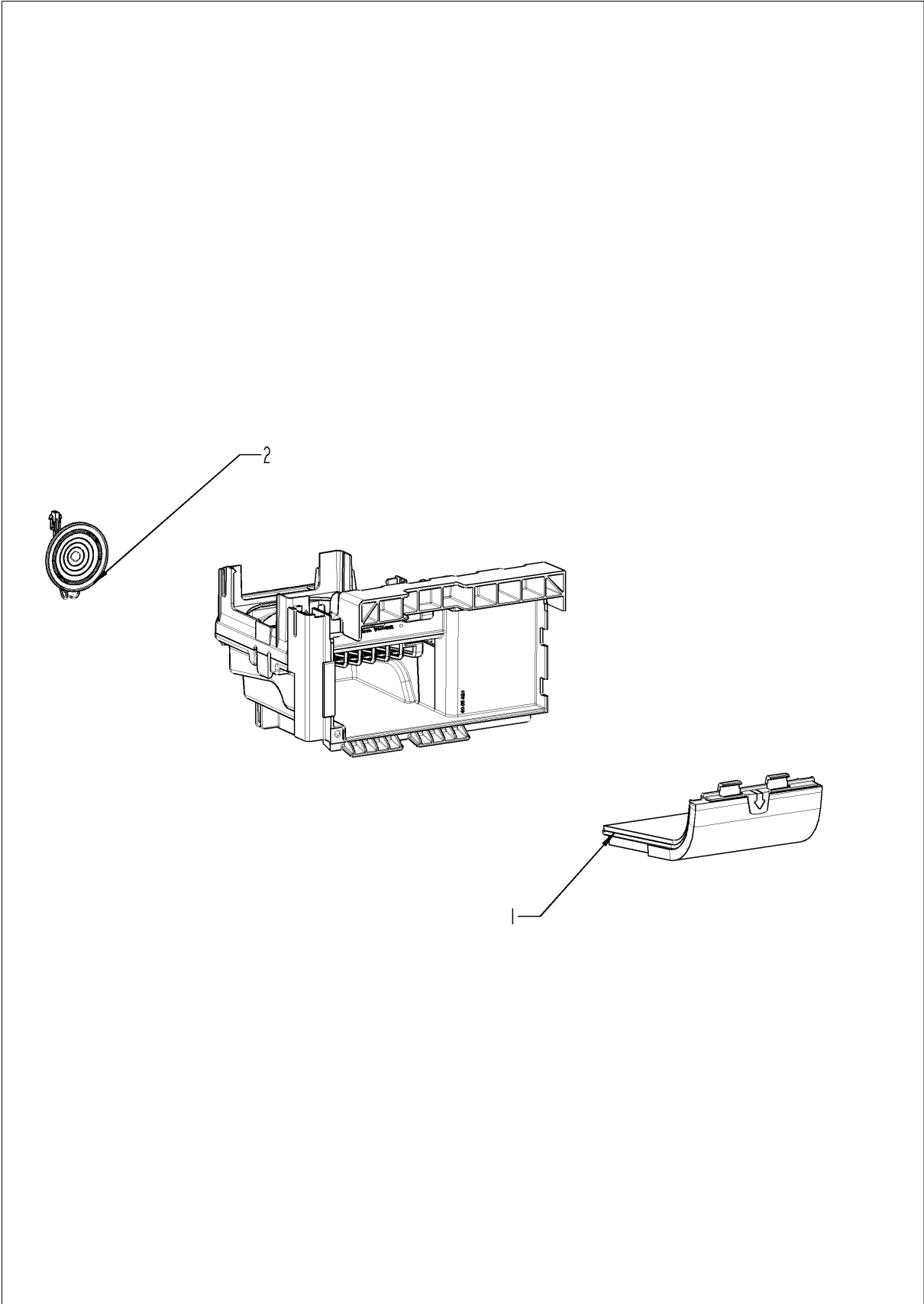




## Electrical installation

Pos.	Part no.	Description	Qty.
1	40.06.384P	Electrical mounting plate	1
2	10.00.709P	Hex nut M6 w. locking	1
3	42.00.336P	Electronic noise filter	1
4	40.06.453P	Contacteur K3-10NBV10 190R T B01 AZ	1
6	40.04.640P	Earth terminal WKFN 6 SL/35	1
7	40.05.277P	Terminal block blue WKFN6/35	1
8	40.05.260P	Terminal block WKFN 6 D1/2/35 grey	2
9	40.03.756P	Fixing clip f. pcb	1
11	40.05.919P	IO-module	1
14	10.00.989P	Rivet with screw	1
15	40.03.756P	Fixing clip f. pcb	1
16	40.04.953P	Mounting support for pump pcb	1
17	10.00.989P	Rivet with screw	1
18	42.00.273P	Pump pcb	1
23	40.05.279P	End cover APFN 6 D1/2/35	1
28	40.06.767P	Fuse 4A *Typ 5HT 4-R*	1

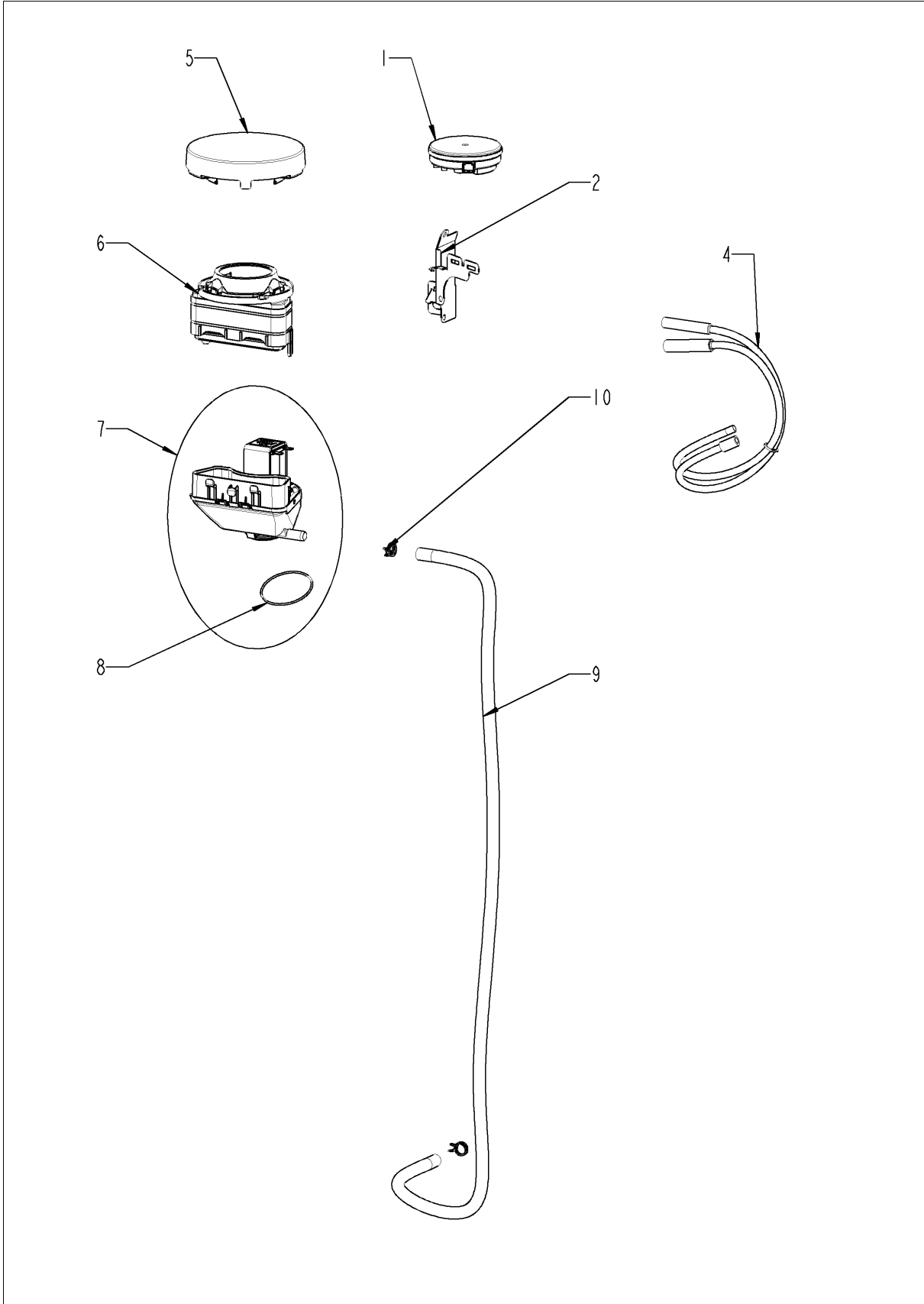
# Air shaft cpl.



## Air shaft cpl.

Pos.	Part no.	Description	Qty.
1	40.05.424P	Air inlet filter cpl.	1
2	40.06.728P	Loudspeaker K 64 WPTR	1

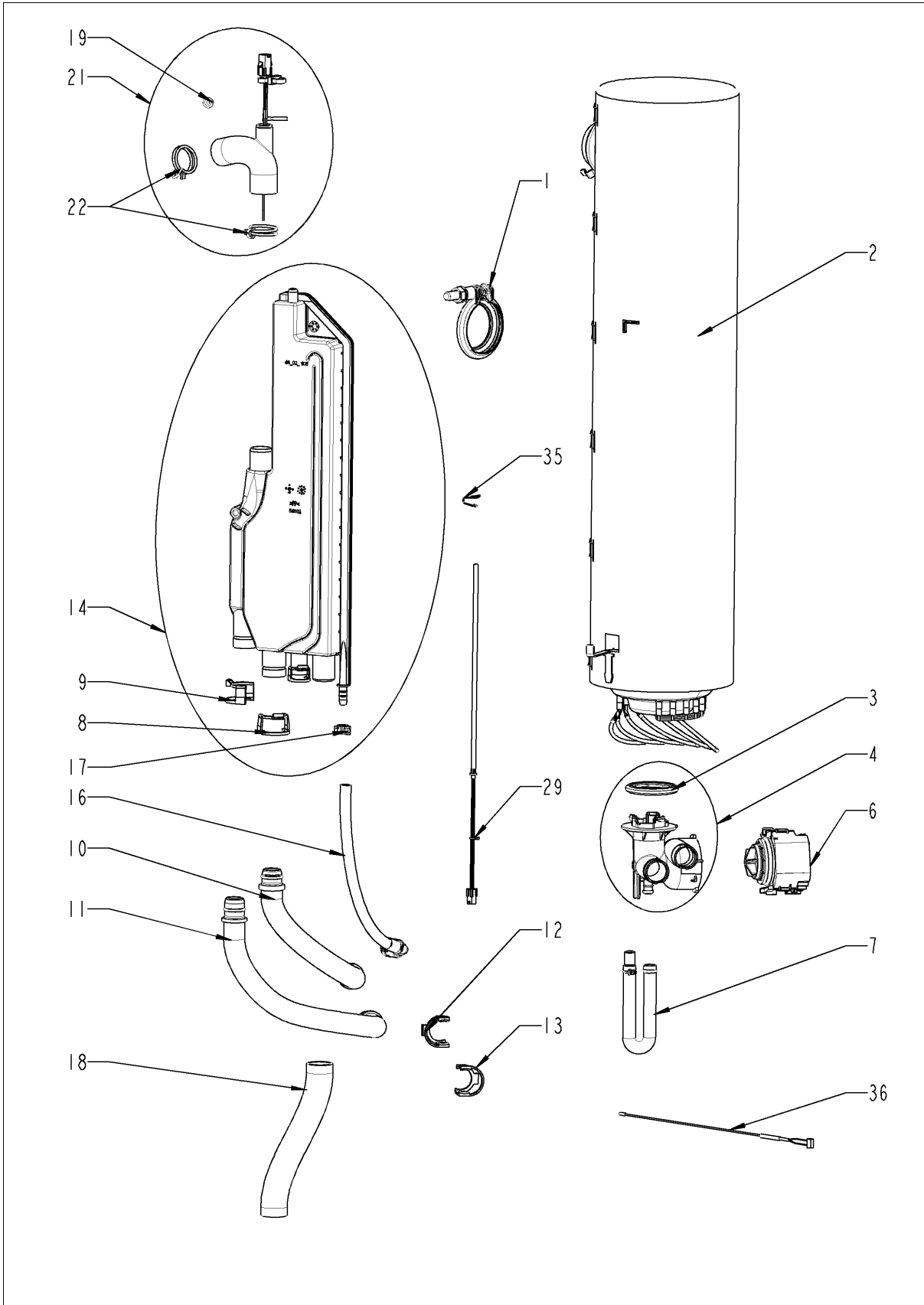
# ClimaPlus



## ClimaPlus

Pos.	Part no.	Description	Qty.
1	3017.1011P	Pressure sensor Huba 401	1
2	40.05.435P	Mounting device f. pressure sensor	1
4	22.00.525P	Hose set f. humidity control	1
5	22.01.409P	Vent cover	1
6	87.01.553S	Air inlet pipe	1
7	22.01.402P	Humidity control cpl.	1
8	10.01.694P	O-ring for humidity control	2
9	56.01.518P	Drain hose set, humidity control, unit drip collector	1
10	2066.0527P	Hose clamp ø14mm	2

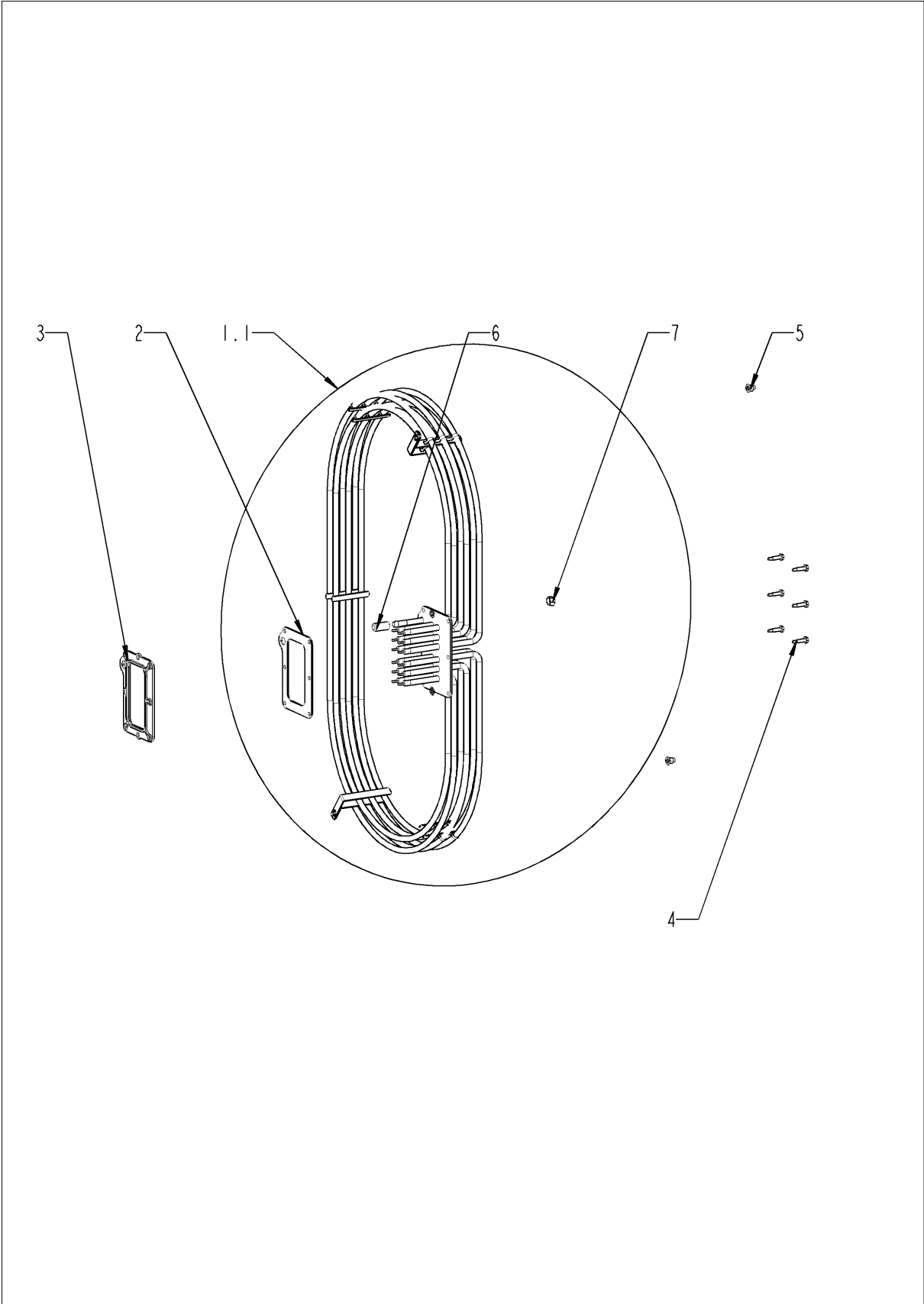
# Steam generator



## Steam generator

Pos.	Part no.	Description	Qty.
1	72.00.491P	V Clamp 50mm left	1
2	87.01.551S	Kit Steam generator insolated	1
3	44.02.200P	Gasket SC pump	1
4	44.02.179S	Pump housing	1
6	56.01.024P	Emptying pump	1
7	44.02.287P	Emergency drainage hose	1
8	10.01.707P	Locking ring 25mm	1
9	10.01.707P	Locking ring 25mm	1
10	44.02.227S	Supply hose safety armature	1
11	44.02.221S	Drain hose steam generator	1
12	10.01.707P	Locking ring 25mm	1
13	10.01.707P	Locking ring 25mm	1
14	87.01.542S	Safety device / water supply for steam generator	1
16	50.02.117P	Hose, water supply, steam generator	1
17	2066.0205P	Hose clamp 8-16x9 mm SW 7mm	1
18	44.02.231P	Drain hose steam generator	1
19	44.01.505P	Grommet Ø12x8,2	1
21	44.02.492S	Molded hose with level electrode	1
22	2066.0518P	Hose clamp 30mm	2
29	40.06.131P	Temperature sensor eSTB 240mm	1
35	44.02.752P	Fixing plate steam generator thermostat	1
36	40.06.227P	Thermocouple steam generator *B5*	1

# Hot air heating

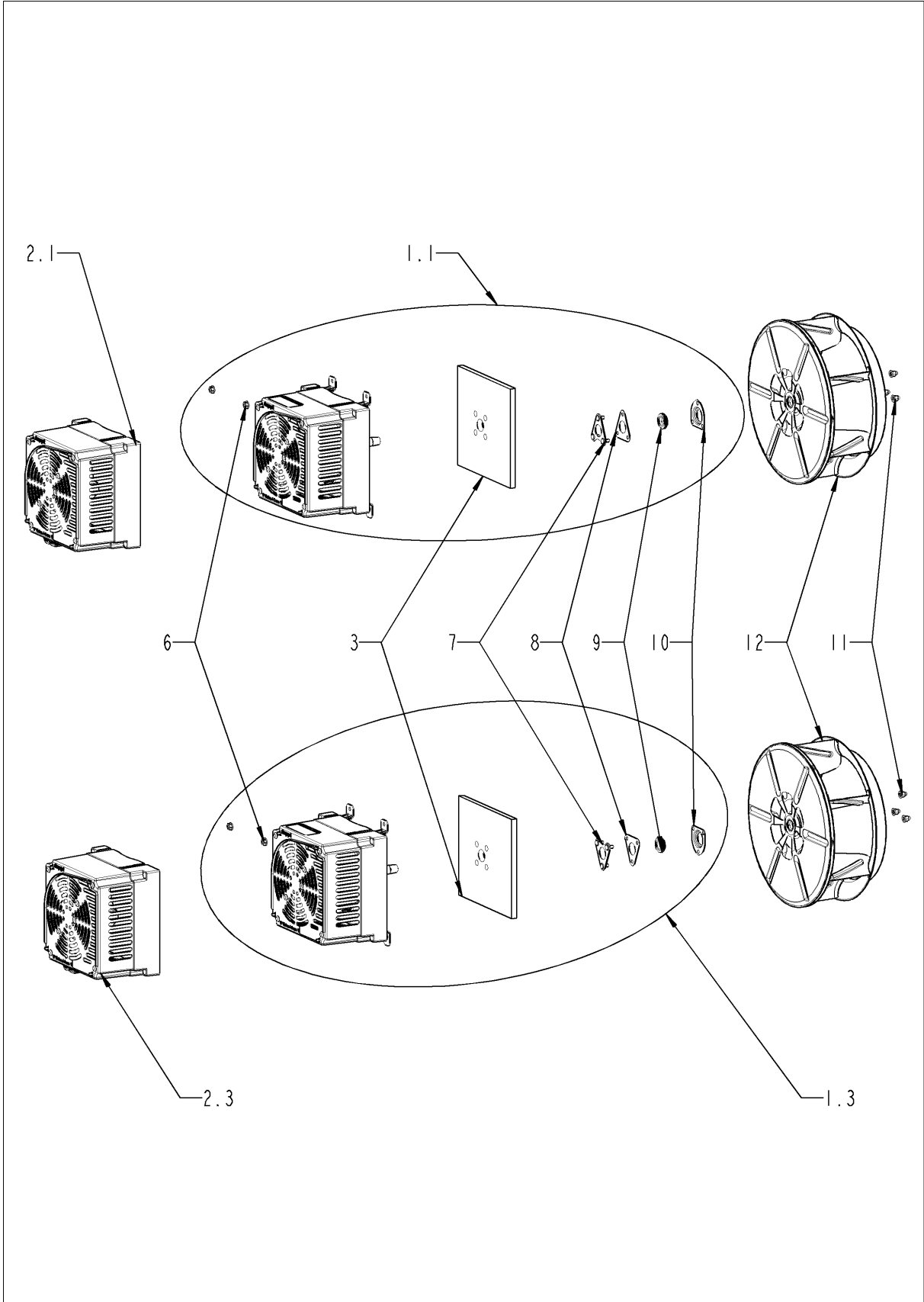




## Hot air heating

<b>Pos.</b>	<b>Part no.</b>	<b>Description</b>	<b>Qty.</b>
1.1	87.01.556S	Heating assembly with gasket	1
2	46.00.284P	Gasket f. heating assembly	1
3	46.00.285P	Mating flange f. heating assembly	1
4	10.00.109P	Hex screw M5x23	6
5	10.01.076P	Cap nut M5*A2	2
6	10.00.991P	Sealing cap	1
7	50.02.309P	Cap nut M10x1	1

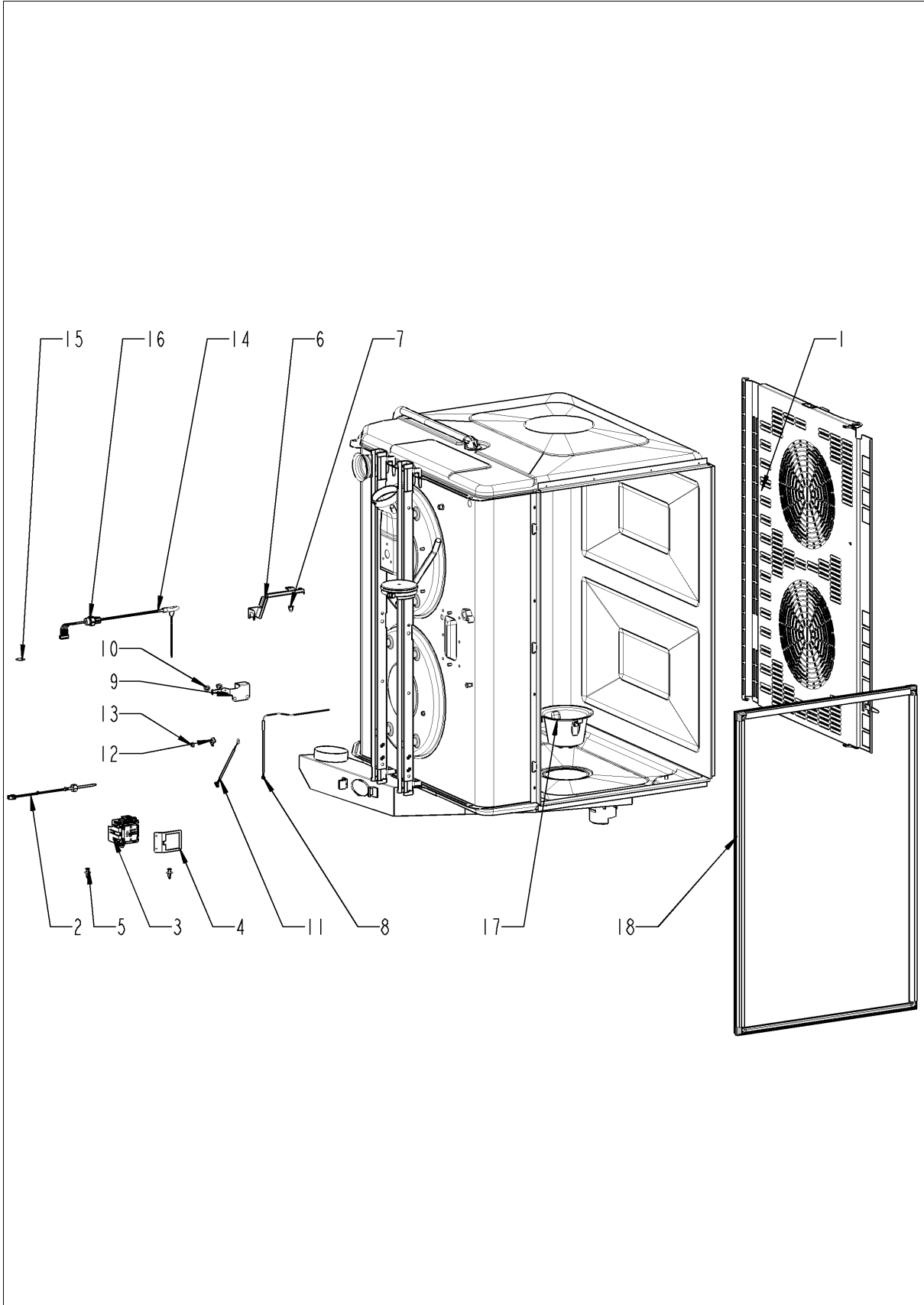
# Motor and fan wheel



## Motor and fan wheel

Pos.	Part no.	Description	Qty.
1.1	87.01.558S	Fan motor	1
1.3	87.01.560S	Fan motor	1
2.1	42.00.276P	Motor control for fan motor	1
2.3	42.00.277P	Motor control for fan motor	1
3	20.02.807P	Isolation for mounting plate for motor	2
6	10.00.709P	Hex nut M6 w. locking	8
7	22.01.423P	Mounting support f. gasket flange	2
8	22.01.425P	Graphit seal for gasket flange	2
9	22.00.985P	Motor shaft gasket D15	2
10	22.01.427P	Flange f. motor shaft gasket	2
11	10.01.076P	Cap nut M5*A2	6
12	22.01.164S	Fan wheel	2
13	1308.0162P	Washer A8,4	2
14	10.00.936P	Hex screw M8x20	2

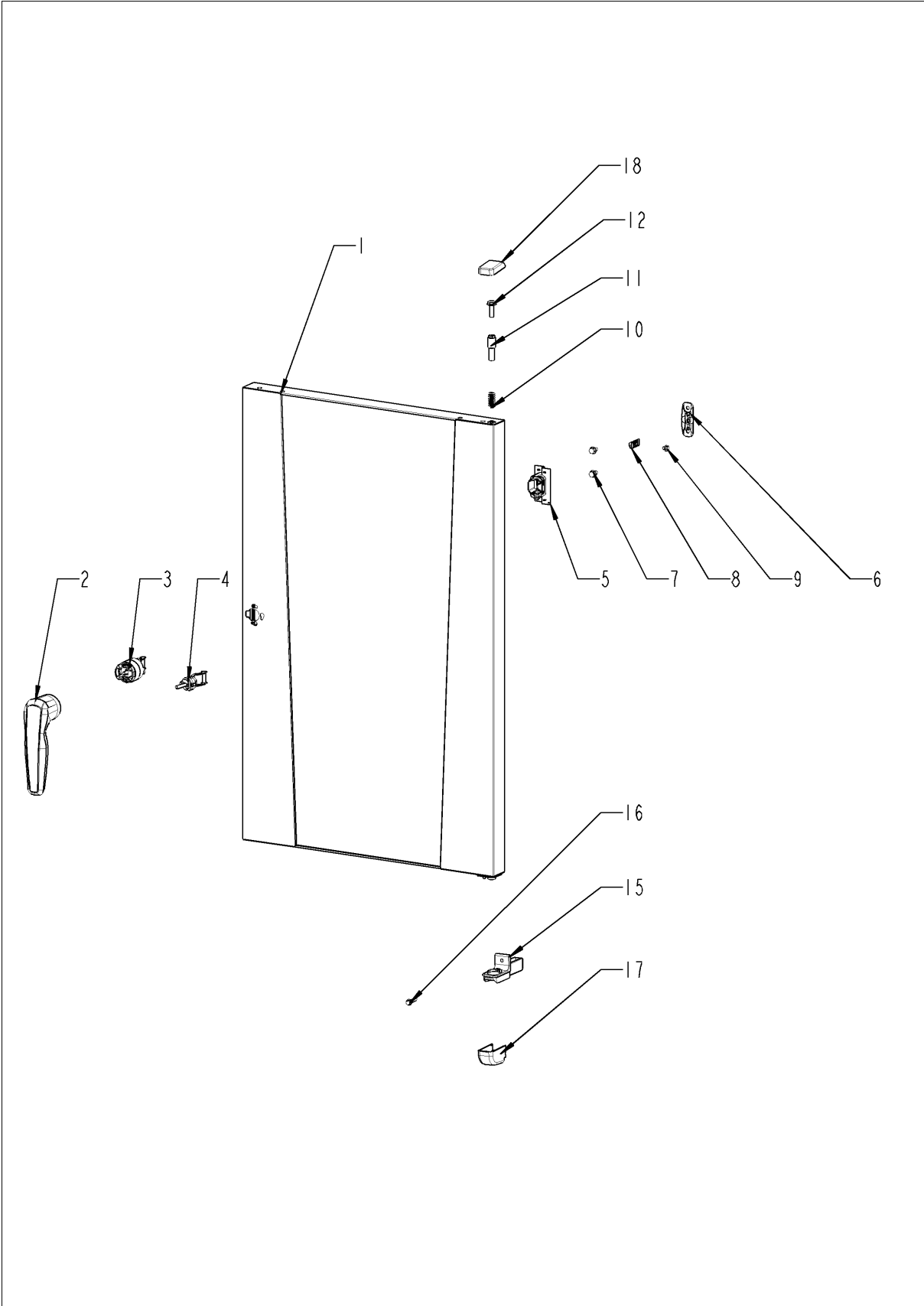
# Interior cabinet



## **Interior cabinet**

<b>Pos.</b>	<b>Part no.</b>	<b>Description</b>	<b>Qty.</b>
1	22.01.340P	Air baffle	1
2	40.06.112P	Temperature sensor eSTB	1
3	40.06.683P	Safety temperature limiter	1
4	40.06.053P	Fixing device for safety temperature limiter	1
5	10.00.515P	Rivet 3,2x6.8 A2/NSF	2
6	40.06.098P	Screen for safety temperature limiter	1
7	10.01.076P	Cap nut M5*A2	1
8	40.06.224P	Thermocouple interior cabinet B1	1
9	40.05.489P	Screen interior cabinet sensor	1
10	10.01.076P	Cap nut M5*A2	2
11	40.06.212S	Thermocouple humidity *B4*	1
12	10.00.087P	Clamp strap f. sensor	1
13	10.01.065P	Hex nut M5	1
14	40.06.377P	Meat probe sensor	1
15	1315.0104P	Copper washer 16x20x1,5	1
16	10.01.751P	Hex nut M16 DIN934 A2	1
17	56.01.491P	Outlet sieve	1
18	20.02.552P	Door gasket	1

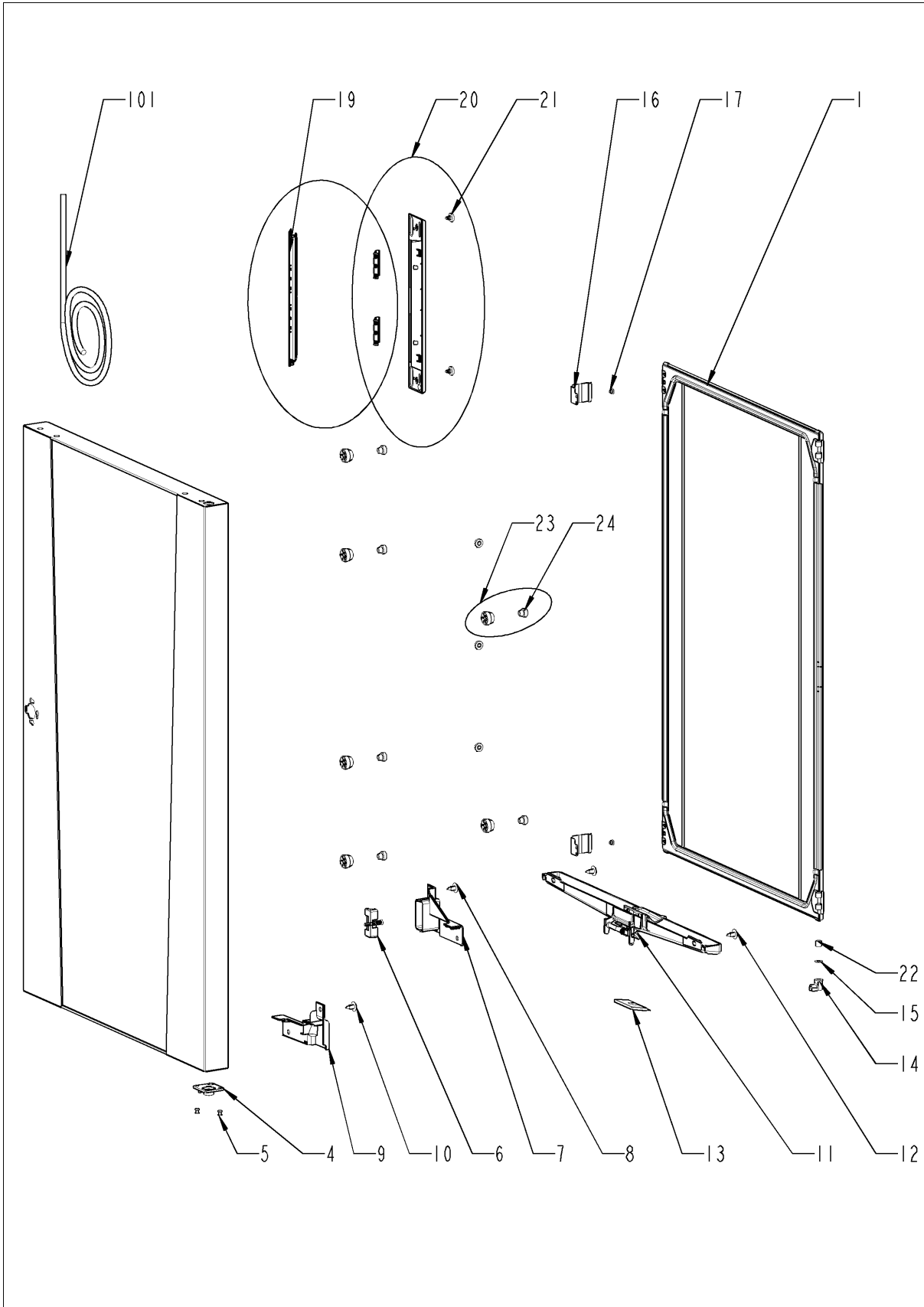
# Door



## Door

<b>Pos.</b>	<b>Part no.</b>	<b>Description</b>	<b>Qty.</b>
1	24.04.101S	Door	1
2	24.04.084P	Door handle	1
3	24.03.041P	Door lock with spring U-bolt	1
5	24.04.211P	Lock cover	1
6	24.02.958P	Holding bracket f. door catch	1
7	10.01.719P	Hex screw M6x12	2
8	24.02.959P	Door catch	1
9	24.02.960P	Interlocking tooth screw M5x6	1
10	2001.0109P	Compression spring	1
11	24.03.040P	Door bolt	1
12	1008.0768P	Ornamental screw M8x16	1
15	14.01.056P	Door mounting support bottom	1
16	10.01.755P	Countersunk screw M5x20 A2	1
17	56.01.245P	Cap for door mounting support bottom	1
18	16.04.110P	Cover for door mounting support	1

# Door

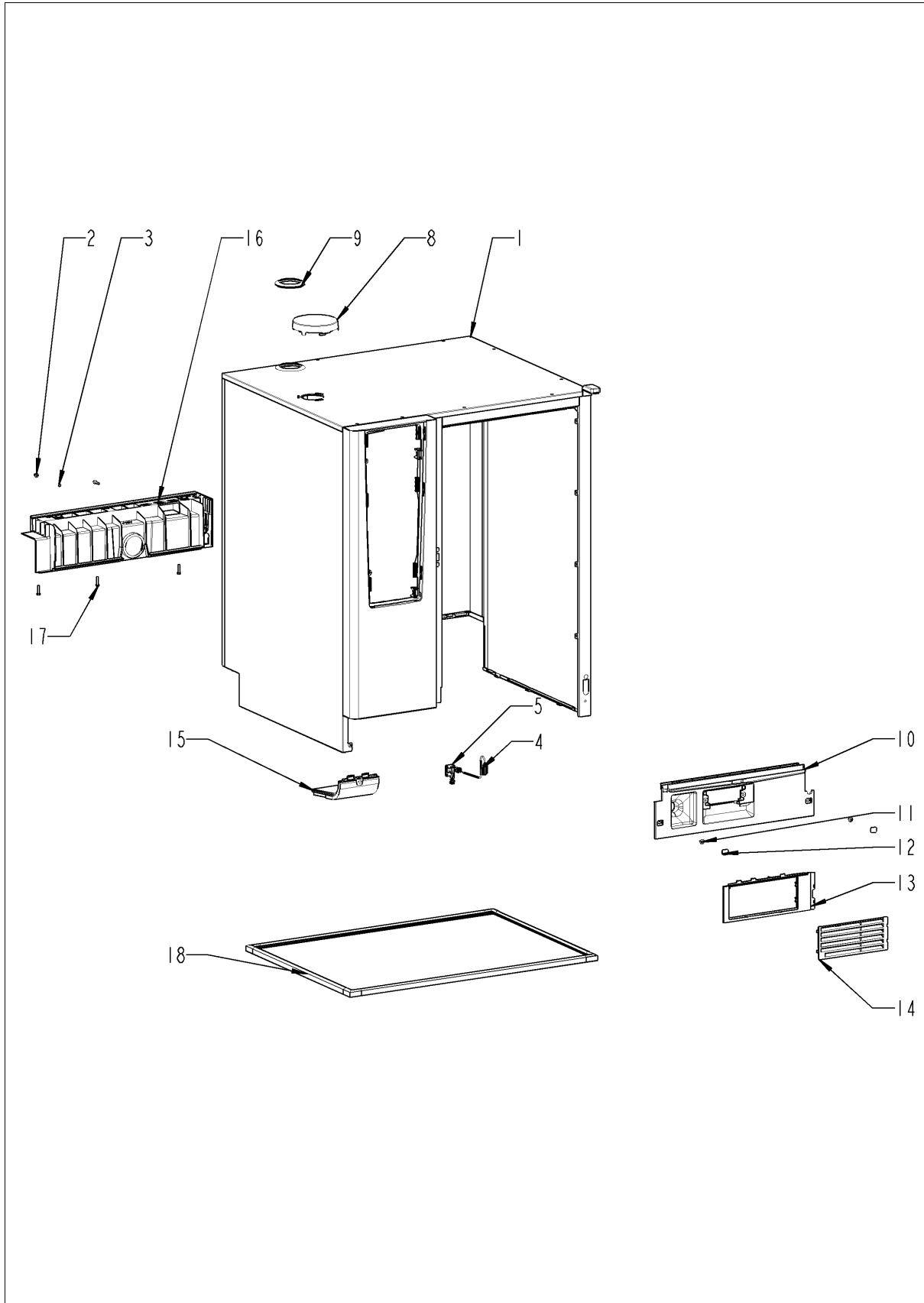




## Door

Pos.	Part no.	Description	Qty.
1	24.04.331S	Inner door pane	1
4	24.04.217P	Door setting bolt	1
5	10.00.904P	Rivet B4x8	2
6	24.04.619P	Fixing device f. magnet with magnet	1
7	24.04.598S	Cover for door magnet	1
8	10.00.989P	Rivet with screw	2
9	24.05.303S	Hinge cover	1
10	10.00.989P	Rivet with screw	2
11	24.05.382P	Door drip collector	1
12	10.00.989P	Rivet with screw	2
13	24.05.345P	Drain seal for door drip collector	1
14	24.03.056P	Slide bush for door	1
15	24.03.057P	Abrasion protection for glide socket	1
16	24.03.787S	Fixing bracket kit for interior glass pane	2
17	1604.0161P	Rivet 4x6 CNS	1
19	87.01.578S	LED bar	1
20	87.01.586S	LED optics	1
21	24.05.458P	Plastic spreader rivet	2
22	24.03.764P	Spacer for door	1
23	87.01.438	Spacer kit for glass pane	1
24	24.00.171P	Silicone buffer 7mm for door	6
101	40.06.080P	Cable, interior light W40 *door lighting*	1

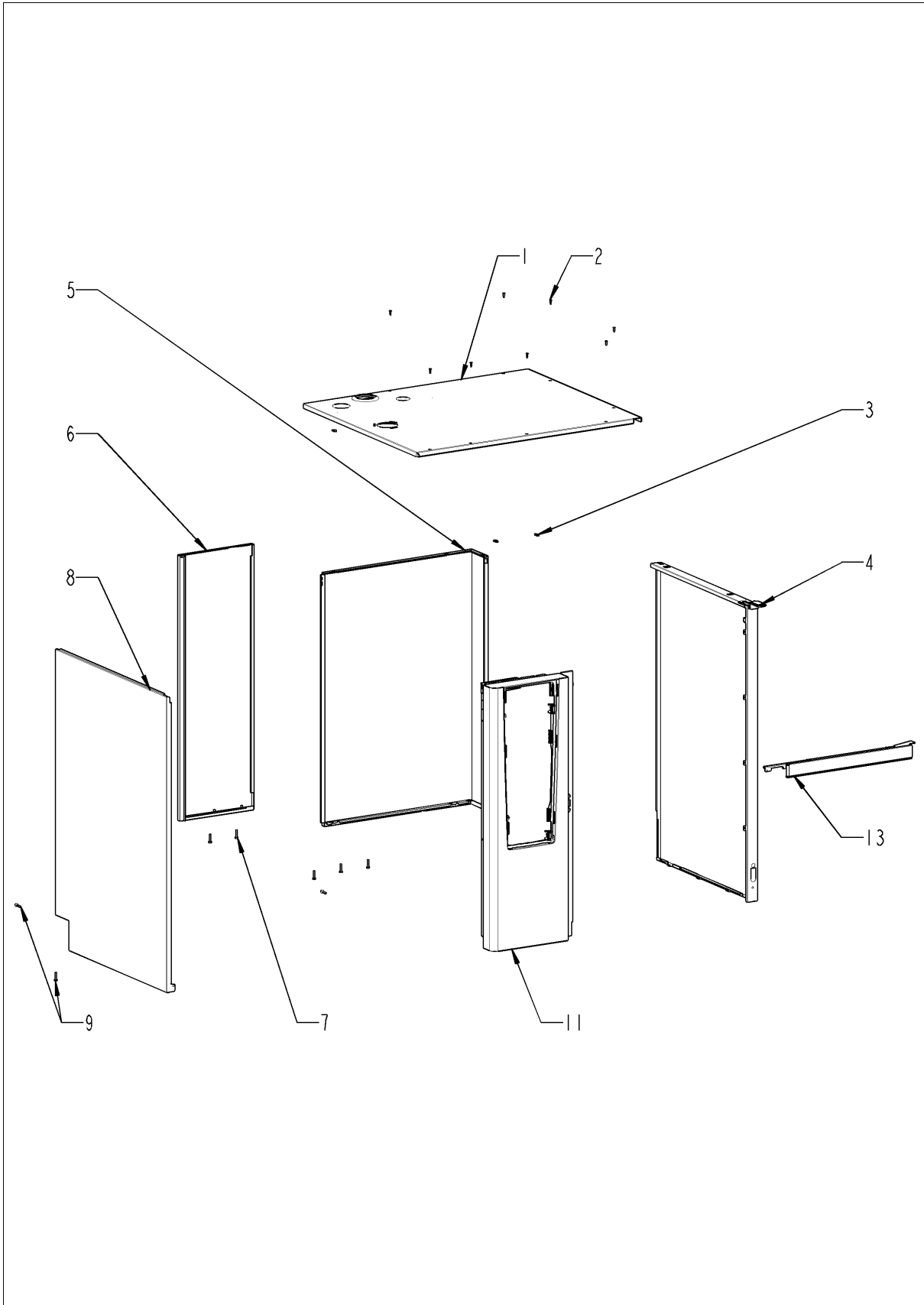
## Exterior cabinet



## Exterior cabinet

Pos.	Part no.	Description	Qty.
1		Exterior cabinet	1
2	10.01.076P	Cap nut M5*A2	1
3	1205.0120P	Tooth lock washer A5,3	1
4	40.06.664P	Door switch	1
5	14.00.937P	Bracket for door contact switch	1
8	22.01.409P	Vent cover	1
9	16.01.434P	Gasket f. breather tube d=73mm	1
10	56.01.208P	Base panel right	1
11	10.00.989P	Rivet with screw	4
12	56.01.419P	Plastic cap	2
13	56.01.432P	Base panel left	1
14	56.01.422P	Grid cover	1
15	40.05.424P	Air inlet filter cpl.	1
16	56.01.521P	Waste water cover	1
17	10.01.755P	Countersunk screw M5x20 A2	3
18	12.02.664P	Gasket for base frame	1

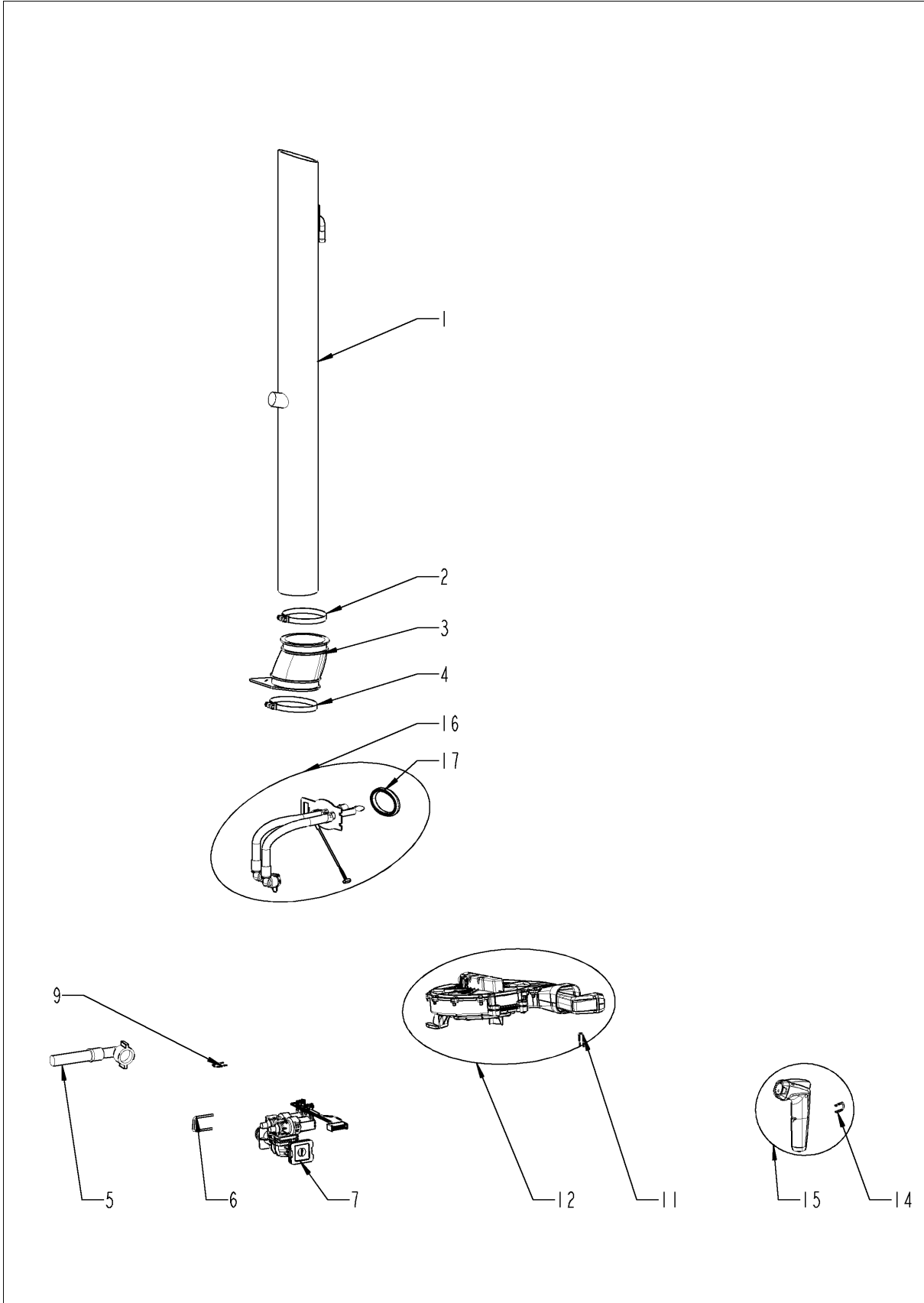
## Exterior cabinet



## Exterior cabinet

Pos.	Part no.	Description	Qty.
1	16.03.380P	Top cover	1
2	1003.2265P	Countersunk self tapping screw 4,2x16	8
3	1104.0820P	Snap nut 4,2mm	8
4	16.04.077P	Side panel right	1
5	16.04.086P	Back panel, right	1
6	16.03.394P	Back panel, left	1
7	10.01.755P	Countersunk screw M5x20 A2	2
8	16.03.397P	Side panel left	1
9	10.01.755P	Countersunk screw M5x20 A2	2
11	16.03.631P	Front panel	1
13	16.04.091P	Crossbar top	1

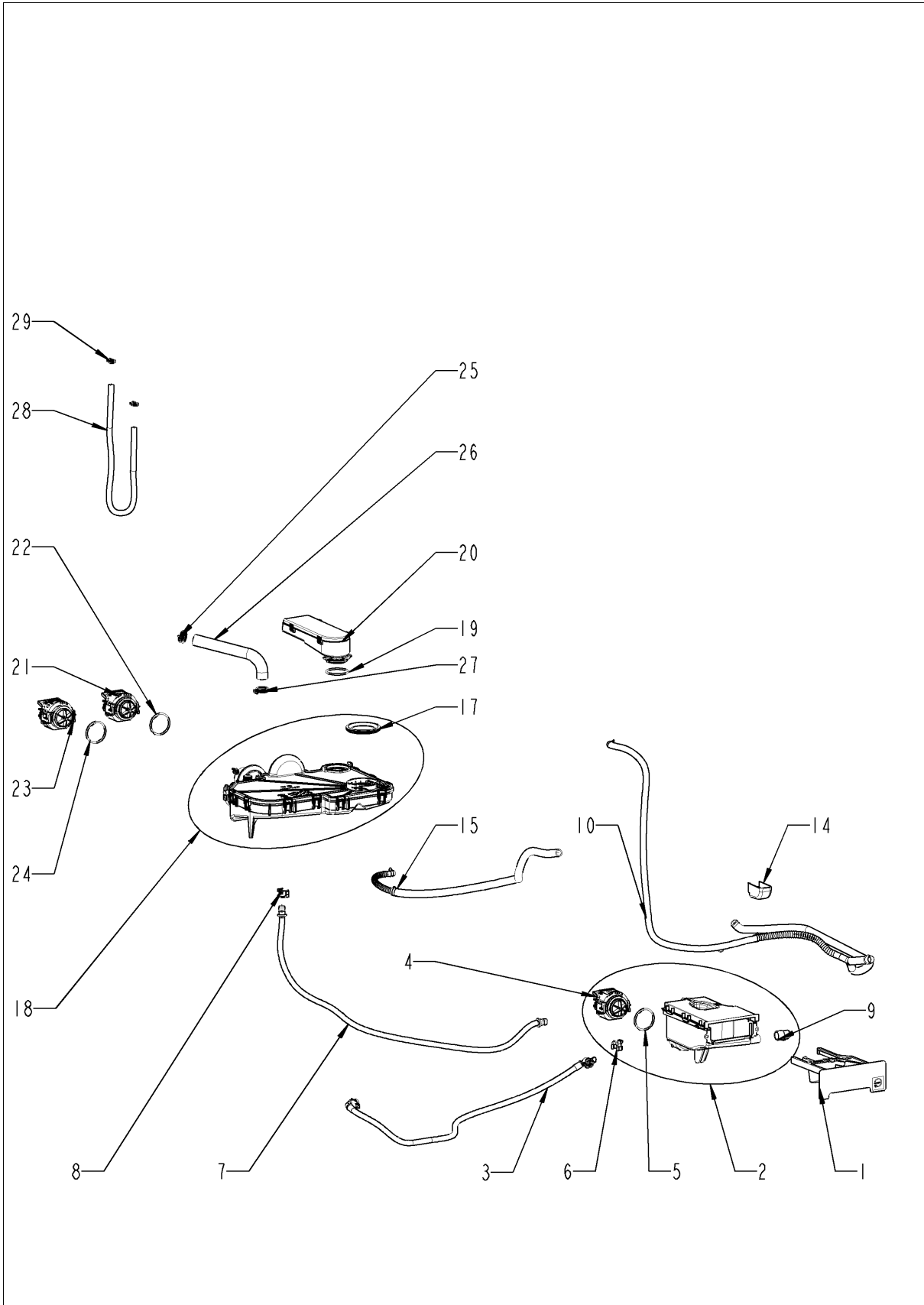
# Water



## Water

Pos.	Part no.	Description	Qty.
1	54.01.629P	Ventilation pipe	1
2	10.01.262P	Hose clamp 76 mm	1
3	54.01.729S	Rubber form piece venting pipe	1
4	10.01.686P	Hose clamp Ø82mm	1
5	2067.0709P	Hose for water supply 2500mm	1
6	50.02.112P	Locking plate f. water distribution	1
7	50.02.102P	Solenoid valve triple	1
9	50.00.085P	Plug-in spring f. hand shower roll guide	1
10	52.00.106S	Connect. hose f. hand shower roll guide	1
11	50.00.085P	Plug-in spring f. hand shower roll guide	1
12	52.00.096P	Hand shower roll guide	1
14	50.00.156P	Clamp f. hand shower roll guide	1
15	52.00.127S	Hand shower black	1
16	54.01.895S	Inspection lid, B2	1
17	54.01.168P	Gasket f. inspection lid	1

# CleanJet + Care

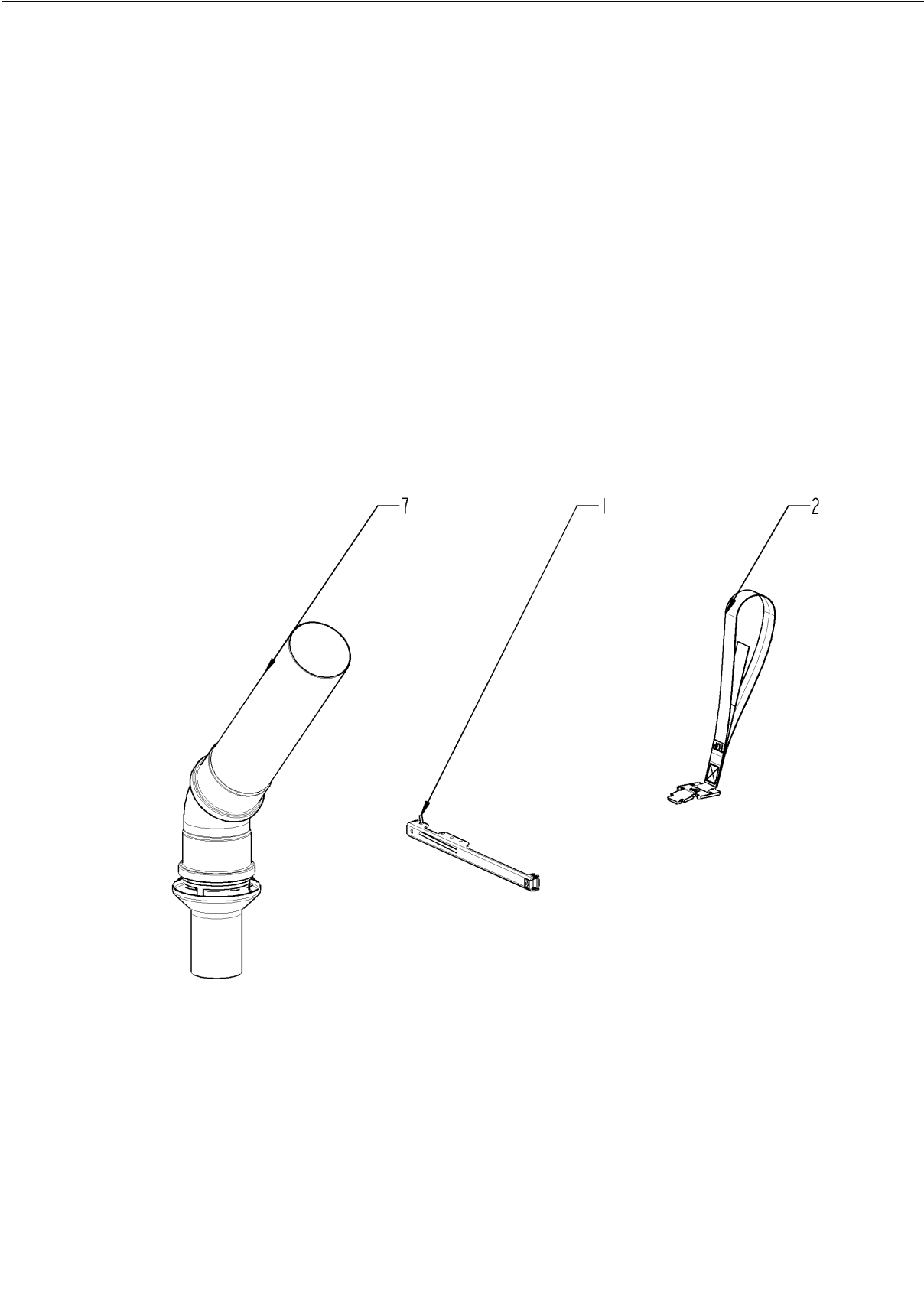




## CleanJet + Care

Pos.	Part no.	Description	Qty.
1	56.00.952P	Drawer Care container	1
2	56.01.466P	Care container with pump	1
3	50.02.131P	Supply hose for "Care box"	1
4	56.01.028P	Pump f. CareControl	1
5	56.01.631P	O-ring for pump	1
6	10.01.703P	Locking ring 16 mm	1
7	56.01.506S	Care hose	1
8	10.01.703P	Locking ring 16 mm	1
9	56.00.752P	Hose fitting EPDM-70ShA	1
10	56.01.518P	Drain hose set, humidity control, unit drip collector	1
14	56.01.245P	Cap for door mounting support bottom	1
15	56.01.449S	Drain hose	1
16	10.00.982P	Hose clamp D=18.2	1
17	56.01.461P	Gasket DN60	1
18	56.01.486P	Cleaning box	1
19	56.01.481P	O Ring emergency overflow	1
20	56.01.454S	Emergency overflow cleaning box	1
21	56.01.017P	Waste water pump Cleaning box	1
22	56.01.631P	O-ring for pump	1
23	56.01.020P	Pump f. cleaning	1
24	56.01.631P	O-ring for pump	1
25	2066.0521P	Hose clamp 27mm	1
26	56.01.677P	CleanJet hose	1
27	2066.0521P	Hose clamp 27mm	1
28	56.01.627S	Silicone hose with hose clamps	1
29	10.01.994P	Hose clamp 15.88 mm	2

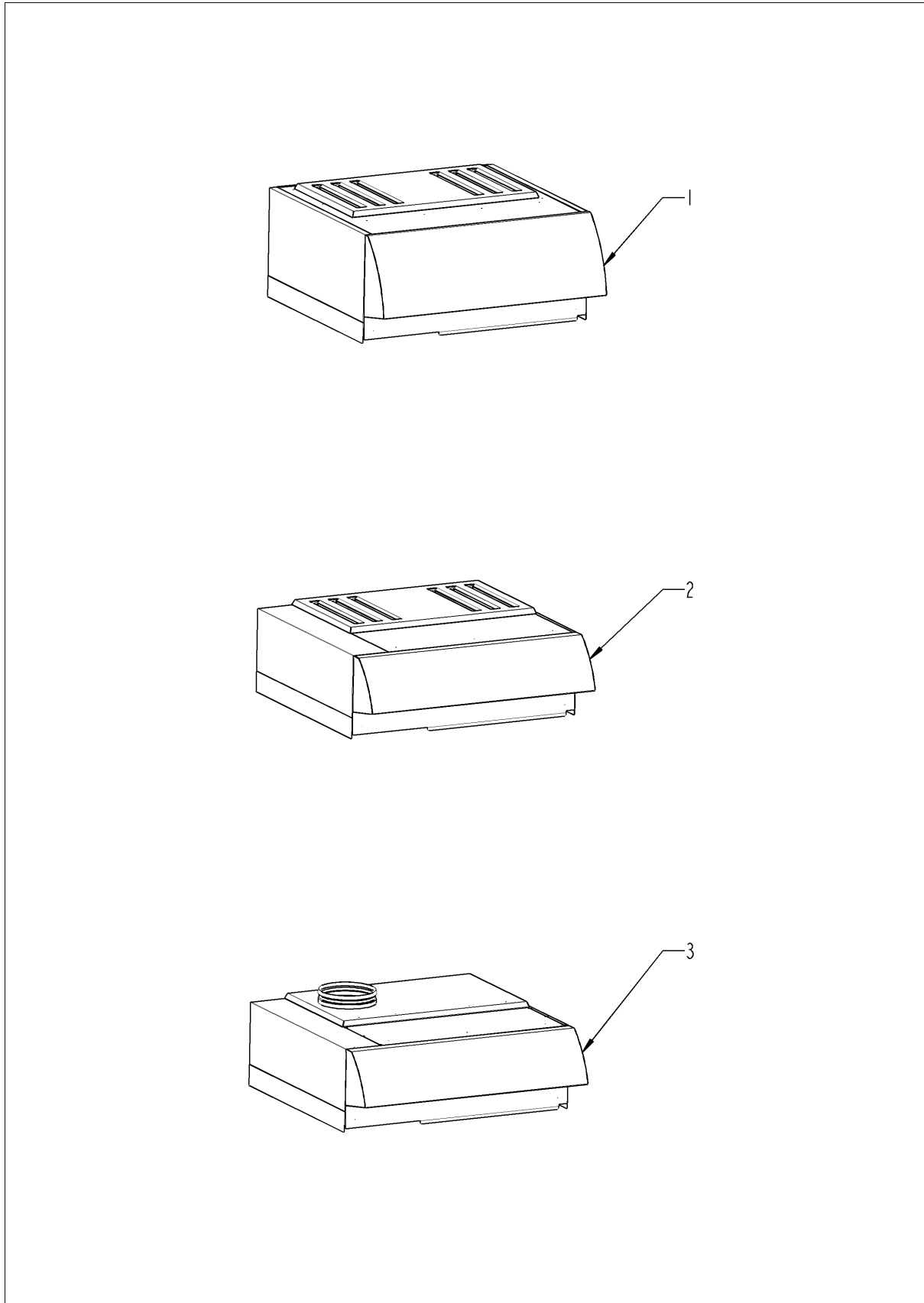
## Standard accessory



## Standard accessory

Pos.	Part no.	Description	Qty.
1	60.71.022P	Positioning support f. core sensor	1
2	91.01.135P	Carrying strap	1
7	60.72.591	Condensation breaker	1
8		Exhaust hood	1

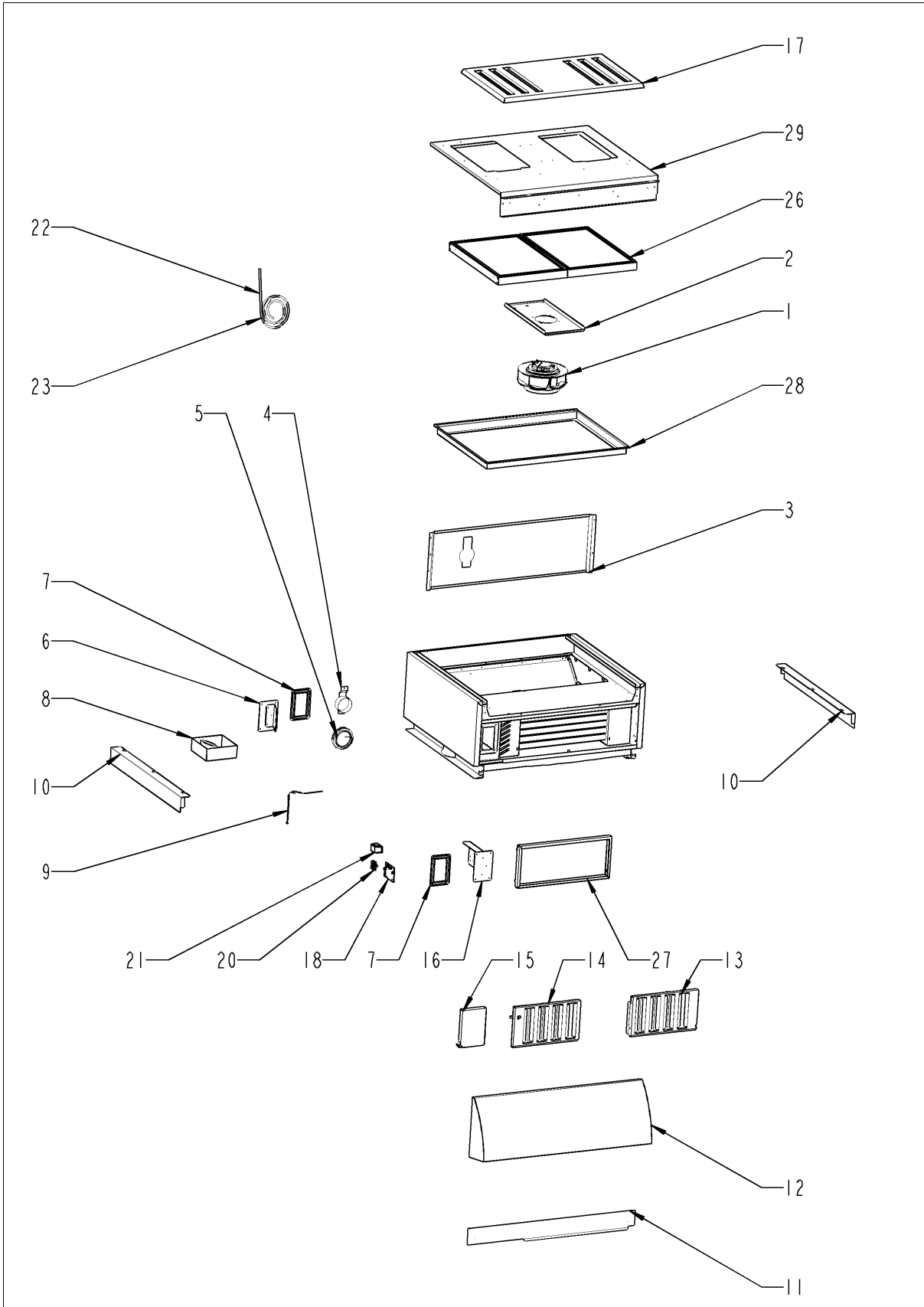
## Exhaust hood



## Exhaust hood

Pos.	Part no.	Description	Qty.
1		UltraVent Plus	1
2		UltraVent	1
3		Extractor hood	1

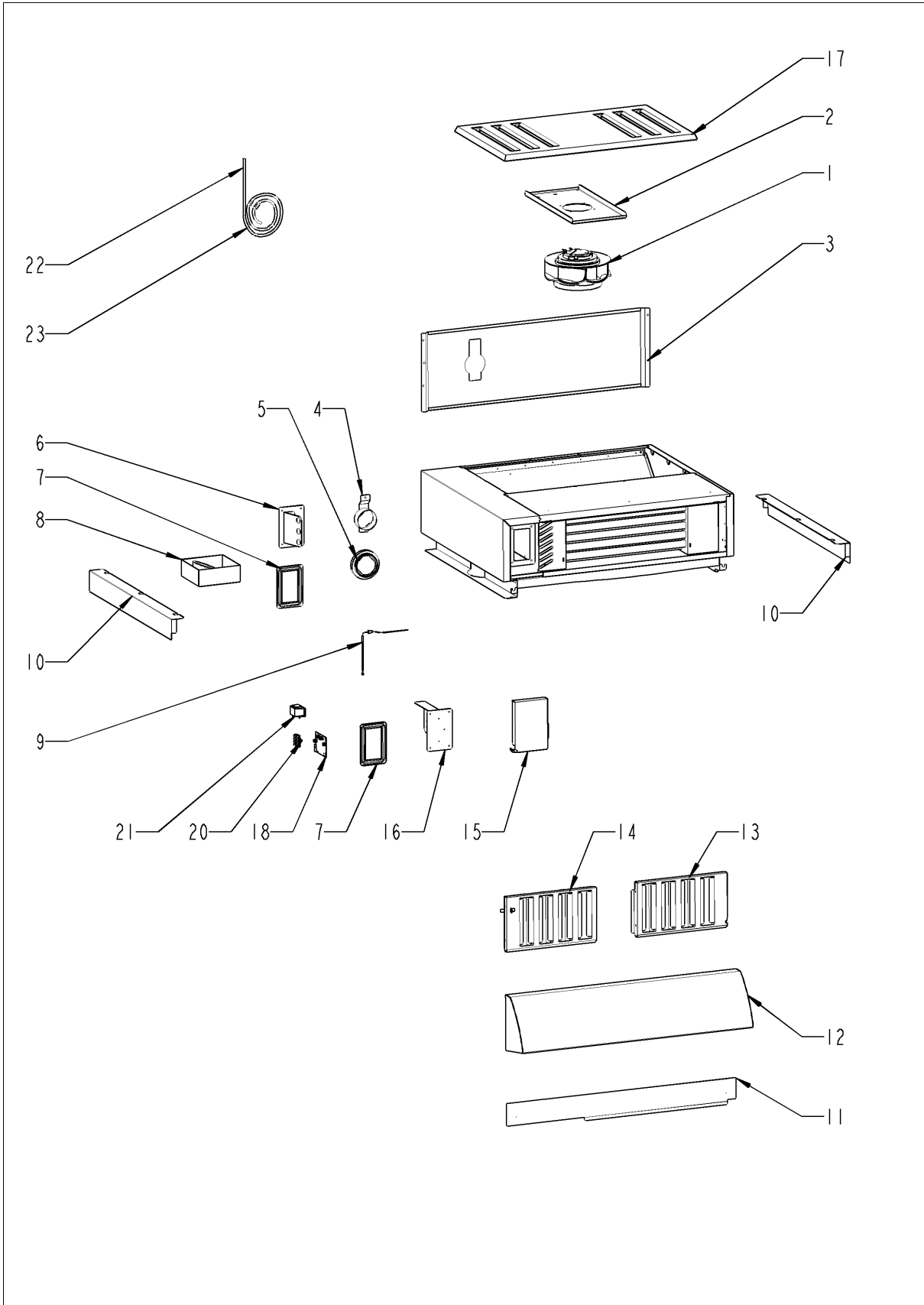
# UltraVent Plus



## UltraVent Plus

Pos.	Part no.	Description	Qty.
1	60.74.890S	Blower motor for Ultravent	1
1	60.74.889S	Blower motor for Ultravent	1
2	60.75.179S	Motor mounting plate	1
3	60.75.216S	Heat protection plate	1
4	60.75.215S	Closure Combi-Duo 70mm	1
5	60.75.156P	Gasket 70mm	1
6	60.75.171S	Electrical box cover back	1
7	60.75.212P	Electrical box seal	1
8	60.75.160P	Condensate collector 70mm	1
9	40.05.995P	Thermocouple	1
10	60.75.170P	side panels	1
11	60.75.173S	Front panel	1
12	60.75.198S	Front hood	1
13	60.75.183P	Baffle plate filter right	1
14	60.75.200P	Baffle plate filter left	1
15	60.75.209P	Electrical box cover	1
16	60.75.175S	Electric box cover front	1
17	60.75.205S	IPX5 Coverage	1
18	42.00.308S	Control pcb	1
19	60.76.574P	spacer CPU	1
20	60.76.447S	Connection terminal	1
21	60.76.448S	power chokes	1
21	60.76.449P	Capacitors	1
22	40.06.597P	Bus cable	1
24	87.01.781S	Thermocouple	1
26	60.75.210P	HEPA filtert two-pack	1
27	60.75.213P	Prefilter metal mesh	1
28	60.76.528S	Pressure frame HEPA filtert	1
29	60.76.527S	filter cassette clp.	1
30	42.00.309S	Adapter pcb f. UVP	1
31	60.75.211P	Hose set Filter detection	1

# UltraVent

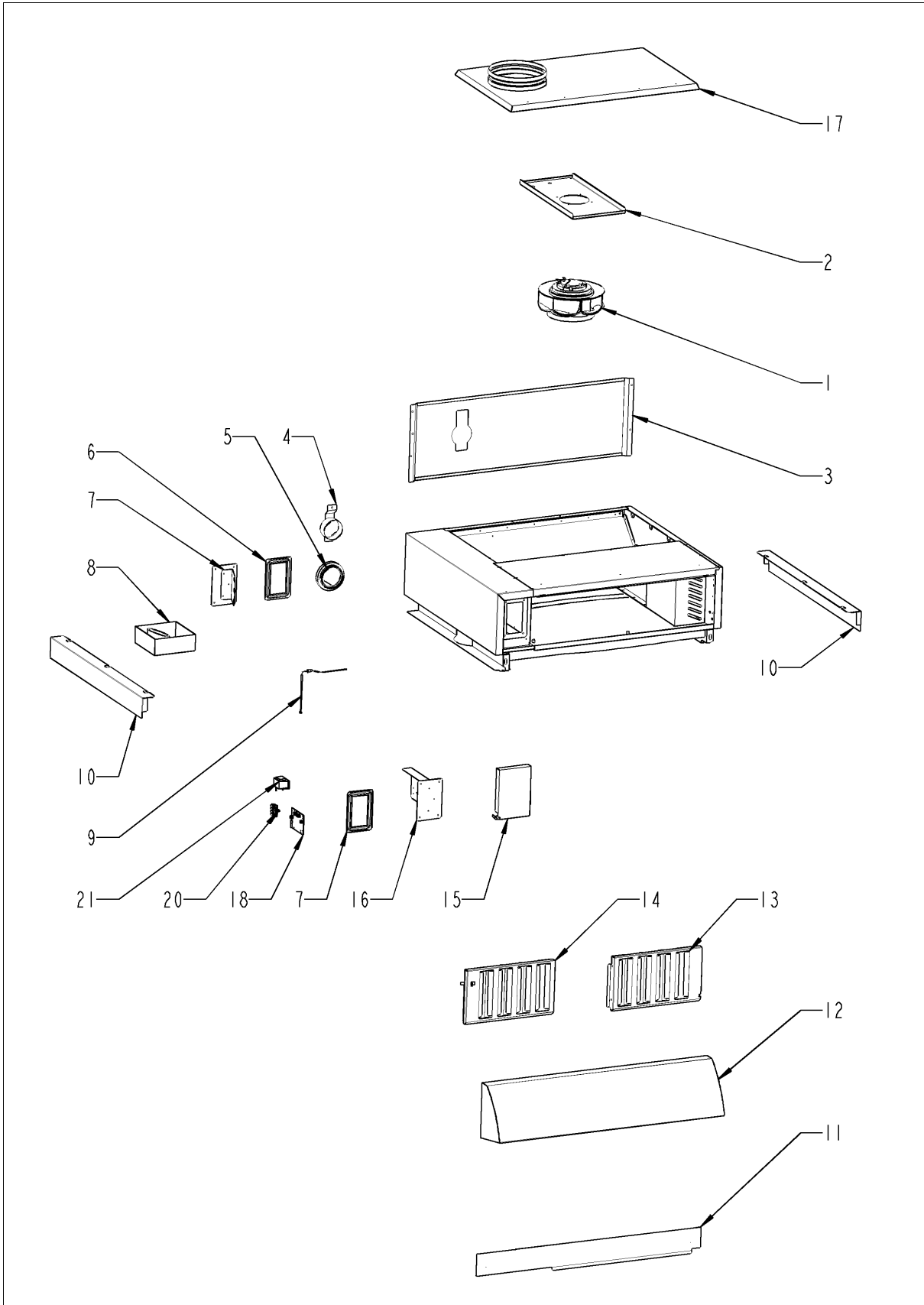




## UltraVent

Pos.	Part no.	Description	Qty.
1	60.74.890S	Blower motor for Ultravent	1
1	60.74.889S	Blower motor for Ultravent	1
2	60.75.179S	Motor mounting plate	1
3	60.75.216S	Heat protection plate	1
4	60.75.215S	Closure Combi-Duo 70mm	1
5	60.75.156P	Gasket 70mm	1
6	60.75.171S	Electrical box cover back	1
7	60.75.212P	Electrical box seal	1
8	60.75.160P	Condensate collector 70mm	1
9	40.05.995P	Thermocouple	1
10	60.75.170P	side panels	1
11	60.75.173S	Front panel	1
12	60.75.194S	Front hood	1
13	60.75.183P	Baffle plate filter right	1
14	60.75.200P	Baffle plate filter left	1
15	60.75.209P	Electrical box cover	1
16	60.75.175S	Electric box cover front	1
17	60.75.204S	IPX5 Coverage	1
18	42.00.308S	Control pcb	1
19	60.76.574P	spacer CPU	1
20	60.76.447S	Connection terminal	1
21	60.76.448S	power chokes	1
21	60.76.449P	Capacitors	1
22	40.06.597P	Bus cable	1
24	87.01.781S	Thermocouple	1

# Extractor hood



## Extractor hood

Pos.	Part no.	Description	Qty.
1	60.74.889S	Blower motor for Ultravent	1
1	60.74.890S	Blower motor for Ultravent	1
2	60.75.179S	Motor mounting plate	1
3	60.75.216S	Heat protection plate	1
4	60.75.212P	Electrical box seal	1
5	60.75.156P	Gasket 70mm	1
6	60.75.171S	Electrical box cover back	1
7	60.75.212P	Electrical box seal	1
8	60.75.160P	Condensate collector 70mm	1
9	40.05.995P	Thermocouple	1
10	60.75.170P	side panels	1
11	60.75.173S	Front panel	1
12	60.75.194S	Front hood	1
13	60.75.183P	Baffle plate filter right	1
14	60.75.200P	Baffle plate filter left	1
15	60.75.209P	Electrical box cover	1
16	60.75.175S	Electric box cover front	1
17	60.76.467S	Exhaust air plate	1
18	42.00.308S	Control pcb	1
19	60.76.574P	spacer CPU	1
20	60.76.447S	Connection terminal	1
21	60.76.448S	power chokes	1
21	60.76.449P	Capacitors	1
22	40.06.597P	Bus cable	1
24	87.01.781S	Thermocouple	1

## Index

Part no.	Description	Page
24.03.057P	Abrasion protection for glide socket .....	25
42.00.309S	Adapter pcb f. UVP .....	39
22.01.340P	Air baffle .....	21
40.05.424P	Air inlet filter cpl. ....	11, 27
87.01.553S	Air inlet pipe .....	13
40.06.565P	Air shaft cpl. ....	7
16.03.394P	Back panel, left .....	29
16.04.086P	Back panel, right .....	29
60.75.200P	Baffle plate filter left .....	39, 41, 43
60.75.183P	Baffle plate filter right .....	39, 41, 43
56.01.432P	Base panel left .....	27
56.01.208P	Base panel right .....	27
60.74.890S	Blower motor for Ultravent .....	39, 41, 43
60.74.889S	Blower motor for Ultravent .....	39, 41, 43
14.00.937P	Bracket for door contact switch .....	27
40.06.597P	Bus cable .....	39, 41, 43
40.05.858P	Bus cable 1.08m .....	7
40.05.895P	Bus cable 1.16m .....	7
40.07.146P	Bus cable 1.35m .....	7
40.00.391S	Cable bushing f. cable entry .....	7
40.00.320P	Cable connection M20x1.5 .....	7
40.04.495P	Cable connection M25 ø5mm *divisible* .....	7
40.06.057P	Cable control harness .....	7
87.01.620S	Cable entry .....	7
40.06.624P	Cable harness base .....	7
40.06.878P	Cable holder .....	7
40.06.080P	Cable, interior light W40 *door lighting* .....	25
56.01.245P	Cap for door mounting support bottom .....	23, 33
10.01.076P	Cap nut M5*A2 .....	17, 19, 21, 27
50.02.309P	Cap nut M10x1 .....	17
60.76.449P	Capacitors .....	39, 41, 43
56.01.466P	Care container with pump .....	33

## Index

<b>Part no.</b>	<b>Description</b>	<b>Page</b>
56.01.506S	Care hose .....	33
91.01.135P	Carrying strap .....	35
50.00.156P	Clamp f. hand shower roll guide .....	31
10.00.087P	Clamp strap f. sensor .....	21
56.01.486P	Cleaning box .....	33
56.01.677P	CleanJet hose .....	33
60.75.215S	Closure Combi-Duo 70mm .....	39, 41
2001.0109P	Compression spring .....	23
60.75.160P	Condensate collector 70mm .....	39, 41, 43
60.72.591	Condensation breaker .....	35
52.00.106S	Connect. hose f. hand shower roll guide .....	31
60.76.447S	Connection terminal .....	39, 41, 43
40.06.453P	Contactora K3-10NBV10 190R T B01 AZ .....	9
42.00.308S	Control pcb .....	39, 41, 43
42.00.292P	Control pcb (w/o Eeprom) .....	5
40.05.993P	Cooling fan .....	7
1315.0104P	Copper washer 16x20x1,5 .....	21
10.01.755P	Countersunk screw M5x20 A2 .....	23, 27, 29
1003.2265P	Countersunk self tapping screw 4,2x16 .....	29
16.03.735P	Cover f. control pcb w. gasket .....	5
24.04.598S	Cover for door magnet .....	25
16.04.110P	Cover for door mounting support .....	23
16.04.091P	Crossbar top .....	29
16.03.752P	Dial f. pulse generator .....	5
24.04.101S	Door .....	23
24.03.040P	Door bolt .....	23
24.02.959P	Door catch .....	23
24.05.382P	Door drip collector .....	25
20.02.552P	Door gasket .....	21
24.04.084P	Door handle .....	23
24.03.041P	Door lock with spring U-bolt .....	23
14.01.056P	Door mounting support bottom .....	23

## Index

Part no.	Description	Page
24.04.217P	Door setting bolt .....	25
40.06.664P	Door switch .....	27
56.01.449S	Drain hose .....	33
56.01.518P	Drain hose set, humidity control, unit drip collector .....	13, 33
44.02.221S	Drain hose steam generator .....	15
44.02.231P	Drain hose steam generator .....	15
24.05.345P	Drain seal for door drip collector .....	25
56.00.952P	Drawer Care container .....	33
40.04.640P	Earth terminal WKFN 6 SL/35 .....	9
60.75.175S	Electric box cover front .....	39, 41, 43
60.75.209P	Electrical box cover .....	39, 41, 43
60.75.171S	Electrical box cover back .....	39, 41, 43
60.75.212P	Electrical box seal .....	39, 41, 43
40.06.384P	Electrical mounting plate .....	9
42.00.336P	Electronic noise filter .....	9
44.02.287P	Emergency drainage hose .....	15
56.01.454S	Emergency overflow cleaning box .....	33
56.01.024P	Emptying pump .....	15
40.05.279P	End cover APFN 6 D1/2/35 .....	9
60.76.467S	Exhaust air plate .....	43
42.00.293P	External memory .....	5
87.01.558S	Fan motor .....	19
87.01.560S	Fan motor .....	19
22.01.164S	Fan wheel .....	19
60.76.527S	filter cassette clp. ....	39
24.03.787S	Fixing bracket kit for interior glass pane .....	25
40.03.756P	Fixing clip f. pcb .....	9
24.04.619P	Fixing device f. magnet with magnet .....	25
40.06.053P	Fixing device for safety temperature limiter .....	21
44.02.752P	Fixing plate steam generator thermostat .....	15
22.01.427P	Flange f. motor shaft gasket .....	19
60.75.198S	Front hood .....	39

## Index

Part no.	Description	Page
60.75.194S	Front hood .....	41, 43
16.03.631P	Front panel .....	29
60.75.173S	Front panel .....	39, 41, 43
87.01.536S	Front panel with overlay *RAT* .....	5
40.06.767P	Fuse 4A *Typ 5HT 4-R* .....	9
60.75.156P	Gasket 70mm .....	39, 41, 43
56.01.461P	Gasket DN60 .....	33
16.01.434P	Gasket f. breather tube d=73mm .....	27
46.00.284P	Gasket f. heating assembly .....	17
54.01.168P	Gasket f. inspection lid .....	31
12.02.664P	Gasket for base frame .....	27
44.02.200P	Gasket SC pump .....	15
22.01.425P	Graphit seal for gasket flange .....	19
56.01.422P	Grid cover .....	27
44.01.505P	Grommet Ø12x8,2 .....	15
52.00.127S	Hand shower black .....	31
52.00.096P	Hand shower roll guide .....	31
60.75.216S	Heat protection plate .....	39, 41, 43
40.03.931P	Heat sink small 2 SSR .....	7
87.01.556S	Heating assembly with gasket .....	17
60.75.210P	HEPA filtert two-pack .....	39
10.01.065P	Hex nut M5 .....	21
10.00.709P	Hex nut M6 w. locking .....	9, 19
10.01.751P	Hex nut M16 DIN934 A2 .....	21
10.00.109P	Hex screw M5x23 .....	17
10.01.719P	Hex screw M6x12 .....	23
10.00.936P	Hex screw M8x20 .....	19
24.05.303S	Hinge cover .....	25
24.02.958P	Holding bracket f. door catch .....	23
16.03.749P	Hook for parking position .....	5
2066.0205P	Hose clamp 8-16x9 mm SW 7mm .....	15
10.01.994P	Hose clamp 15.88 mm .....	33

## Index

<b>Part no.</b>	<b>Description</b>	<b>Page</b>
2066.0521P	Hose clamp 27mm .....	33
2066.0518P	Hose clamp 30mm .....	15
10.01.262P	Hose clamp 76 mm .....	31
10.00.982P	Hose clamp D=18.2 .....	33
2066.0527P	Hose clamp ø14mm .....	13
10.01.686P	Hose clamp Ø82mm .....	31
56.00.752P	Hose fitting EPDM-70ShA .....	33
2067.0709P	Hose for water supply 2500mm .....	31
22.00.525P	Hose set f. humidity control .....	13
60.75.211P	Hose set Filter detection .....	39
50.02.117P	Hose, water supply, steam generator .....	15
22.01.402P	Humidity control cpl. ....	13
24.04.331S	Inner door pane .....	25
54.01.895S	Inspection lid, B2 .....	31
40.06.409P	Interface cable LAN 1.5m .....	5
40.06.043P	Interface USB .....	7
24.02.960P	Interlocking tooth screw M5x6 .....	23
40.05.919P	IO-module .....	9
60.75.205S	IPX5 Coverage .....	39
60.75.204S	IPX5 Coverage .....	41
20.02.807P	Isolation for mounting plate for motor .....	19
87.01.551S	Kit Steam generator insulated .....	15
87.01.578S	LED bar .....	25
87.01.586S	LED optics .....	25
24.04.211P	Lock cover .....	23
50.02.112P	Locking plate f. water distribution .....	31
10.01.703P	Locking ring 16 mm .....	33
10.01.707P	Locking ring 25mm .....	15
40.06.728P	Loudspeaker K 64 WPTR .....	11
46.00.285P	Mating flange f. heating assembly .....	17
40.06.377P	Meat probe sensor .....	21
16.03.748P	Metal cramp f. panel insert .....	5



## Index

Part no.	Description	Page
44.02.492S	Molded hose with level electrode .....	15
42.00.276P	Motor control for fan motor .....	19
42.00.277P	Motor control for fan motor .....	19
60.75.179S	Motor mounting plate .....	39, 41, 43
22.00.985P	Motor shaft gasket D15 .....	19
40.05.435P	Mounting device f. pressure sensor .....	13
40.06.074P	Mounting device heat sink SSR .....	7
22.01.423P	Mounting support f. gasket flange .....	19
40.04.953P	Mounting support for pump pcb .....	9
40.05.968P	Mounting support power transformer .....	7
56.01.481P	O Ring emergency overflow .....	33
10.01.694P	O-ring for humidity control .....	13
56.01.631P	O-ring for pump .....	33
1008.0768P	Ornamental screw M8x16 .....	23
1008.0769P	Ornamental screw M8x30 .....	7
56.01.491P	Outlet sieve .....	21
10.01.266P	Pan head screw Torx T20 10,5mm .....	7
10.01.776P	Pan head screw Torx T20 M4x12 .....	7
56.01.419P	Plastic cap .....	27
24.05.458P	Plastic spreader rivet .....	25
50.00.085P	Plug-in spring f. hand shower roll guide .....	31
60.71.022P	Positioning support f. core sensor .....	35
60.76.448S	power chokes .....	39, 41, 43
40.06.742P	Power supply cable 5x4 mm <sup>2</sup> 3m .....	7
60.75.213P	Prefilter metal mesh .....	39
60.76.528S	Pressure frame HEPA filtert .....	39
3017.1011P	Pressure sensor Huba 401 .....	13
40.06.037P	Pulse generator .....	5
56.01.028P	Pump f. CareControl .....	33
56.01.020P	Pump f. cleaning .....	33
40.06.625P	Pump harness .....	7
44.02.179S	Pump housing .....	15

## Index

<b>Part no.</b>	<b>Description</b>	<b>Page</b>
42.00.273P	Pump pcb .....	9
10.00.515P	Rivet 3,2x6.8 A2/NSF .....	21
1604.0161P	Rivet 4x6 CNS .....	25
10.00.904P	Rivet B4x8 .....	25
10.00.989P	Rivet with screw .....	7, 9, 25, 27
54.01.729S	Rubber form piece venting pipe .....	31
87.01.542S	Safety device / water supply for steam generator .....	15
40.06.683P	Safety temperature limiter .....	21
40.06.098P	Screen for safety temperature limiter .....	21
40.05.489P	Screen interior cabinet sensor .....	21
16.04.062P	Sealing block .....	5
16.03.701P	Sealing block LAN .....	5
10.00.991P	Sealing cap .....	17
16.03.342P	Sealing f. panel insert .....	5
16.03.397P	Side panel left .....	29
16.04.077P	Side panel right .....	29
60.75.170P	side panels .....	39, 41, 43
24.00.171P	Silicone buffer 7mm for door .....	25
56.01.627S	Silicone hose with hose clamps .....	33
24.03.056P	Slide bush for door .....	25
1104.0820P	Snap nut 4,2mm .....	29
50.02.102P	Solenoid valve triple .....	31
40.05.840P	Solid state relais .....	7
60.76.574P	spacer CPU .....	39, 41, 43
24.03.764P	Spacer for door .....	25
87.01.438	Spacer kit for glass pane .....	25
50.02.131P	Supply hose for "Care box" .....	33
44.02.227S	Supply hose safety armature .....	15
40.06.112P	Temperature sensor eSTB .....	21
40.06.131P	Temperature sensor eSTB 240mm .....	15
40.05.277P	Terminal block blue WKFN6/35 .....	9
40.05.260P	Terminal block WKFN 6 D1/2/35 grey .....	9

## Index

Part no.	Description	Page
40.05.995P	Thermocouple .....	39, 41, 43
87.01.781S	Thermocouple .....	39, 41, 43
40.06.212S	Thermocouple humidity *B4* .....	21
40.06.224P	Thermocouple interior cabinet B1 .....	21
40.06.227P	Thermocouple steam generator *B5* .....	15
1205.0120P	Tooth lock washer A5,3 .....	27
16.03.380P	Top cover .....	29
40.06.044P	USB socket with cable .....	5
72.00.491P	V Clamp 50mm left .....	15
22.01.409P	Vent cover .....	13, 27
54.01.629P	Ventilation pipe .....	31
1308.0162P	Washer A8,4 .....	19
56.01.521P	Waste water cover .....	27
56.01.017P	Waste water pump Cleaning box .....	33

