

# Model C152 Operator Parts

4

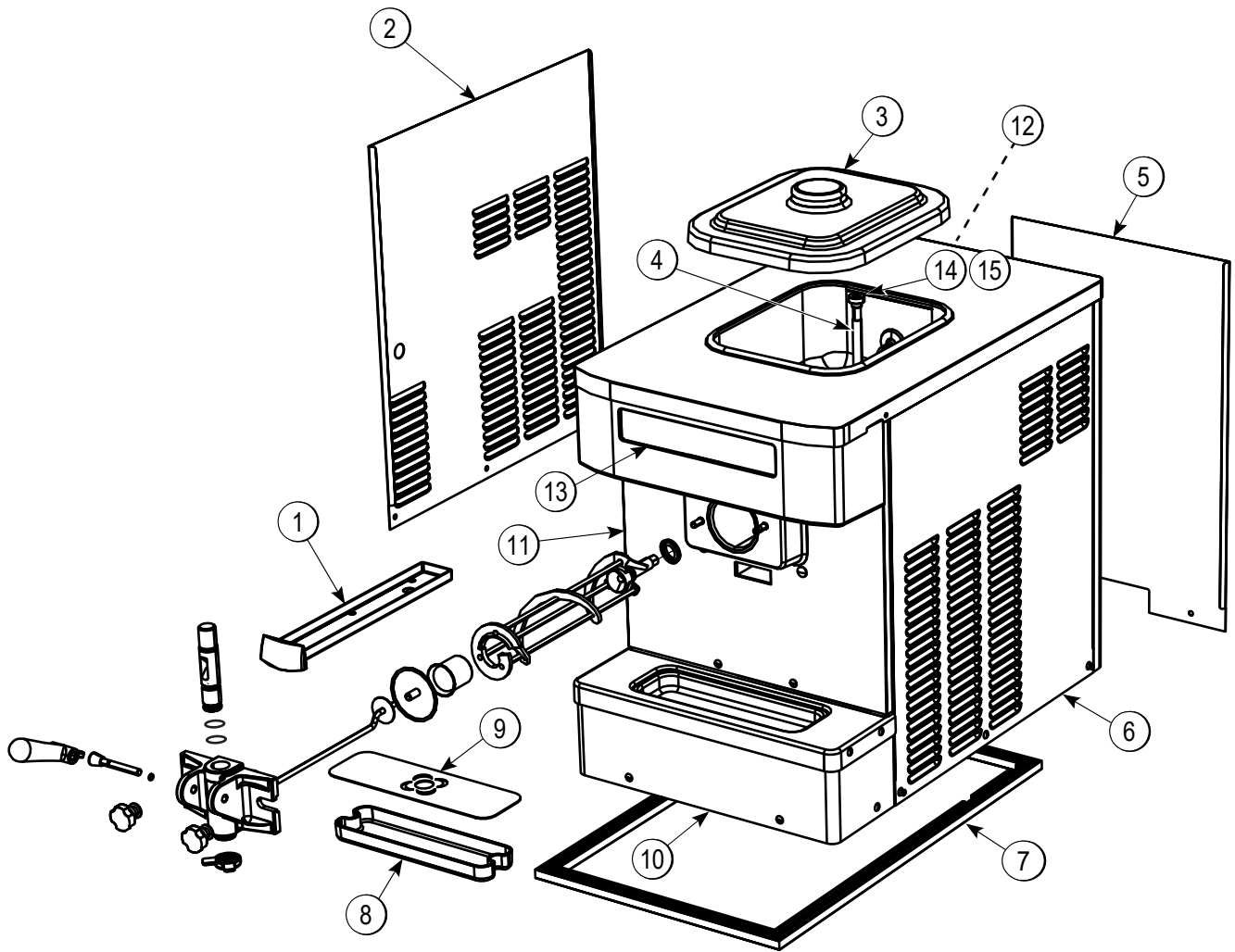


Figure 4-1

Item	Description	Part No.
1	Pan-Drip	085295
2	Panel-Left	086378
3	Cover A.-Hopper	X49633-SP
4	Tube-Feed	035819
5	Panel-Rear	086376
6	Panel-Right	086377
7	Gasket-Base Pan	086306
8	Tray-Drip	086312

Item	Description	Part No.
9	Shield-Splash	086379
10	Panel-Lower Front	086380
11	Panel-Front	086384
12	Trim-Corner-Rear	086375
13	Plate-Dec	X85775
14	Air Orifice	022465-100
15	O-ring-3/8 OD x.070W	016137

# Model C152 Service Parts

4

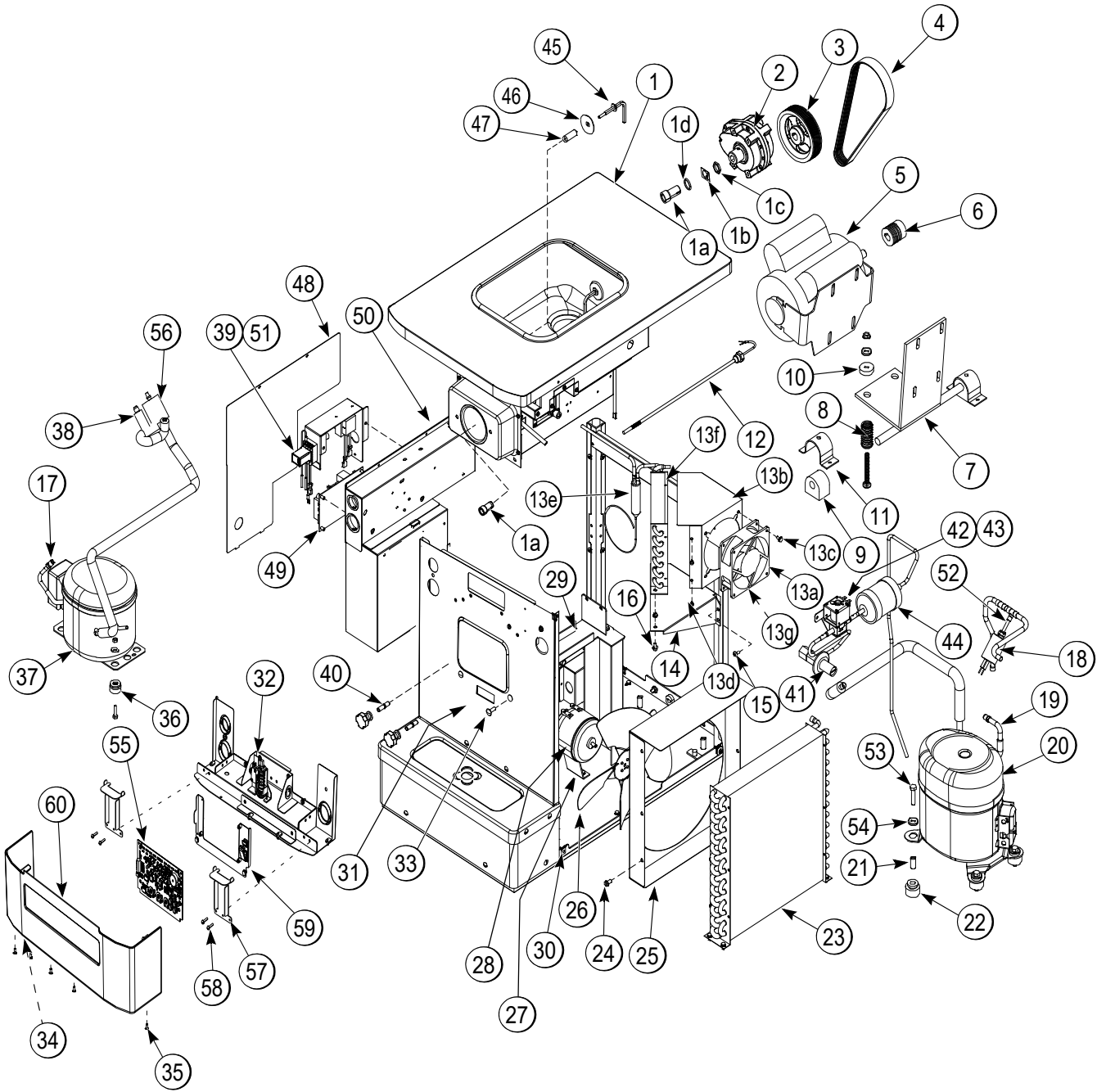


Figure 4-3

## Model C152 Service Parts

Item	Description	Part No.
1	Shell A.-Insulated	X86356-SER
1a	Bearing-Rear Shell	023648
1b	Tab-Bearing Lock	025027
1c	Nut-Rear Bearing	023647
1d	Collar-Bearing-Rear	025564
2	Gear A.-*Reducer 4 to 1	025770-SER
3	Pulley-10J-4.50PD-5/8B	030455
4	Belt-Poly V-280J10	025776
5	Motor-1/2 HP	059742-12
6	Pulley-10J-1.5 PD-5/8 Bore	025479
7	Hinge A.-Motor	X25896
8	Spring-Comp .970 x .115 x 2.00	025707
9	Bushing-Rubber Mount	012258
10	Cap-Rubber Mount	011844
11	Clamp-Mounting	012257
12	Switch A.-Reed Interlock Door	X65658-5
13	Motor A.-Condenser Fan (Includes Items 13A to 13G)	X86552-12
13a	Motor-Fan	062253-12
13b	Shroud-Condenser	051542-SP
13c	Screw-10-32 x 3/8 UNSL HWH	039381
13d	Screw-8 x 1/4 SLTD Hex	009894
13e	Dryer-Cap. Tube .026 ID x 8	048725
13f	Condenser-AC 7 x 6 x 1.25	027155
13g	Harness-Wire Danfoss	086253
14	Mount-Condenser *C152*	086362
15	Screw-10-24X1/2 Torx	002077
16	Screw-10-32X3/8 Serrated	075985
17	Valve-Access-1/4 MFL x 1/4	047016
18	Switch-Pressure 440 psi	048230
19	Valve-Access-1/4 FL x 3/8	044455
20	Compressor	049302-12
21	Sleeve-MT-Comp AE	039920
22	Grommet-Compressor MT	039919

Item	Description	Part No.
23	Condenser-AC 12L x14H x 1.87T 3RW	046556
24	Screw-10 x 3/8 Slotted Hex	015582
25	Shroud-Fan	086381
26	Fan-4 Blade 11" Push 30	027818
27	Bracket-Fan	025631
28	Motor-Fan	027817-12
29	Guide A.-Drip Pan	X86354
30	Fastener-Clip 10-32 U-Type CR3	064719
31	Panel A.-Front	086384
32	Channel A.-Control	X86366 See page 4-17
33	Bolt-Carriage 1/4-20x3/4	012347
34	Switch-Toggle-4PDT	037394
35	Screw-6-36x3/8 SLTD	002201
36	Kit-Mounting-Compress	047704
37	Compressor	047701-12
38	Valve-Access-1/4 FL x 1/4	044404
39	Relay-DPDT 1MA-7A 1/6HP	052111-03
40	Stud-Nose Cone	013496
41	Valve-EXP-Auto-1/4Sx1/4	046365
42	Valve-Solenoid 7/64ORF	043449-12
43	Bracket-Solenoid	086387
44	Dryer-Filter-HP62-3/8	048901
45	Probe A -Mix *Square*	X30922
46	Disc-Probe *SQ Hole*	030965
47	Spacer-Probe *SQ Hole*	030966
48	Cover-Control Box	086386
49	Board-Power Gen 2	X69574SER1
50	Control A. 115V 60HZ	See page 4-15

## PARTS

---

Item	Description	Part No.
51	Harness-Trans Relay	086256-12
52	Valve-Access-1/4 FL x 1/4	044404
53	Screw-5/16-18x1-1/2 Hex	001894
54	Washer-5/16 USS Flat CR3	000651
55	Board-Logic-Gen 2.11	X69571SER3
56	Valve-EPR 1/4S	022665
57	Bracket-DEC-Plate	087311
58	Screw-8 x 1/4 SLTD Hex	009894
59	Plate-Mounting-Board	085565
60	Plate-A DEC	X85775

# Beater Door Assembly Model C152

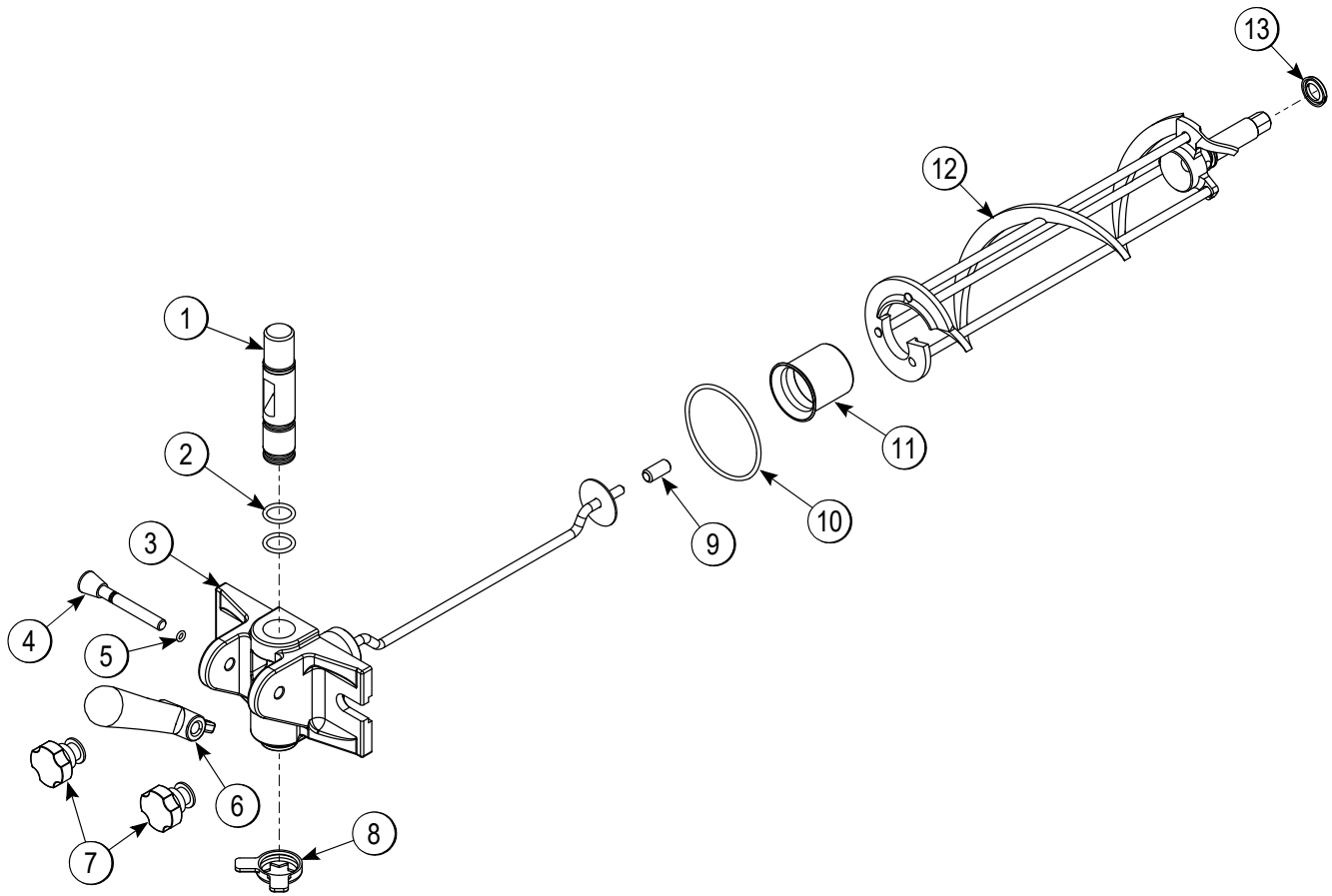
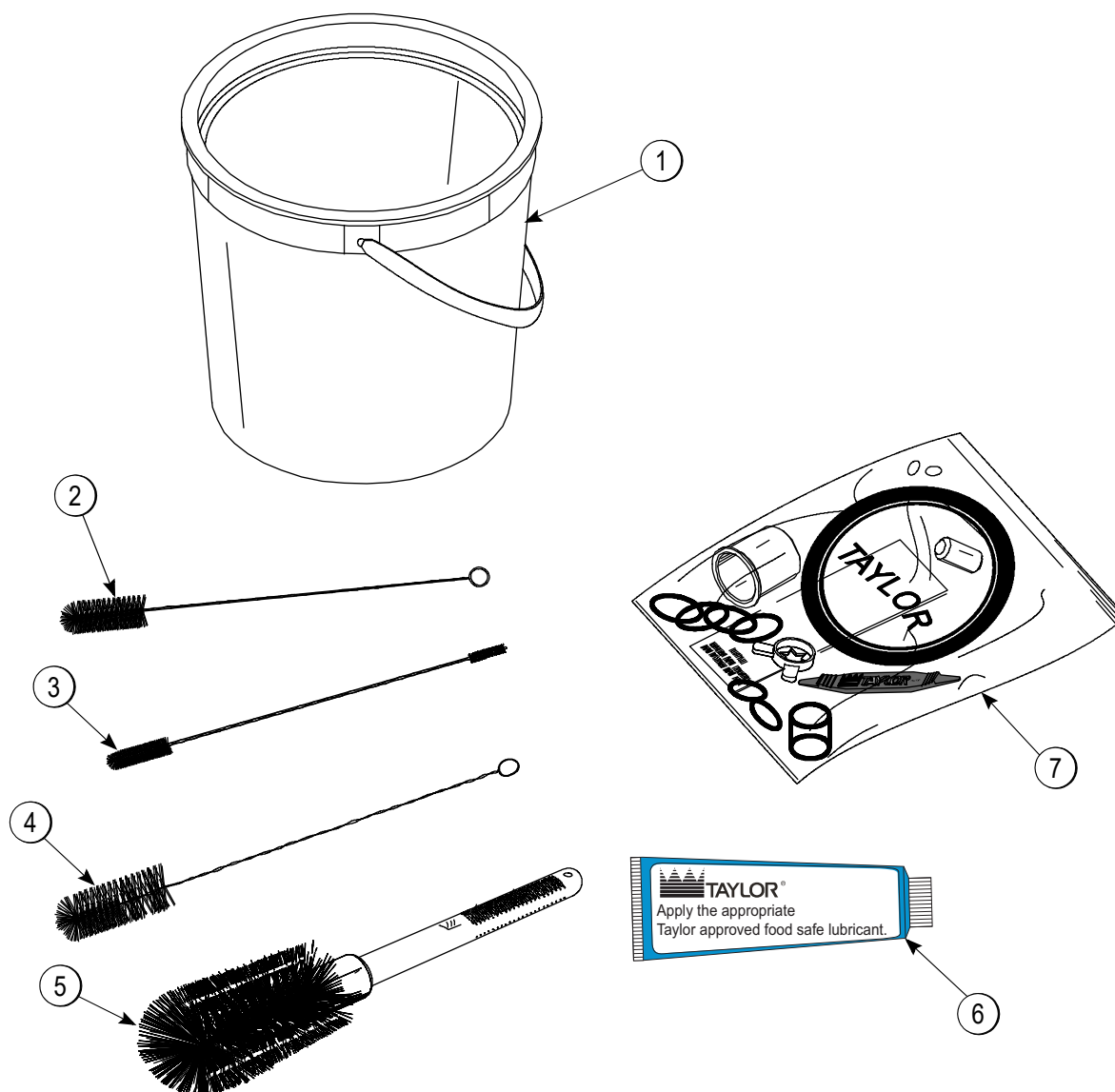


Figure 4-5

Item	Description	Part No.
1	Valve-Draw	024763-SP1
2	O-ring-7/8 OD x.103W	014402
3	Door A.-3SPT 1.5qt VALOX	X86373-SER
4	Pin A.-Pivot-Short	X86374
5	O-ring-5/16 OD x.070W	016272
6	Handle-Draw	085615
7	Nut-Stud	034829-SP

Item	Description	Part No
8	Cap-Design 1.010"ID-6 PT.	014218
9	Bearing-Guide	014496
10	O-ring-2-3/4 OD x .139W	019998
11	Bearing-Front	023262
12	Beater A.	X24689
13	Seal-U-Cup	080534

## Accessories Model C152



4

Figure 4-7

Item	Description	Part No.
1	Pail-6-qt.	023348
2	Brush-Rear BRG 1" D x 2" LG	013071
3	Brush-Double-Ended	013072
4	Brush-Draw-Valve-1" OD x 2" x 17"	013073
5	Brush-Mix-Pump-Body-3"x7" White	023316

Item	Description	Part No.
6	Lubricant-Taylor-4-oz.	047518
7	Kit A.-Tune-Up	X25802
*	Sanitizer Kay-5 25 PKTS	See Note

\*NOTE: A sample container of sanitizer is sent with the machine, for reorders, order Kay-5<sup>®</sup> part No. 041082 (200 packs) or Stera-Sheen<sup>®</sup> part no. 055492 (100 2 oz. packs).

# X86420-12—Control A. 115V 60HZ (Model C152)

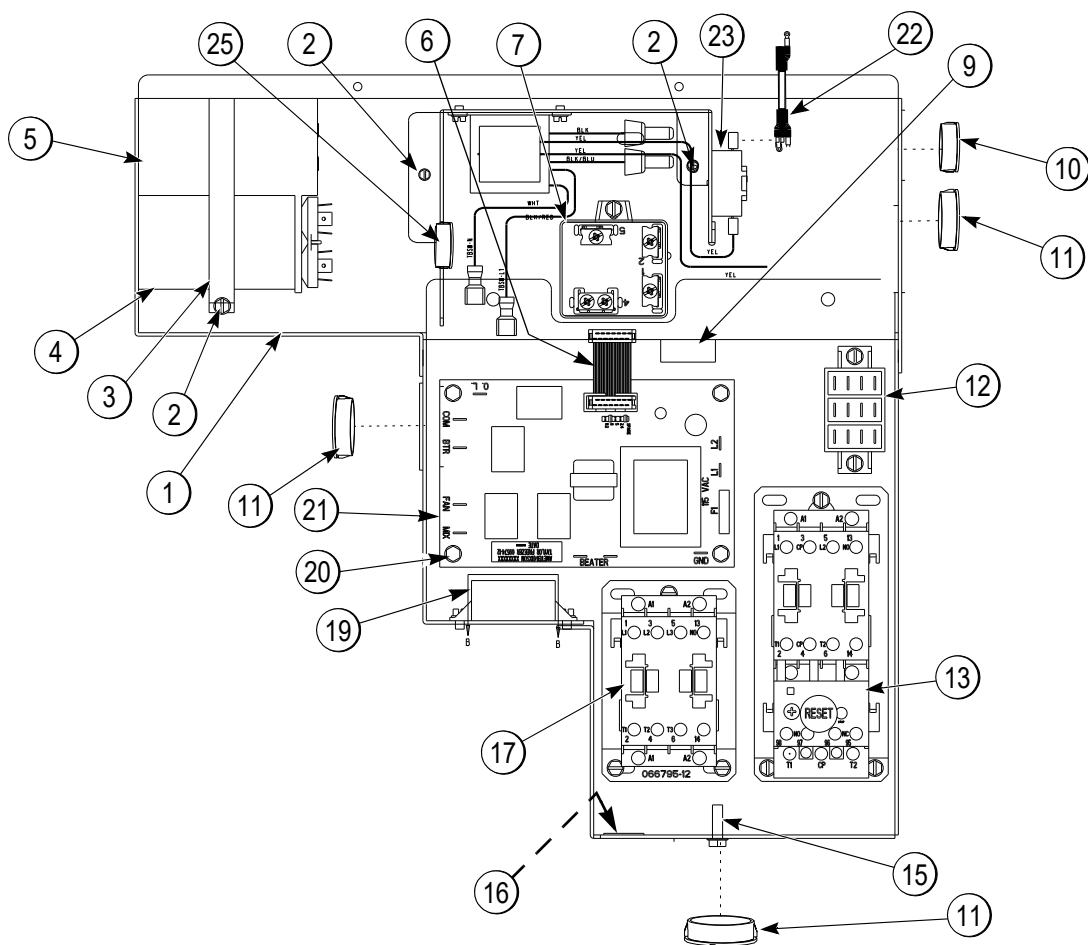


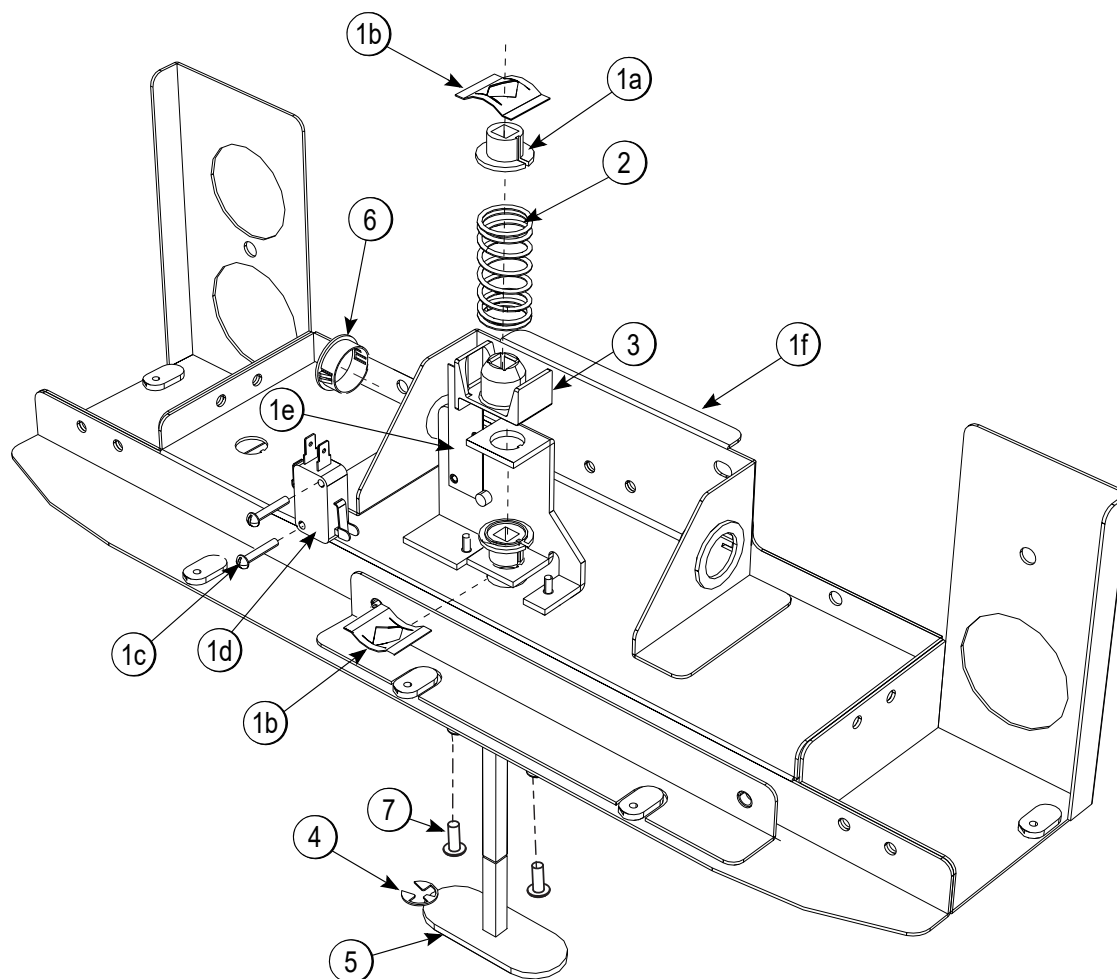
Figure 4-9

Item	Description	Part No.
1	Box A.-Control *C152*	X86416
2	Screw-8x1/4 SLTD Hex Washer	009894
3	Strap-Capacitor 5-5/8 in.	030258
4	Capacitor-Run - 25UF/370V	023739
5	Capacitor-Start-72-88UF/250V	039557-27
6	Cable-Ribbon - PWR/RLY	069473-36
7	Relay-Start-Compressor	045432-12
*8	Harness-Wire Cap/Relay *C152*	086254
9	Clamp-Cable-Flat Ribbon	046367
10	Bushing-Snap 1 ID x 1-1/4OD BL	600288
11	Bushing-Snap 1-5/16IDX1-1/2OD	017008
12	Block-Terminal 3 Pole	051331
13	Starter-1 Phase-4.0 to 6.5 Amp	066794-12J

Item	Description	Part No.
*14	Harness-Wire BTR MTR *C152*	086255
15	Screw-10-32x5/8 Taptite Hex HD	039382
16	Label-Protective Earth Ground	017669
17	Relay-3 Pole 115V	066795-12
*18	Harness-Wire Control Box*C152*	086257
19	Block-Terminal 1 Pole	073423
20	Screw-6-32X5/8 Taptite Hex HD	041363
21	Board-Power-GEN 2	069574-12
22	Harness A.-Wire-Main Power	X86554-12
23	Relay A.-Door Interlock *C152*	X86626-12
*24	Nut-10-32 Whiz Flange Locknu	020983
25	Bushing-Split 51/64ID x 1-1/	037491

\* Not Shown

# X86366 Control A.-Channel (Model C152)



4

Figure 4-11

Item	Description	Part No.
1	Switch A.-Draw (Includes Items 1a-1f)	X55234
1a	Bearing-Switch	029244
1b	Nut-Push On-1/2DIA. Shaft	039735
1c	Screw-4-40x5/8 SLTD	027219
1d	Switch-Lever-SPDT	027214
1e	Insulator-Switch 1/64	029099

Item	Description	Part No.
1f	Bracket-Switch	035524
2	Spring-Comp.720x.063X2.00	023664
3	Actuator-Switch-Plastic	035609
4	E-ring-1/4 IN-ZD	034962
5	Arm A.-Switch	X30736
6	Bushing-Snap 15/16 ID x 1-3/32	010548
7	Screw-6-32x3/8 SLTD	002201