



The Best Choice



HOOD-TYPE DISHWASHER
AM650





PERFECT WASH RESULT

Wide angel nozzle fan

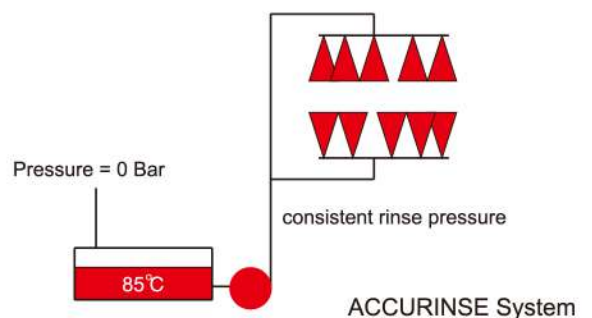
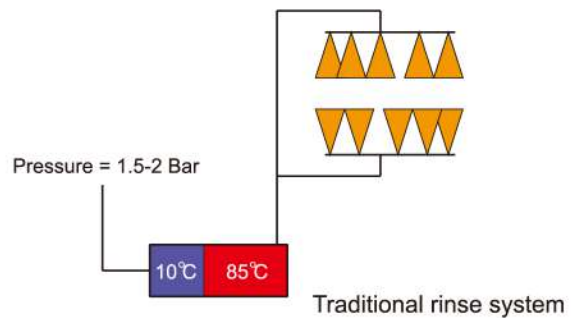
Wash efficiency largely depends on the distribution of the wash water and on avoiding any masked areas. Spray angles and the precision of the wash jets are vital factors in achieving a powerful, searching wash action and the patented Wide Angle Nozzle FAN provide a substantially broader and more precise spray pattern. Compared with conventional wash arm systems, the wash water is distributed more efficiently, masking is avoided and the wash result, especially in the corners, is considerably improved.



Compared with traditional nozzle, the Wide Angle Nozzle Fan distributes water more efficiently

ACCURINSE System

The HOBART ACCURINSE rinse technology uses a non-pressurized booster and a suction rinse booster pump that 'pulls' the hot water out of the boiler, different from traditional systems with pressurized boilers which 'push' external cold water into the boiler. With ACCURINSE the boiler does not receive cold water during the rinse, therefore the temperature of the rinse water remains constant. And this makes the rinse water consumption accurate and totally independent of flow pressure on site.



Energy Efficient Design Delivers Sustainability



HOBART continuously focuses on developing industry-leading energy efficient products to reduce CO2 emissions, contributes to environment protection. We have a world wide strong R&D system. Merging cutting-edge technology with deep industry expertise, our innovative machines deliver better wash results with less water consumption.



Full-area coverage large strainer

The large 2-piece stainless steel strainers can block most of the dirt particles and keep the washing solution long-lasting clean. Its wide surface makes it clogging-proof, which ensures a perfect wash result, and reduces needs of refilling to save operation cost.

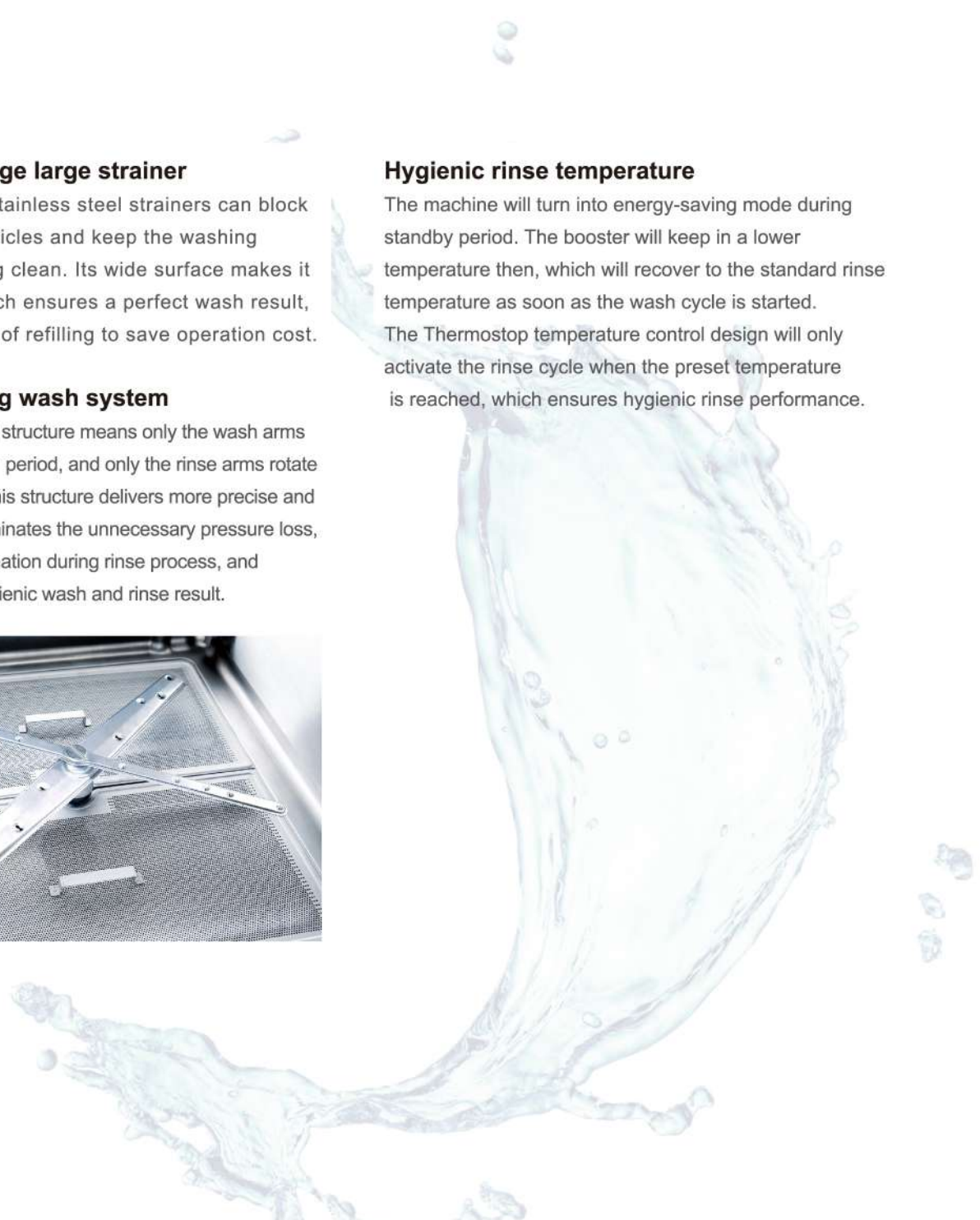
Separate rotating wash system

The Separate rotating structure means only the wash arms rotate during the wash period, and only the rinse arms rotate during rinse period. This structure delivers more precise and even water spray, eliminates the unnecessary pressure loss, avoids cross contamination during rinse process, and guarantees a fully hygienic wash and rinse result.



Hygienic rinse temperature

The machine will turn into energy-saving mode during standby period. The booster will keep in a lower temperature then, which will recover to the standard rinse temperature as soon as the wash cycle is started. The Thermostop temperature control design will only activate the rinse cycle when the preset temperature is reached, which ensures hygienic rinse performance.



EASY HANDLING

IOTRONIC touch key control

The upgraded IOTRONIC touch key control cover all functions that SMARTRONIC have.

Additional advantages:

- Touch key press- easier operation;
- Buzzer warning- end of washing cycle;
- Illegal door operation-red light & buzzer alarm;
- Add information button-power/water consumption & washing count of racks checking;

Color code button



Machine Standby



Machine Washing/Draining



Machine Error



Drawn tank and Hygeian chamber

The completely moulded wash tank is made out of one single SST material without edges and corners.

The hygeian designed wash chamber has no complicated hoses and structures, which reduces the dirt accumulation.

The wonderful features bring easy daily cleaning and reduce operator's workload.



Safe and reliable operation

Proven lifetime by heavy duty life test

The hood can be operated smoothly after 1,000,000 cycles of hood opening and closing.

The performance is consistently perfect after 500,000 continuous washing cycles.

Multiple security technologies

- The 'Stand By' hood design ensures the hood stay in any position without dropping, which prevents crushing hazards.
- Heating elements with safety protection avoid dry heating risk and reduce parts damage.
- The heater of booster has a overheat protector, which can be reset after dry heating. This really reduces cost, compared with changing the whole burnt parts.

Easy installation and maintenance

Easy installation

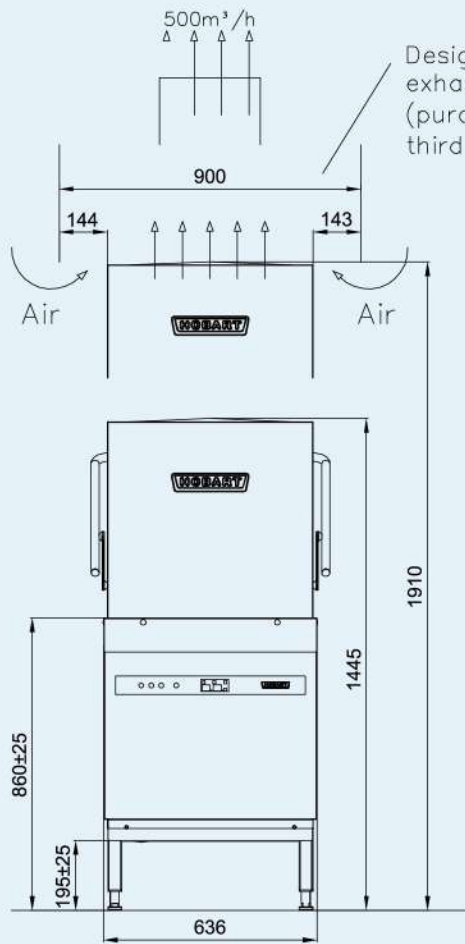
- Equipped with water supply/drain hoses, electrical cable, rinse pump. No special tools or parts required for installation.
- Less requirements for inlet water pressure (0.5-6bar) and temperature (10-60 °C).

Easy maintenance

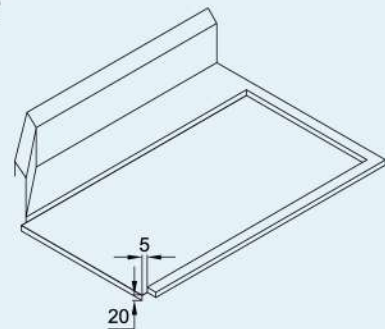
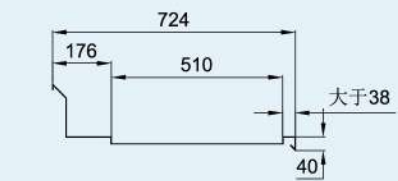
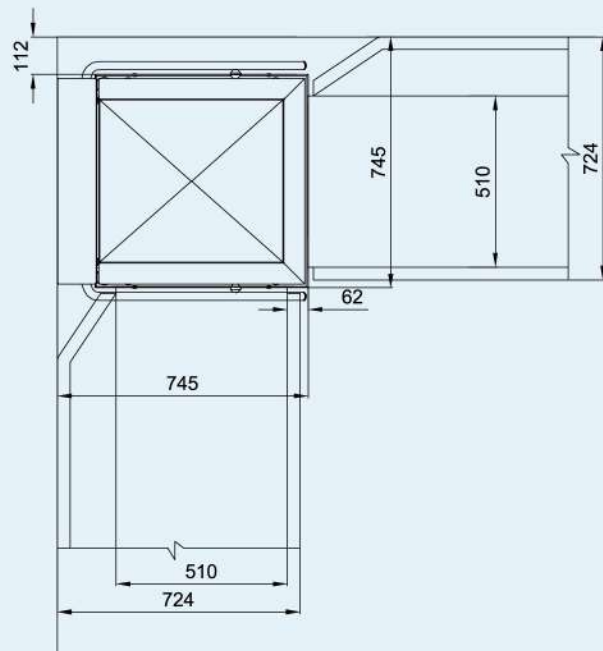
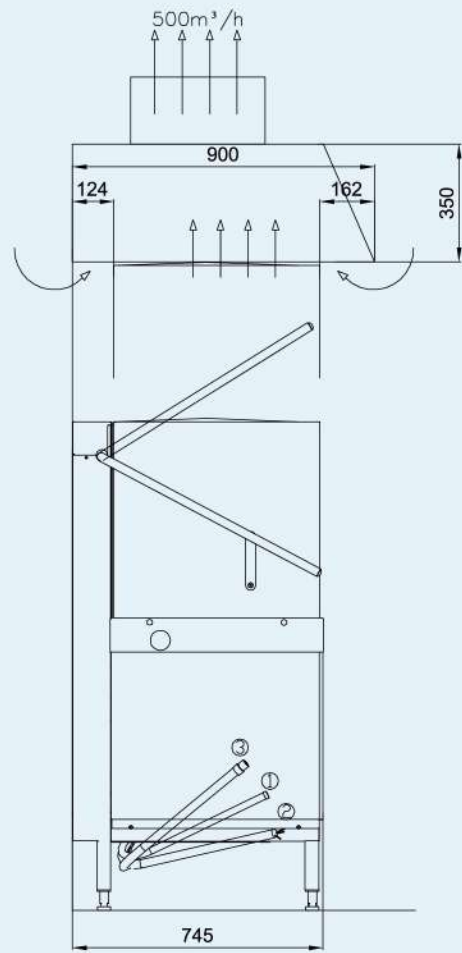
- 90% maintenance can be served in the front, which minimizes the needs to move the machine for inspection.
- The control system with alerting and fault diagnosis makes the maintenance simple and intuitive.

TECHNICAL DATA		UNIT	AM650		
Wash	Wash capacity	rack/hour	60	40	20
	Cycle times	s	60	90	180
	Wash temperature	°C	65 ~ 75		
	Rinse temperature	°C	82 ~ 90		
Water	Water consumption	L	2.5		
	Wash tank volume	L	26		
	Water inlet pressure	bar	0.5 ~ 6		
	Water inlet temperature	°C	10-60		
	Tank heating	kW	3		
Electric	Booster heating	kW	12		
	Wash pump	kW	0.6		
	Total loading	kW/A	15.7/36.5	15.7/49.7	
	Power supply	V/Hz/Ph	380/50/3	220/60/3	
Equipment	Rack size	mm	500x500		
	Loading height	mm	420		
	Dimensions (WxDxH)	mm	636×745×1445		
	Rinse pump		Standard equipped		





Design example for
exhaust hood
(purchase from
third party)



THE COMPANY

HOBART is the world market leader in commercial warewashing technology and renowned manufacturer of cooking, food preparation, refrigeration, and environmental technology. Established 1897 in Troy, Ohio, HOBART today employs more than 6,500 employees around the world. At our manufacturing plant in Offenburg, Germany, HOBART develops, produces, and distributes warewashing technology worldwide. Internationally, gastronomy hotels canteens, bakeries and butcher shops, supermarkets, airlines and cruise ships swear by our innovative products, which are considered to be economical and ecological market leaders.

OUR VISION - WASH WITHOUT WATER

Intensive market research has shown, that our customers expect warewashing technology that combines efficiency with optimal performance. We hold ourselves to these claims, and they form the foundation for our vision of „washing without water“. This vision is our continuous incentive to walk on new paths in order to constantly reduce the water, energy and chemical consumption. Step by step, we would like to come closer to our goal with innovative excellence, and we already know: Whenever the first machine will be capable of washing without water - it will be a HOBART.

OUR FOCUS INNOVATIVE - ECONOMICAL - ECOLOGICAL

This is our philosophy. To us, innovation means continuously setting new standards in technology, combined with real added value for the customer. An enterpriseowned technological centre and an innovation centre for warewashing technology at our headquarters in Germany make this possible. Highly efficient products are created with bundled innovation, which continuously confirm our status as technological leader. To be economical means to set standards in relation to the lowest operating costs and minimal use of resources, and to revolutionise the market continuously. To be ecological means a responsible handling of resources and a sustainable energy policy. This applies not only to the product in use, but in general to all areas of the organisation, such as purchasing or manufacturing.

A large, stylized blue number '1' with a gradient effect, positioned on the left side of the page.A large, stylized blue number '2' with a gradient effect, positioned on the right side of the page.



A registered trademark of HOBART GmbH
Member of the ITW Food Equipment Group

ITW FEG (HK) Ltd
HongKong
Tel:+852-2341 9315

Hobart (Japan) K.K
Tokyo, Japan
Tel:+81-3-5767 8670

Hobart Intgernational (S) Pte Ltd
Singapore
Tel:+65-6846 7117

Hobart Korea LLC
Seoul, Korea
Tel:+82-2-3443 6901

ITW India Pvt. Ltd.
Gurgaon, India
Tel: +91-9818004147

Hobart (Thailand)
Bangkok, Thailand
Tel:+66-2-675 6279

www.hobartchina.com